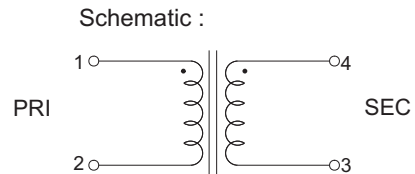
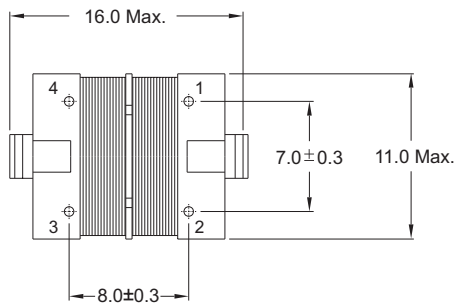
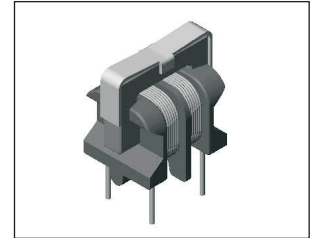
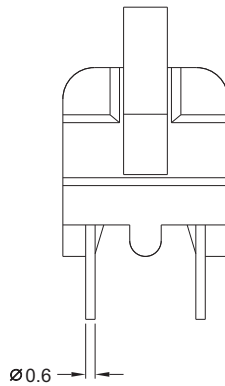
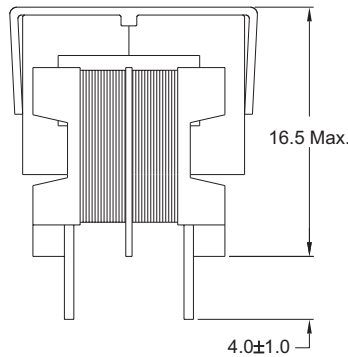


Common Chokes

EMI Common-Mode Suppression Inductors

LFU09V Type

Mechanical Dimension: Unit: mm



Electrical Characteristics:

■ AT 25°C, 40KHz/1V Tested:

PART NO.	INDUCTANCE (mH) MIN	DCR (Ω) MAX	RATED CURRENT (Aac)	TEMPERATURE RISE (°C) MAX
LFU09V01	43.2	14.5	0.1	45
LFU09V02	14.4	5.42	0.2	45
LFU09V03	7.2	2.47	0.3	45
LFU09V04	4.3	1.47	0.4	45
LFU09V05	3.3	1.16	0.5	45
LFU09V06	1.8	0.67	0.6	45
LFU09V07	1.4	0.50	0.7	45
LFU09V08	1.2	0.37	0.8	45
LFU09V09	0.9	0.31	0.9	45
LFU09V10	0.7	0.26	1.0	45

* WITHSTANDING VOLTAGE BETWEEN L1 & L2 1.5KV 1 MINUTE
* GOOD DIFFERENCE IN WINDING L1 & L2 INDUCTANCE



DELTA ELECTRONICS, INC.

(TAOYUAN PLANT CPBG) 252, SAN YING ROAD, KUEISAN INDUSTRIAL ZONE, TAOYUAN SHIEN, 333, TAIWAN, R.O.C.

TEL: 886-3-3591968; FAX: 886-3-3591991

<http://www.deltaww.com>