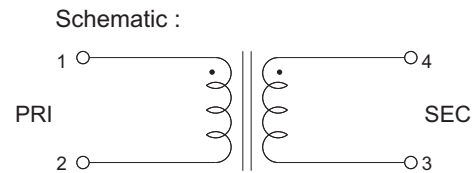
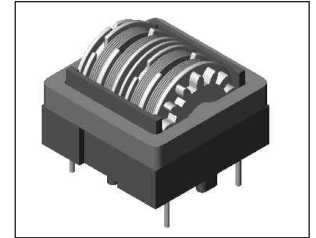
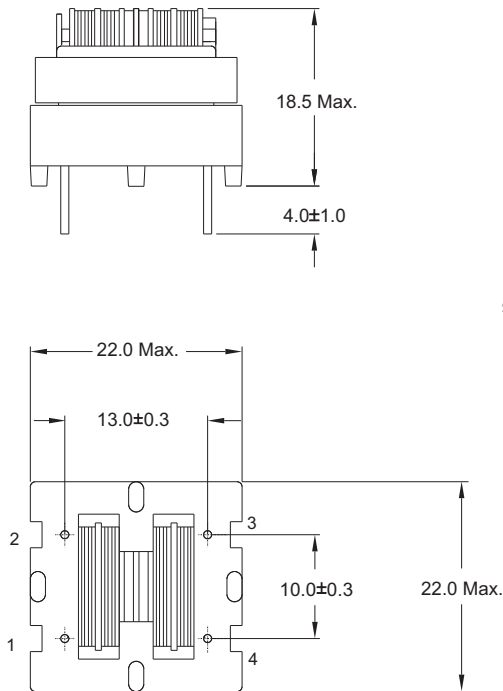


# Common Chokes

## EMI Common-Mode Suppression Inductors

### LFZ20H Type

Mechanical Dimension: Unit: mm



### Electrical Characteristics:

■ AT 25°C, 40KHz/1V Tested:

| PART NO. | INDUCTANCE (mH) MIN | DCR (mΩ) MAX | RATED CURRENT (Aac) | TEMPERATURE RISE (°C) MAX |
|----------|---------------------|--------------|---------------------|---------------------------|
| LFZ20H01 | 47.0                | 2870         | 0.30                | 45                        |
| LFZ20H02 | 31.0                | 1890         | 0.40                | 45                        |
| LFZ20H03 | 23.0                | 1400         | 0.50                | 45                        |
| LFZ20H04 | 19.0                | 1110         | 0.55                | 45                        |
| LFZ20H05 | 15.0                | 990          | 0.60                | 45                        |
| LFZ20H06 | 13.0                | 745          | 0.70                | 45                        |
| LFZ20H07 | 10.0                | 580          | 0.80                | 45                        |
| LFZ20H08 | 7.0                 | 410          | 0.90                | 45                        |
| LFZ20H09 | 5.6                 | 330          | 1.10                | 45                        |
| LFZ20H10 | 4.4                 | 255          | 1.30                | 45                        |
| LFZ20H11 | 2.7                 | 155          | 1.70                | 45                        |
| LFZ20H12 | 1.8                 | 105          | 2.00                | 45                        |

\* WITHSTANDING VOLTAGE BETWEEN L1 & L2 1.5KV 1 MINUTE  
\* GOOD DIFFERENCE IN WINDING L1 & L2 INDUCTANCE



DELTA ELECTRONICS, INC.

(TAOYUAN PLANT CPBG) 252, SAN YING ROAD, KUEISAN INDUSTRIAL ZONE, TAOYUAN SHIEN, 333, TAIWAN, R.O.C.

TEL: 886-3-3591968; FAX: 886-3-3591991

<http://www.deltaww.com>