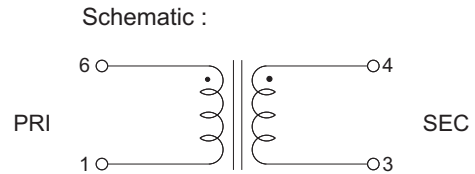
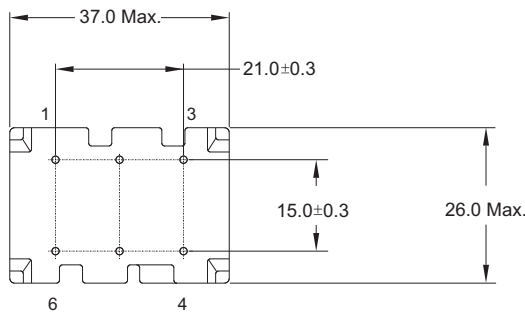
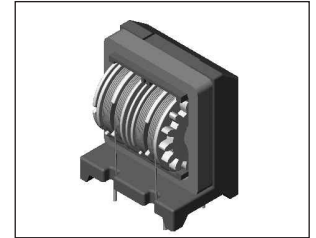
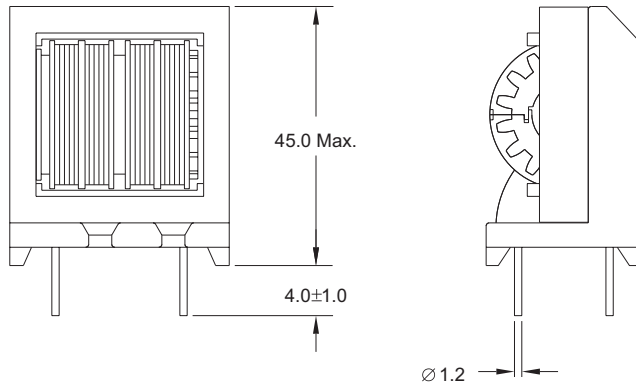


Common Chokes

EMI Common-Mode Suppression Inductors

LFZ35V Type

Mechanical Dimension: Unit: mm



Electrical Characteristics:

■ AT 25°C, 40KHz/1V Tested:

PART NO.	INDUCTANCE (mH) MIN	DCR (mΩ) MAX	RATED CURRENT (Aac)	TEMPERATURE RISE (°C) MAX
LFZ35V01	48.0	590	1.1	45
LFZ35V02	34.0	416	1.4	45
LFZ35V03	29.0	320	1.6	45
LFZ35V04	18.0	220	2.0	45
LFZ35V05	13.0	147	2.5	45
LFZ35V06	8.3	96	3.0	45
LFZ35V07	5.2	77	3.5	45
LFZ35V08	4.4	55	4.0	45
LFZ35V09	3.3	47	4.3	45
LFZ35V10	2.7	36	5.0	45

* WITHSTANDING VOLTAGE BETWEEN L1 & L2 1.5KV 1 MINUTE
* GOOD DIFFERENCE IN WINDING L1 & L2 INDUCTANCE



DELTA ELECTRONICS, INC.

(TAOYUAN PLANT CPBG) 252, SAN YING ROAD, KUEISAN INDUSTRIAL ZONE, TAOYUAN SHIEN, 333, TAIWAN, R.O.C.

TEL: 886-3-3591968; FAX: 886-3-3591991

<http://www.deltaww.com>