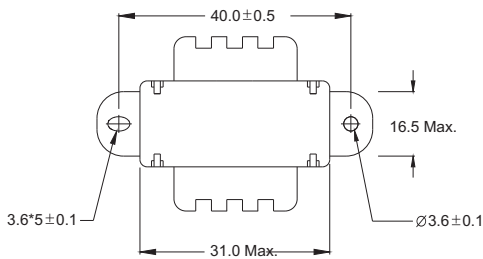
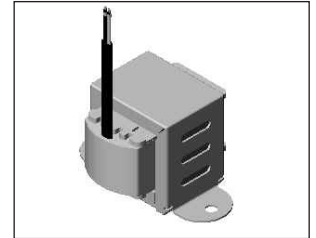
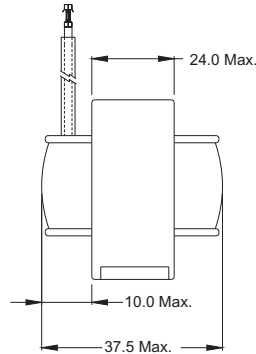
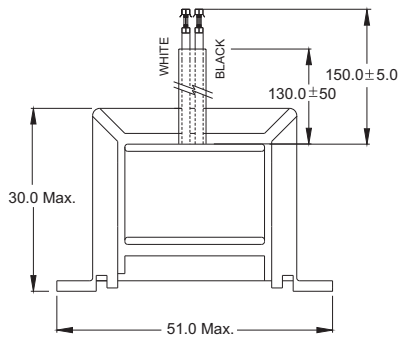


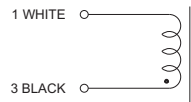
PFC Chokes for Power Supply

PFC2820V Series

Mechanical Dimension: Unit: mm



Schematic :



Features

- Harmonics current regulation
- Low leakage flux suitable for power supply

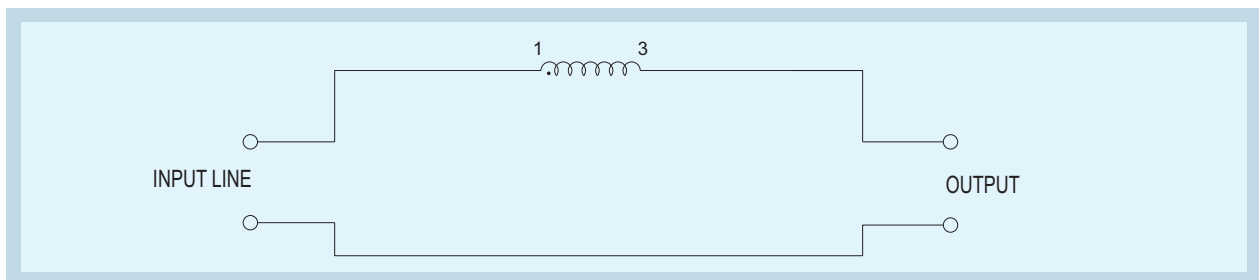
The PFC (Power Factor Corrector) chokes is suitable for power supply. It is applied to regulate the harmonics current and raise the power factor.

Electrical Characteristics

- AT 25°C, 60Hz/1V

| PART NO. | INDUCTANCE (mH) Min. 230V INPUT | DCR (Ω) Max. | INPUT POWER (reference) | WITHOUT FAN | | WITH FAN | |
|------------|---------------------------------|--------------|-------------------------|----------------------|----------------------------|----------------------|----------------------------|
| | | | | RATED CURRENT (Arms) | TEMPERATURE RISE (°C) Max. | RATED CURRENT (Arms) | TEMPERATURE RISE (°C) Max. |
| PFC2820V01 | 59.0 | 4.7 | 160W | 0.80 | 55 | 0.96 | 55 |
| PFC2820V02 | 60.5 | 5.0 | 180W | 0.85 | 55 | 1.02 | 55 |

Recommended Circuit



DELTA ELECTRONICS, INC.

(TAOYUAN PLANT CPBG) 252, SAN YING ROAD, KUEISAN INDUSTRIAL ZONE, TAOYUAN SHIEN, 333, TAIWAN, R.O.C.

TEL: 886-3-3591968; FAX: 886-3-3591991

<http://www.deltaww.com>