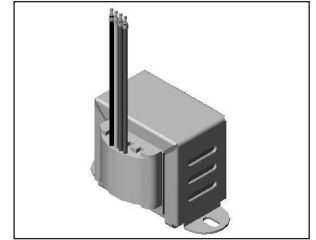
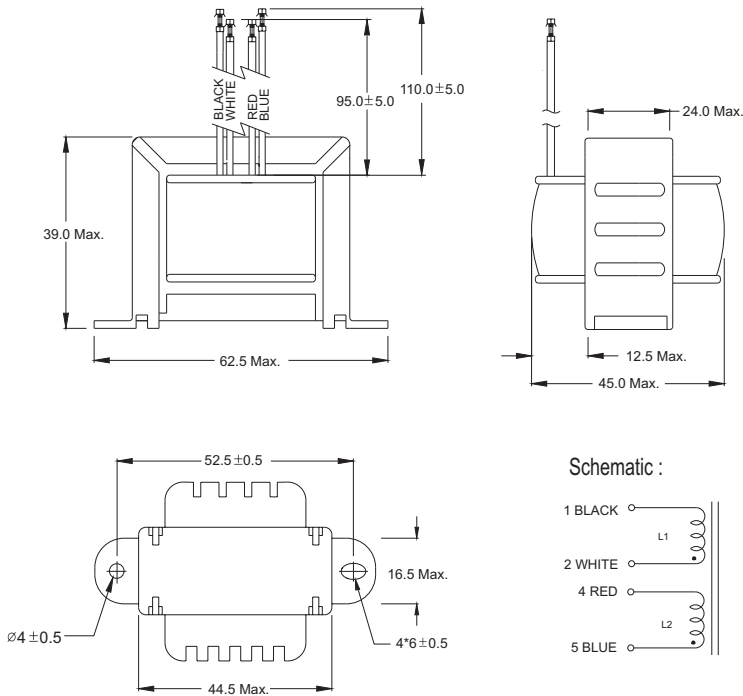


# PFC Chokes for Power Supply

## PFC4120V Series

Mechanical Dimension: Unit: mm



### Features

- Harmonics current regulation
- Low leakage flux suitable for power supply

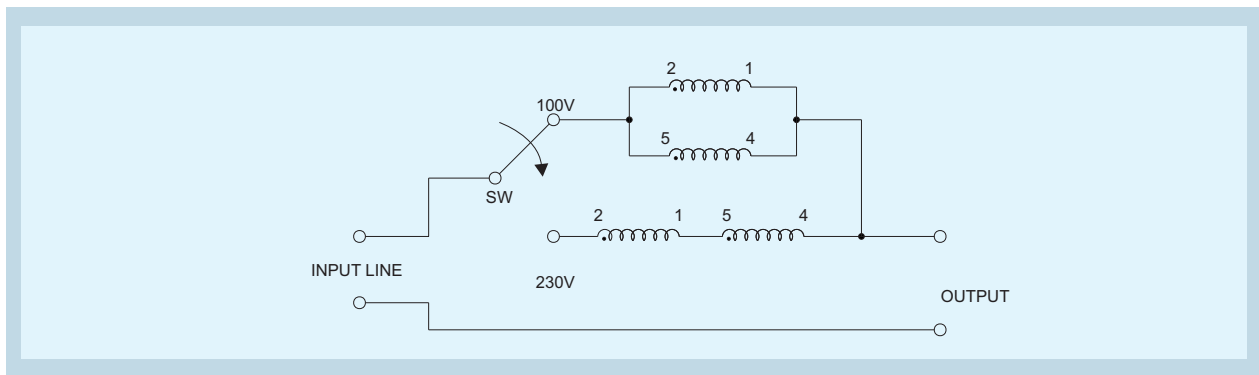
The PFC (Power Factor Corrector) chokes is suitable for power supply. It is applied to regulate the harmonics current and raise the power factor.

### Electrical Characteristics

- AT 25°C, 60Hz/1V

| PART NO.   | INDUCTANCE (mH) Min. |            | DCR (Ω) Max. | INPUT POWER (reference) | WITHOUT FAN          |            |                            | WITH FAN             |            |                            |
|------------|----------------------|------------|--------------|-------------------------|----------------------|------------|----------------------------|----------------------|------------|----------------------------|
|            | 100V INPUT           | 230V INPUT |              |                         | RATED CURRENT (Arms) |            | TEMPERATURE RISE (°C) Max. | RATED CURRENT (Arms) |            | TEMPERATURE RISE (°C) Max. |
|            |                      |            |              |                         | 100V INPUT           | 230V INPUT |                            | 100V INPUT           | 230V INPUT |                            |
| PFC4120V01 | 21                   | 98         | 3.8          | 195W                    | 1.6                  | 0.85       | 55                         | 1.92                 | 1.02       | 55                         |

### Recommended Circuit



DELTA ELECTRONICS, INC.

(TAOYUAN PLANT CPBG) 252, SAN YING ROAD, KUEISAN INDUSTRIAL ZONE, TAOYUAN SHIEN, 333, TAIWAN, R.O.C.

TEL: 886-3-3591968; FAX: 886-3-3591991

<http://www.deltaww.com>