

SPECIFICATION FOR APPROVAL



TO: _____

PART NO.		REV.		DELTA SAMPLE ISSUE NO	
PART NAME	EMI FILTER			DELTA MODEL	06GENW3E
ORDER P/N.	06GENW3E			SAMPLE ISSUE DATE	

1. ELECTRICAL CHARACTERISTICS:

1-1. VOLTAGE RATING 115/250VAC

1-2. CURRENT RATING

A. AT 115VAC 6 A RMS Max.

B. AT 250VAC 6 A RMS Max.

1-3. OPERATING FREQUENCY..... 50/60 Hz

1-4. LEAKAGE CURRENT: EACH LINE TO GROUND

A. @115VAC 60Hz 0.20 mA Max.

B. @250VAC 50Hz 0.40 mA Max.

1-5. HIPOT RATING (FOR ONE MINUTE)

A. LINE TO GROUND 2250VDC

B. LINE TO LINE 1450VDC

1-6. TEMPERATURE RANGE: -25 TO +100 DEGREE C

1-7. MINIMUM INSERTION LOSS IN dB: (AT 50 OHM SYSTEM)

FREQ. MHz	.01	.05	.10	.15	.50	1.0	5.0	10	30
COM. MODE dB	/	6	10	12	18	24	35	40	40
DIF. MODE dB	/	1	2	4	10	15	35	40	40

1-8. SAFETY



REPORT BY	CHECKED BY	APPROVED BY	3	
			2	
			REV.1	

DELTA ELECTRONICS, INC.

186 RUEY KUANG ROAD, NEIHU. TAIPEI 114,
TAIWAN, R.O.C.
TEL:886-2-87972088 FAX:886-2-87972120

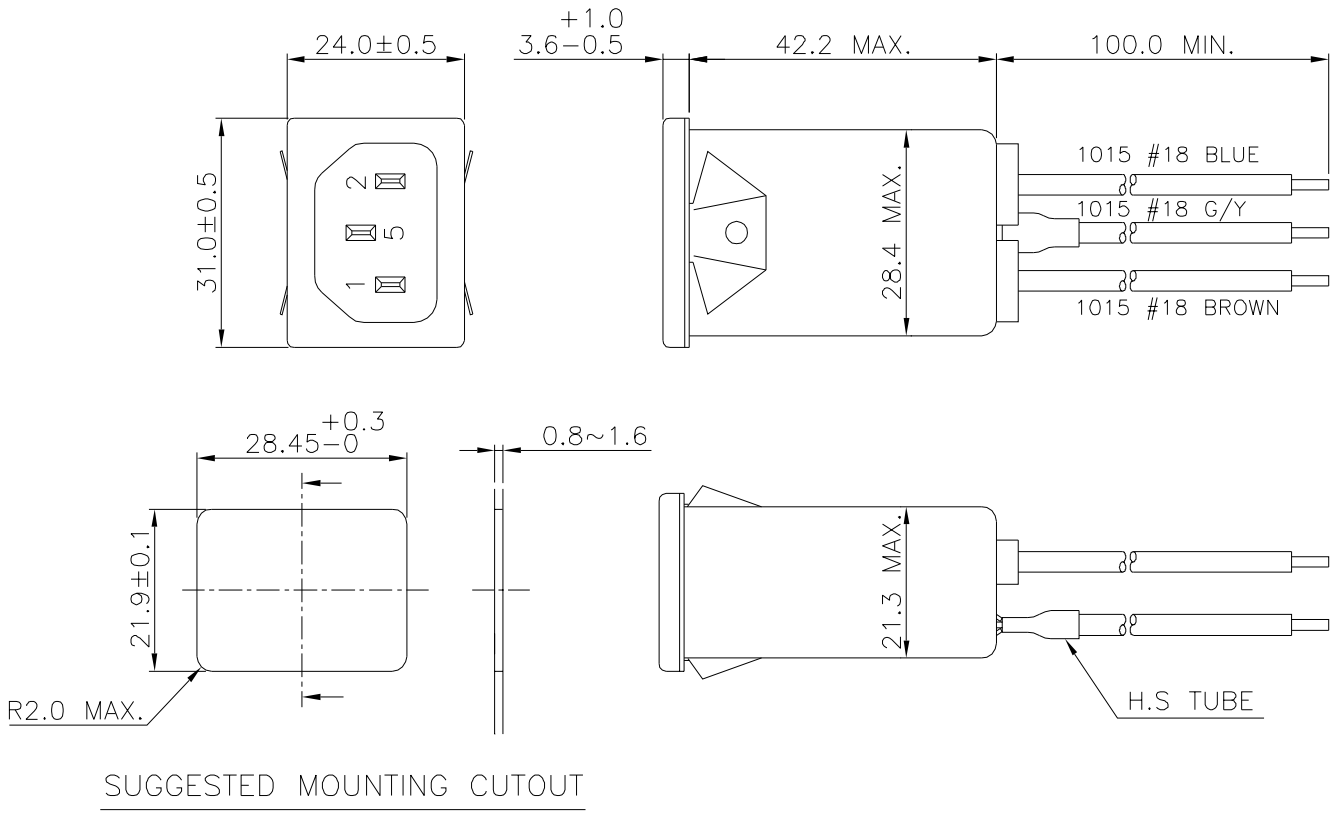
SPECIFICATION FOR APPROVAL



TO: _____

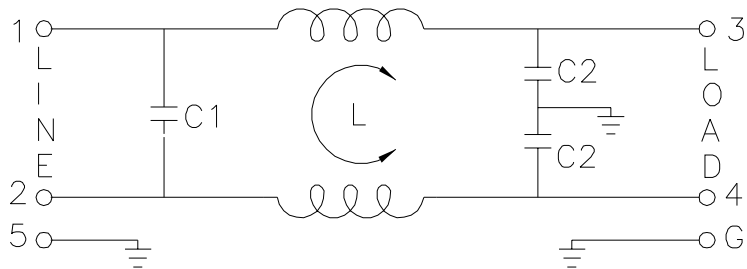
PART NO.		REV.		DELTA SAMPLE ISSUE NO	
PART NAME	EMI FILTER			DELTA MODEL	06GENW3E
ORDER P/N.	06GENW3E			SAMPLE ISSUE DATE	

2. PHYSICAL DIMENSIONS:



UNIT: mm

3. SCHEMATIC:



L: 0.8mH
C1: 0.1uF
C2: 2200pF

REPORT BY	CHECKED BY	APPROVED BY	UNLESS OTHERWISE SPECIFIED DIMENSION TOLERANCE DCEIMALS .X± .XX± ANGLES±		
			REV.		