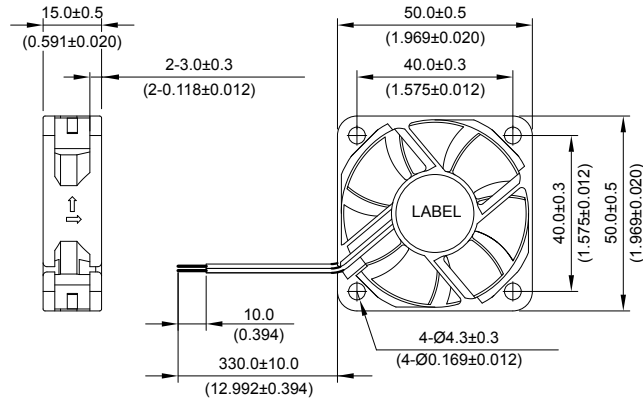


*New*



# AUB 50 x 50 x 15 MM SERIES

## ■ DIMENSIONS DRAWING

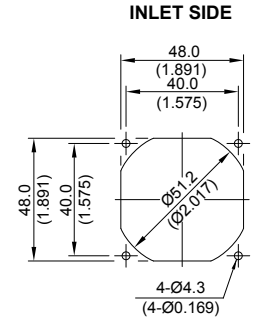
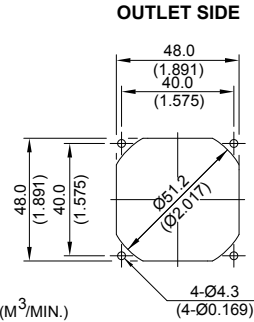
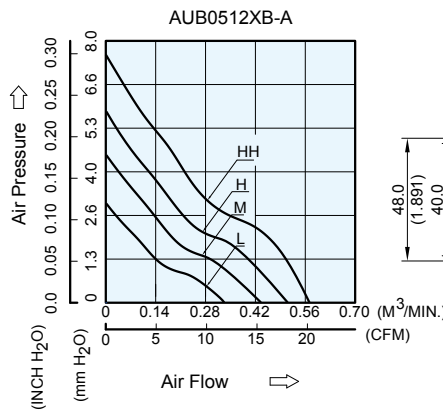


UNIT:  $\frac{\text{mm}}{\text{(INCH)}}$

- \* Bearing Type  
Superflo Bearing
- \* Material  
Impeller & Frame : Plastic (UL 94V-0)
- \* Lead Wires :  
UL 1007 AWG #28 OR Equivalent  
Red Wire Positive (+)  
Black Wire Negative(-)
- \* Weight : 20g (0.71 oz)
- \* Rib Type Only

## ■ P & Q CURVE (AT RATED VOLTAGE)

## ■ MOUNTING PANEL CUTOUT



UNIT:  $\frac{\text{mm}}{\text{(INCH)}}$

MODEL			Rated Voltage	Operating Voltage Range	Rated Current	Rated Input Power	Speed	Maximum Air Flow		Maximum Air Pressure		Noise
PART NO.	REV.	FUNCTION	VDC	VDC	Amp	Watt	R.P.M.	m <sup>3</sup> /min	CFM	mmH <sub>2</sub> O	IN H <sub>2</sub> O	dB-A
AUB0512LB	-A	-R00 / -F00	12	7.0 to 13.2	0.07	0.84	4300	0.330	11.67	3.03	0.119	24.0
AUB0512MB	-A	-R00 / -F00	12	7.0 to 13.2	0.10	1.20	5300	0.434	15.32	4.50	0.177	30.0
AUB0512HB	-A	-R00 / -F00	12	7.0 to 13.2	0.14	1.68	6300	0.509	17.97	5.84	0.230	34.0
AUB0512HHB	-A	-R00 / -F00	12	7.0 to 13.2	0.18	2.16	7400	0.572	20.22	7.58	0.299	38.5

\* Function type is optional.  
 \* The max. air flow and the speed are measured in free air ; max. air pressure is measured at zero air flow.  
 \* Noise is measured in anechoic chamber in free air, one meter from intake side.  
 \* All readings are typical values at rated voltage.  
 \* Specifications are subject to change without notice.