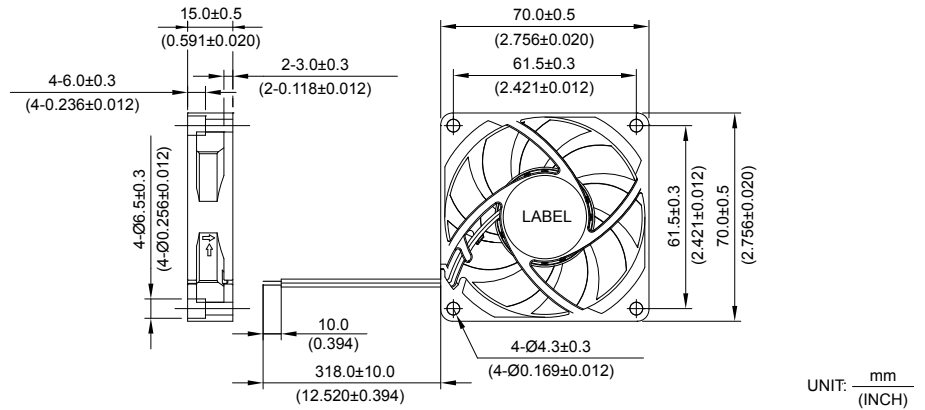


New



AUB 70 x 70 x 15 MM SERIES

■ DIMENSIONS DRAWING

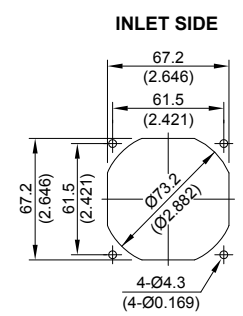
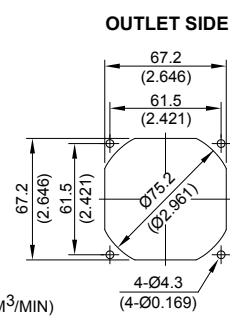
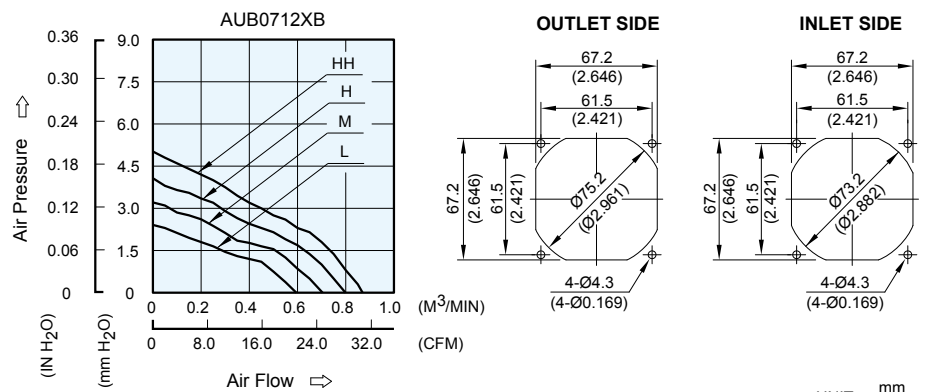


UNIT: $\frac{\text{mm}}{\text{(INCH)}}$

- * Bearing Type
Superflo Bearing
- * Material
Impeller & Frame : Plastic (UL 94V-0)
- * Lead Wires :
UL 1007 AWG #24 OR Equivalent
Red Wire Positive (+)
Black Wire Negative(-)
- * Weight : 47g (1.66 oz)
- * Rib Type Only

■ P & Q CURVE (AT RATED VOLTAGE)

■ MOUNTING PANEL CUTOUT



UNIT: $\frac{\text{mm}}{\text{(INCH)}}$

MODEL		Rated Voltage	Operating Voltage Range	Rated Current	Rated Input Power	Speed	Maximum Air Flow		Maximum Air Pressure		Noise
PART NO.	FUNCTION	VDC	VDC	Amp	Watt	R.P.M.	m ³ /min	CFM	mmH ₂ O	IN H ₂ O	dB-A
AUB0712LB	-R00 / -F00	12	4.0 to 13.2	0.07	0.84	3300	0.595	21.03	2.41	0.095	29.5
AUB0712MB	-R00 / -F00	12	4.0 to 13.2	0.10	1.20	3800	0.704	24.86	3.21	0.126	33.5
AUB0712HB	-R00 / -F00	12	4.0 to 13.2	0.12	1.44	4300	0.799	28.22	4.07	0.160	37.5
AUB0712HBB	-R00 / -F00	12	4.0 to 13.2	0.18	2.16	4800	0.870	30.69	5.02	0.198	41.0

* Function type is optional.
 * The max. air flow and the speed are measured in free air ; max. air pressure is measured at zero air flow.
 * Noise is measured in anechoic chamber in free air, one meter from intake side.
 * All readings are typical values at rated voltage.
 * Specifications are subject to change without notice.