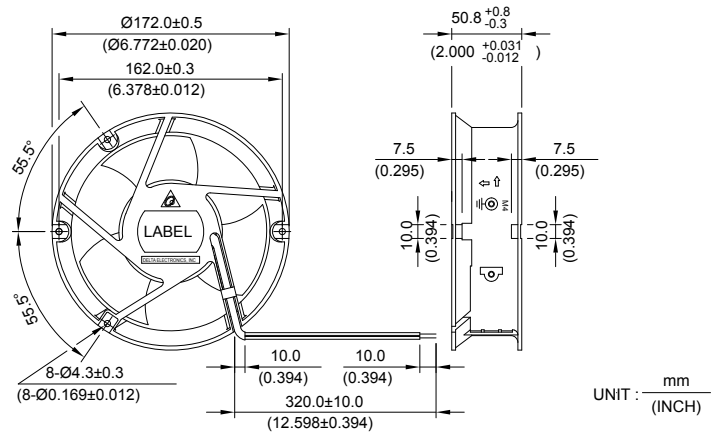


EFB $\phi 172 \times 50.8$ MM SERIES

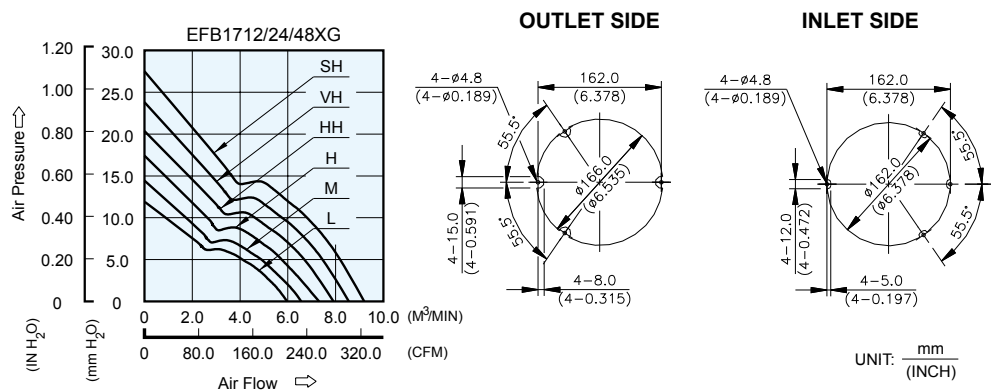
DIMENSIONS DRAWING



- * Bearing Type
Ball Bearings
- * Material
Impeller : Plastic (UL 94V-0)
Frame: Die-cast Aluminum
- * Lead Wires :
UL 1007 AWG #24 OR Equivalent
Red Wire Positive (+)
Black Wire Negative (-)
- * Weight : 840g (29.62 oz)

P & Q CURVE (AT RATED VOLTAGE)

MOUNTING PANEL CUTOUT



| MODEL | | Rated Voltage | Operating Voltage Range | Input Current | Input Power | Speed | Maximum Air Flow | | Maximum Air Pressure | | Noise |
|------------|-------------|---------------|-------------------------|---------------|-------------|--------|---------------------|--------|----------------------|---------------------|-------|
| PART NO. | FUNCTION | VDC | VDC | Amp | Watt | R.P.M. | m ³ /min | CFM | mmH ₂ O | IN H ₂ O | dB-A |
| EFB1712LG | -R00 / -F00 | 12 | 8.0 to 14.0 | 0.79 | 9.48 | 2800 | 5.950 | 210.12 | 11.90 | 0.469 | 48.0 |
| EFB1724LG | -R00 / -F00 | 24 | 12.0 to 28.0 | 0.39 | 9.36 | | | | | | |
| EFB1748LG | -R00 / -F00 | 48 | 24.0 to 60.0 | 0.19 | 9.12 | | | | | | |
| EFB1712MG | -R00 / -F00 | 12 | 8.0 to 14.0 | 0.99 | 11.88 | 3050 | 6.520 | 230.25 | 14.50 | 0.571 | 50.0 |
| EFB1724MG | -R00 / -F00 | 24 | 12.0 to 28.0 | 0.47 | 11.28 | | | | | | |
| EFB1748MG | -R00 / -F00 | 48 | 24.0 to 60.0 | 0.25 | 12.00 | | | | | | |
| EFB1712HG | -R00 / -F00 | 12 | 8.0 to 14.0 | 1.35 | 16.20 | 3350 | 7.130 | 251.79 | 17.49 | 0.689 | 53.0 |
| EFB1724HG | -R00 / -F00 | 24 | 12.0 to 28.0 | 0.56 | 13.44 | | | | | | |
| EFB1748HG | -R00 / -F00 | 48 | 24.0 to 60.0 | 0.31 | 14.88 | | | | | | |
| EFB1712HHG | -R00 / -F00 | 12 | 8.0 to 14.0 | 1.79 | 21.48 | 3700 | 7.920 | 279.69 | 20.30 | 0.800 | 55.0 |
| EFB1724HHG | -R00 / -F00 | 24 | 12.0 to 28.0 | 0.77 | 18.48 | | | | | | |
| EFB1748HHG | -R00 / -F00 | 48 | 24.0 to 60.0 | 0.38 | 18.24 | | | | | | |
| EFB1724VHG | -R00 / -F00 | 24 | 12.0 to 28.0 | 0.97 | 23.28 | 4000 | 8.560 | 302.29 | 23.80 | 0.937 | 57.0 |
| EFB1748VHG | -R00 / -F00 | 48 | 24.0 to 60.0 | 0.49 | 23.52 | | | | | | |
| EFB1724SHG | -R00 / -F00 | 24 | 24.0 to 60.0 | 1.17 | 28.08 | 4300 | 9.203 | 325.00 | 27.50 | 1.083 | 59.0 |

* Function type is optional.
 * The max. air flow and the speed are measured in free air ; max. air pressure is measured at zero air flow.
 * Noise is measured in anechoic chamber in free air, one meter from intake side.
 * All readings are typical values at rated voltage.
 * Specifications are subject to change without notice.