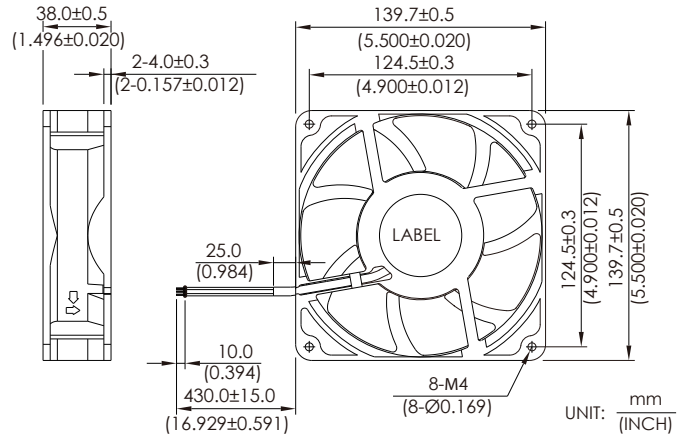


# TFA 140 x 140 x 38.0 MM SERIES

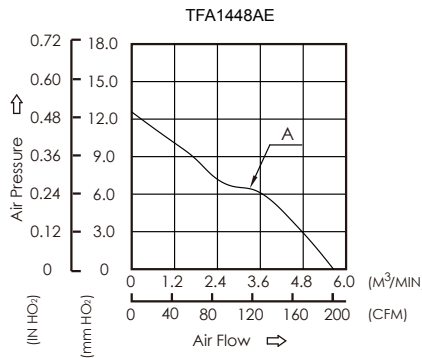
## ■ DIMENSIONS DRAWING



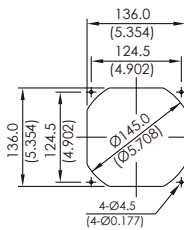
- \* Bearing Type  
Ball Bearings
- \* Material  
Impeller : Plastic (UL 94V-0)  
Frame : Die-cast Aluminum
- \* Lead Wires :  
UL 1430 AWG #24 OR Equivalent  
Red Wire Positive(+)  
Black Wire Negative (-)  
Blue Wire (F00)
- \* Weight : 530g (18.69 oz)

## ■ P & Q CURVE (AT RATED VOLTAGE)

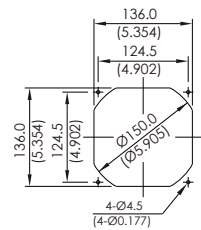
## ■ MOUNTING PANEL CUTOUT



### OUTLET SIDE



### INLET SIDE



UNIT: mm (INCH)

MODEL		Rated Voltage	Operating Voltage Range	Rated Current	Rated Input Power	Speed	Maximum Air Flow		Maximum Air Pressure		Noise
PART NO.	FUNCTION	VDC	VDC	Amp	Watt	R.P.M.	m <sup>3</sup> /min	CFM	mmH <sub>2</sub> O	IN H <sub>2</sub> O	dB-A
TFA1448AE	-F00	48	30.0 to 60.0	0.26	12.5	3100	5.63	198.90	12.95	0.51	52.0

- \* The max. air flow and the speed are measured in free air ; max. air pressure is measured at zero air flow.
- \* Noise is measured in anechoic chamber in free air, one meter from intake side.
- \* All readings are typical values at rated voltage.
- \* Specifications are subject to change without notice.