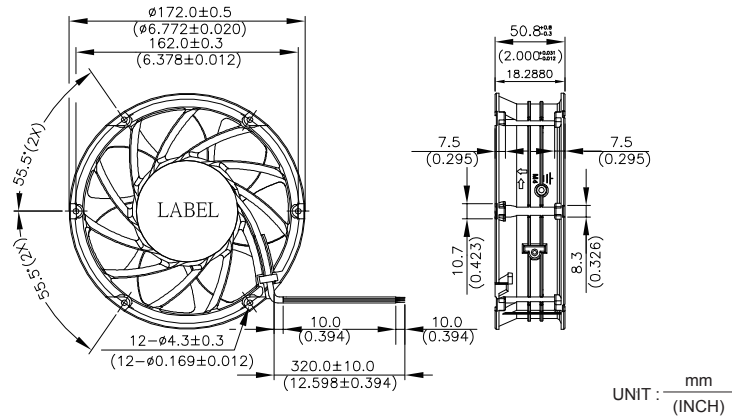


THB 172 x 172 x 50.8 MM SERIES

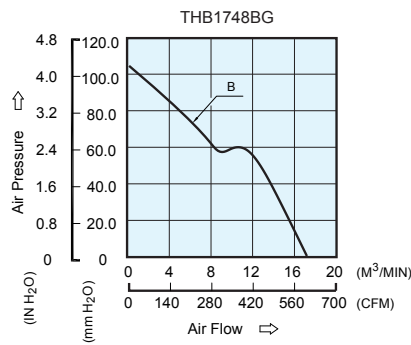
■ DIMENSIONS DRAWING



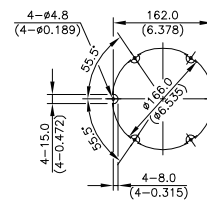
- * Bearing Type
Ball Bearings
- * Material
Impeller : Plastic (UL 94V-0)
Frame : Die-cast Aluminum
- * Lead Wires :
UL 1430 AWG #22 OR Equivalent
Red Wire Positive (+)
Black Wire Negative (-)
Blue Wire (F00)
Yellow Wire (PWM)
- * Weight : 920g (32.44 oz)

■ P & Q CURVE (AT RATED VOLTAGE)

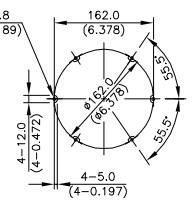
■ MOUNTING PANEL CUTOUT



OUTLET SIDE



INLET SIDE



UNIT : $\frac{\text{mm}}{\text{INCH}}$

MODEL		Rated Voltage	Operating Voltage Range	Rated Current	Rated Input Power	Speed (Front/Rear)	Maximum Air Flow		Maximum Air Pressure		Noise
PART NO.	FUNCTION	VDC	VDC	Amp	Watt	R.P.M.	m ³ /min	CFM	mmH ₂ O	IN H ₂ O	dB-A
THB1748BG	PWM/F00	48	36.0 to 56.0	3.50	168.00	8000	17.170	607.07	105.05	4.140	75.0

- * Function type is optional.
- * The max. air flow and the speed are measured in free air ; max. air pressure is measured at zero air flow.
- * Noise is measured in anechoic chamber in free air, one meter from intake side.
- * All readings are typical values at rated voltage.
- * Specifications are subject to change without notice.