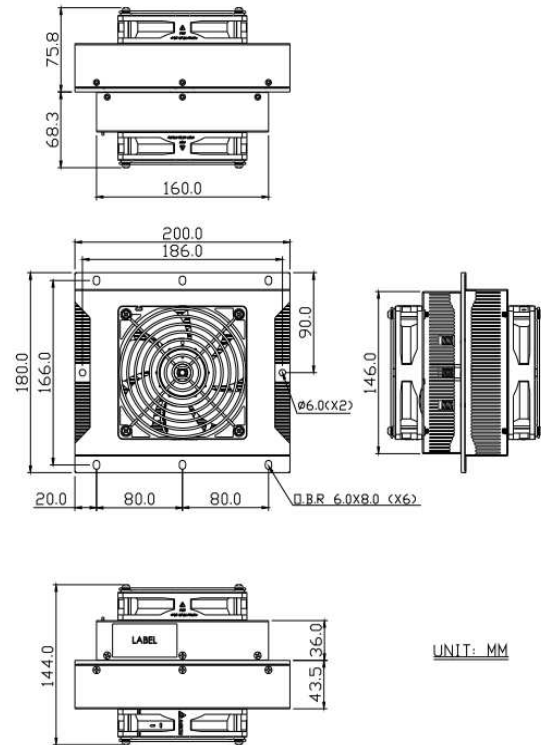


## HET100VA series



### Dimension drawing



### Design

- ◆ High efficiency of cooling and heating
- ◆ Thermal electric cooling modules
- ◆ Rated voltage at 24V
- ◆ Low Noise

Main feature	Unit	Specification
		HET100VA
Outline Dimension (H x W x D)	mm	200 x 180 x 144
Cooling capacity( $\Delta T = 0^{\circ} C$ )	W	100
Heating capacity @ $-40^{\circ} C$	W	112
Rated voltage	VDC	24(TYP.)
Operating current	A	5.9
Consumption	W	141(Max)
Operating voltage range	VDC	20 ~ 26
Operating temperature range	$^{\circ}C$	-40 ~ +55
Noise (1.0 meter)	dB-A	61.0(TYP.) 65.0(Max)
Weight	Kg (Lb)	3

\* Specifications are subject to change without notice.