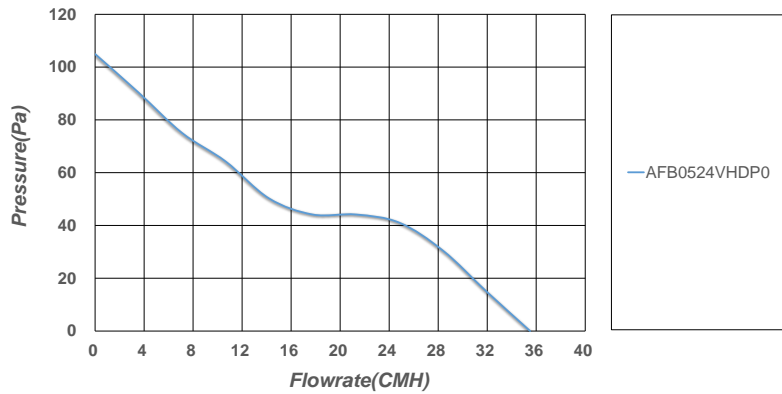
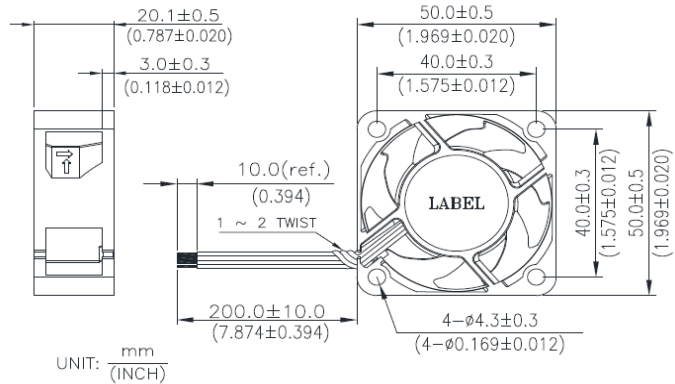


★ Airflow - Static Pressure Characteristics



20

★ Dimensions (unit: mm)



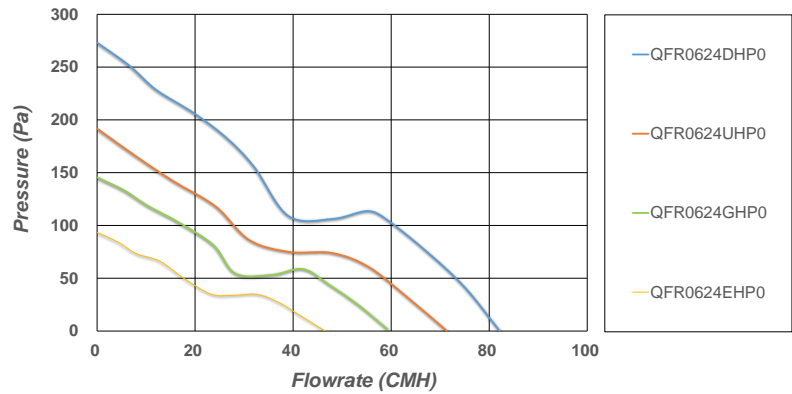
- ◆ Material:
  - Frame - Plastic, Impeller - Plastic
- ◆ Sound pressure level:
  - At 1 m away from the air inlet
- ◆ Storage temperature: -40°C ~ 70°C
- ◆ Lead wire: UL1007 AWG # 24 or equivalent
  - Red Wire Positive (+)
  - Black Wire Negative (-)
  - Blue Wire Frequency Generator Signal (F00)
  - Yellow Wire Control Signal (PWM)
- ◆ Mass: 177g

Size (mm)	Model	Rated Voltage (V)	Voltage Range (V)	Max. Speed (RPM)	Air Flow (CMH)	Pressure (Pa)	Power (W)	Noise (dBA)	IP	Signal	Operating temperature	Operating humidity	Life
50 x 50 x 20	AFB0524VHDP0	24	14.0 ~ 27.6	8500	35.52	104.93	1.92	39.5	---	F00/PWM	-10°C ~ 70°C	5% ~ 90% RH	70000 hrs/40°C



## QFR 60X60X25 MM SERIES

### ★ Airflow - Static Pressure Characteristics



#### ◆ Material:

Frame - Plastic, Impeller - Plastic

#### ◆ Sound pressure level:

At 1 m away from the air inlet

#### ◆ Storage temperature: -40°C ~ 70°C

#### ◆ Lead wire: UL1061 AWG # 26 or equivalent

Red Wire Positive (+)

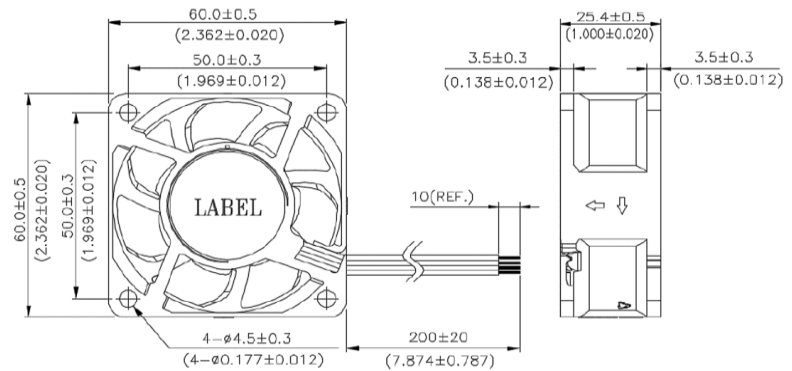
Black Wire Negative (-)

Blue Wire Frequency Generator Signal (F00)

Yellow Wire Control Signal (PWM)

#### ◆ Mass: 75g

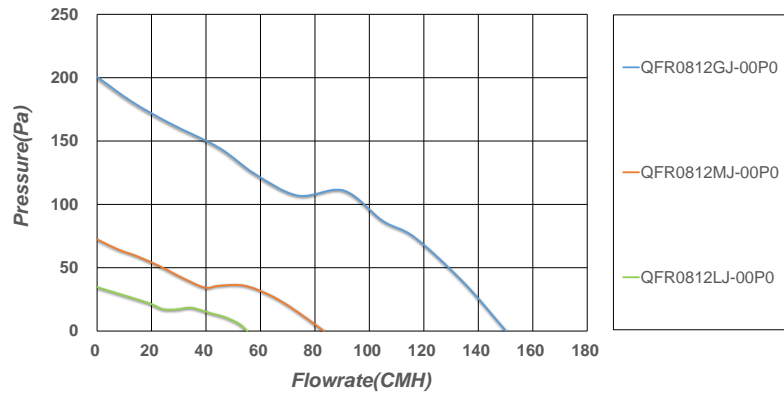
### ★ Dimensions (unit: mm)



Size (mm)	Model	Rated Voltage (V)	Voltage Range (V)	Max. Speed (RPM)	Air Flow (CMH)	Pressure (Pa)	Power (W)	Noise (dBA)	IP	Signal	Operating temperature	Operating humidity	Life
60 x 60 x 25	QFR0624DHP0	24	16.0 ~ 26.4	10600	84.12	259.70	8.40	55.0	---	F00/PWM	-10°C ~ 70°C	5% ~ 90% RH	40000 hrs/60°C
	QFR0624UHP0	24	16.0 ~ 26.4	9000	71.34	190.12	5.52	50.0	---	F00/PWM			40000 hrs/60°C
	QFR0624EHP0	24	16.0 ~ 26.4	7600	58.80	141.90	3.84	47.0	---	F00/PWM			40000 hrs/60°C
	QFR0624GHP0	24	16.0 ~ 26.4	6000	46.68	89.57	2.40	39.5	---	F00/PWM			40000 hrs/60°C

## QFR 80X80X25 MM SERIES

### ★ Airflow - Static Pressure Characteristics



◆ **Material:**

Frame - Plastic, Impeller - Plastic

◆ **Sound pressure level:**

At 1 m away from the air inlet

◆ **Storage temperature: -40°C ~ 70°C**

◆ **Lead wire: UL1007 AWG # 24 or equivalent**

Red Wire Positive (+)

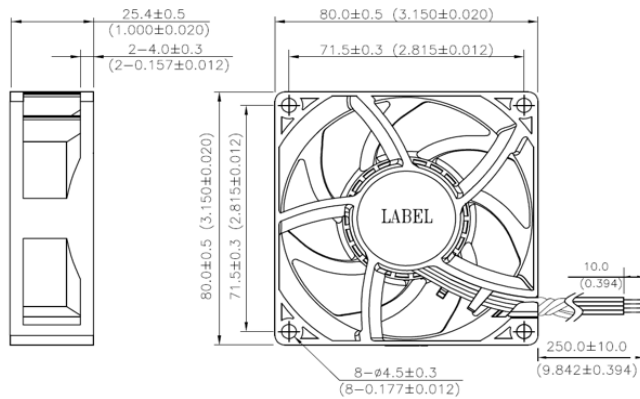
Black Wire Negative (-)

Blue Wire Frequency Generator Signal (F00)

Yellow Wire Control Signal (PWM)

◆ **Mass: 177g**

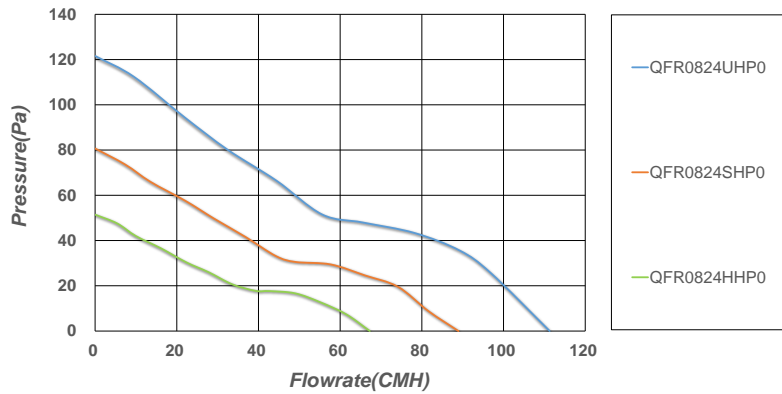
### ★ Dimensions (unit: mm)



Size (mm)	Model	Rated Voltage (V)	Voltage Range (V)	Max. Speed (RPM)	Air Flow (CMH)	Pressure (Pa)	Power (W)	Noise (dBA)	IP	Signal	Operating temperature	Operating humidity	Life
80 x 80 x 25	QFR0812GJ-00P0	12	7.0 ~ 13.8	8000	150.17	200.71	11.64	57.5	---	F00/PWM	-10°C ~ 70°C	5% ~ 90% RH	70000 hrs/40°C
	QFR0812MJ-00P0	12	7.0 ~ 13.8	4500	83.37	70.63	2.40	43.5	---	F00/PWM			70000 hrs/40°C
	QFR0812LJ-00P0	12	7.0 ~ 13.8	3150	56.88	35.31	1.20	31.5	---	F00/PWM			70000 hrs/40°C

## QFR 80X80X25 MM SERIES

### ★ Airflow - Static Pressure Characteristics



◆ Material:

Frame - Plastic, Impeller - Plastic

◆ Sound pressure level:

At 1 m away from the air inlet

◆ Storage temperature: -40°C ~ 70°C

◆ Lead wire: UL1007 AWG # 28 or equivalent

Red Wire Positive (+)

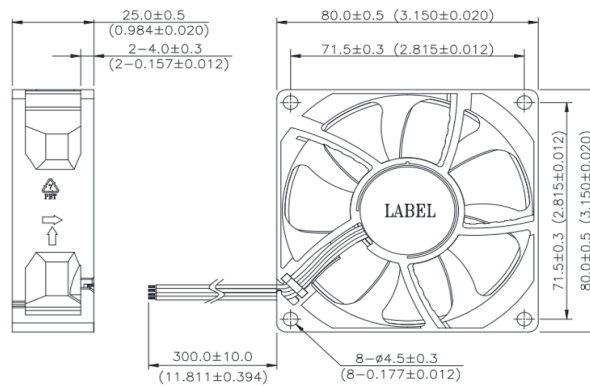
Black Wire Negative (-)

Blue Wire Frequency Generator Signal (F00)

Yellow Wire Control Signal (PWM)

◆ Mass: 88 g

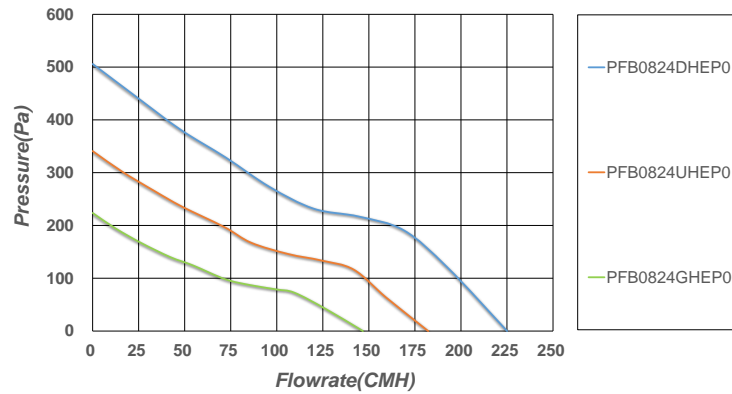
### ★ Dimensions (unit: mm)



Size (mm)	Model	Rated Voltage (V)	Voltage Range (V)	Max. Speed (RPM)	Air Flow (CMH)	Pressure (Pa)	Power (W)	Noise (dBA)	IP	Signal	Operating temperature	Operating humidity	Life
80 x 80 x 25	QFR0824UHP0	24	14.0 ~ 27.6	5400	111.30	121.60	5.52	50.0	---	F00/PWM	-10°C ~ 70°C	5% ~ 90% RH	70000 hrs/40°C
	QFR0824SHP0	24	14.0 ~ 27.6	4300	88.95	80.71	3.60	44.2	---	F00/PWM			70000 hrs/40°C
	QFR0824HHP0	24	14.0 ~ 27.6	3300	67.26	51.46	2.40	36.4	---	F00/PWM			70000 hrs/40°C

## PFB 80X80X38 MM SERIES

### ★ Airflow - Static Pressure Characteristics



◆ **Material:**

Frame - Plastic, Impeller - Plastic

◆ **Sound pressure level:**

At 1 m away from the air inlet

◆ **Storage temperature: -40°C ~ 75°C**

◆ **Lead wire: UL1061 AWG # 24 or equivalent**

Red Wire Positive (+)

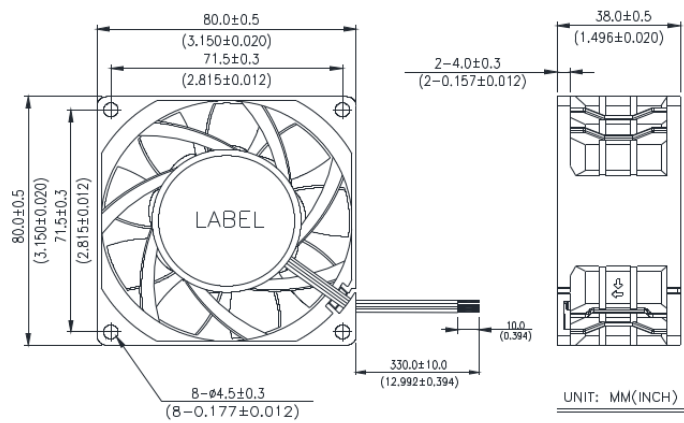
Black Wire Negative (-)

Blue Wire Frequency Generator Signal (F00)

Yellow Wire Control Signal (PWM)

◆ **Mass: 185g**

### ★ Dimensions

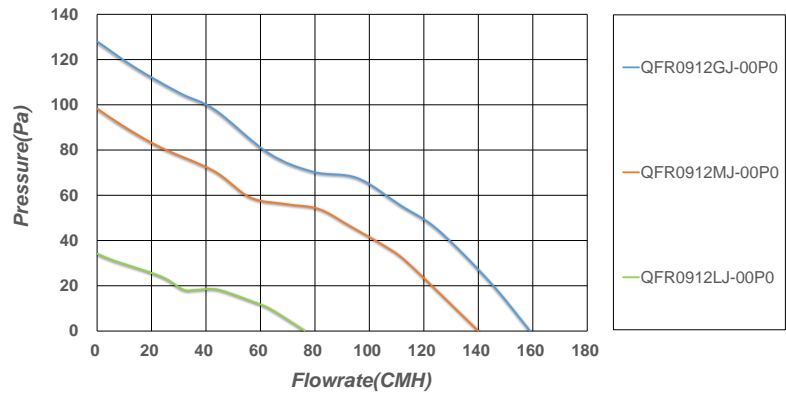


Size (mm)	Model	Rated Voltage (V)	Voltage Range (V)	Max. Speed (RPM)	Air Flow (CMH)	Pressure (Pa)	Power (W)	Noise (dBA)	IP	Signal	Operating temperature	Operating humidity	Life
80 x 80 x 38	PFB0824DHEP0	24	14.0 ~ 26.4	9000	225.09	505.90	30.24	65.0	---	F00/PWM	-10°C ~ 70°C	5% ~ 90% RH	70000 hrs/40°C
	PFB0824UHEP0	24	14.0 ~ 26.4	7500	182.20	340.90	18.48	61.0	---	F00/PWM			70000 hrs/40°C
	PFB0824GHEP0	24	14.0 ~ 26.4	6100	146.78	223.67	10.80	55.5	---	F00/PWM			70000 hrs/40°C



## QFR 92X92X25 MM SERIES

### ★ Airflow - Static Pressure Characteristics



#### ◆ Material:

Frame - Plastic, Impeller - Plastic

#### ◆ Sound pressure level:

At 1 m away from the air inlet

#### ◆ Storage temperature: -40°C ~ 85°C

#### ◆ Lead wire: UL1007 AWG # 24 or equivalent

Red Wire Positive (+)

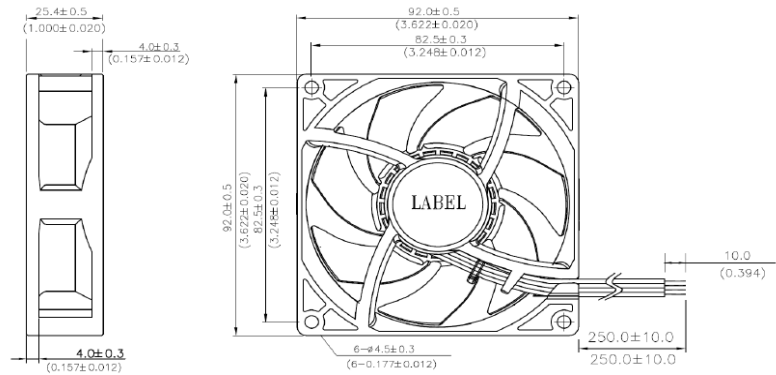
Black Wire Negative (-)

Blue Wire Frequency Generator Signal (F00)

Yellow Wire Control Signal (PWM)

#### ◆ Mass: 127g

### ★ Dimensions (unit: mm)



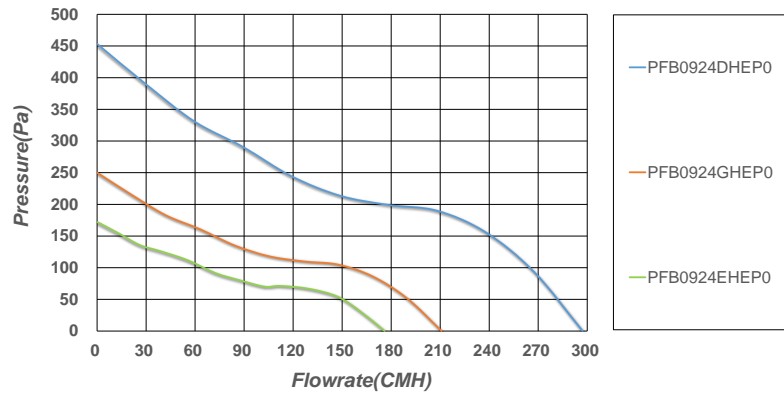
Size (mm)	Model	Rated Voltage (V)	Voltage Range (V)	Max. Speed (RPM)	Air Flow (CMH)	Pressure (Pa)	Power (W)	Noise (dBA)	IP	Signal	Operating temperature	Operating humidity	Life
92 x 92 x 25	QFR0912GJ-00P0	12	7.0 ~ 13.8	5600	159.04	128.02	8.52	51.0	---	F00/PWM	-10°C ~ 70°C	5% ~ 90% RH	70000 hrs/40°C
	QFR0912MJ-00P0	12	7.0 ~ 13.8	4700	140.00	98.394	5.16	47.5	---	F00/PWM			70000 hrs/40°C
	QFR0912LJ-00P0	12	7.0 ~ 13.8	2850	76.30	34.23	1.44	33.5	---	F00/PWM			70000 hrs/40°C



## PFB 92X92X38 MM SERIES



### ★ Airflow - Static Pressure Characteristics



#### ◆ Material:

Frame - Plastic, Impeller - Plastic

#### ◆ Sound pressure level:

At 1 m away from the air inlet

#### ◆ Storage temperature: -40°C ~ 75°C

#### ◆ Lead wire: UL1007 AWG # 24 or equivalent

Red Wire Positive (+)

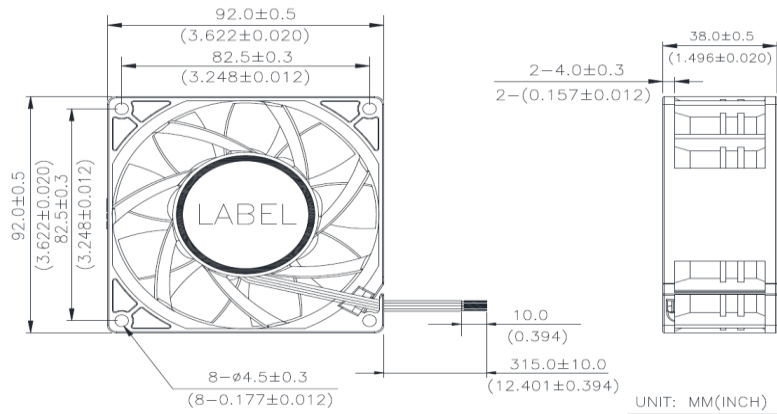
Black Wire Negative (-)

Blue Wire Frequency Generator Signal (F00)

Yellow Wire Control Signal (PWM)

#### ◆ Mass: 250g

### ★ Dimensions (unit: mm)

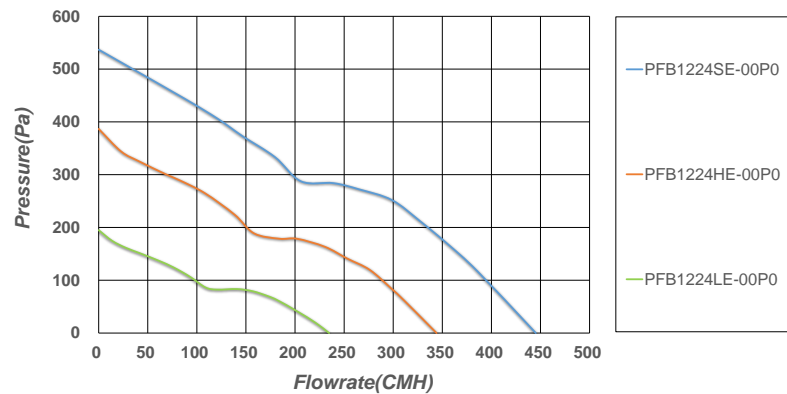


Size (mm)	Model	Rated Voltage (V)	Voltage Range (V)	Max. Speed (RPM)	Air Flow (CMH)	Pressure (Pa)	Power (W)	Noise (dBA)	IP	Signal	Operating temperature	Operating humidity	Life
92 x 92 x 38	PFB0924DHEP0	24	21.6 ~ 26.4	8000	297.20	453.32	34.80	66.5	---	F00/PWM	-10°C ~ 70°C	5% ~ 90% RH	70000 hrs/40°C
	PFB0924GHEP0	24	21.6 ~ 26.4	6000	210.87	250.06	15.12	60.5	---	F00/PWM			70000 hrs/40°C
	PFB0924EHEP0	24	21.6 ~ 26.4	4800	176.03	172.26	7.92	54.0	---	F00/PWM			70000 hrs/40°C



## PFB 120X8120X38 MM SERIES

### ★ Airflow - Static Pressure Characteristics



◆ Material:

Frame - Plastic, Impeller - Plastic

◆ Sound pressure level:

At 1 m away from the air inlet

◆ Storage temperature: -40°C ~ 70°C

◆ Lead wire: UL1007 AWG # 24 or equivalent

Red Wire Positive (+)

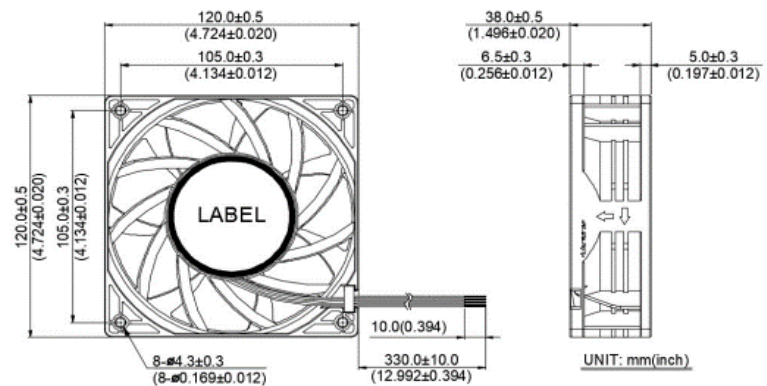
Black Wire Negative (-)

Blue Wire Frequency Generator Signal (F00)

Yellow Wire Control Signal (PWM)

◆ Mass: 380g

### ★ Dimensions (unit: mm)



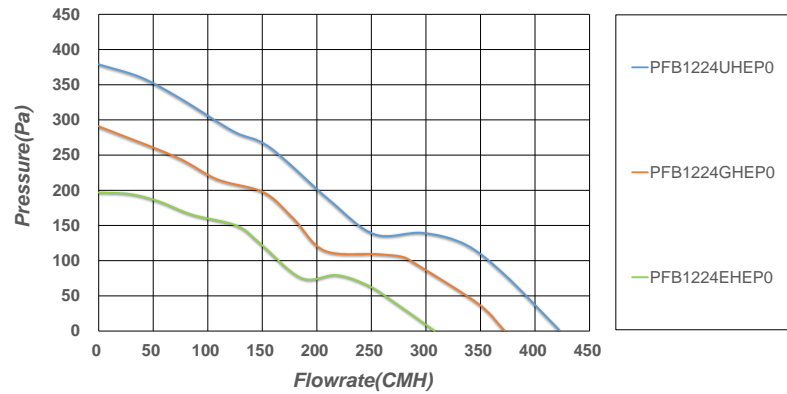
Size (mm)	Model	Rated Voltage (V)	Voltage Range (V)	Max. Speed (RPM)	Air Flow (CMH)	Pressure (Pa)	Power (W)	Noise (dBA)	IP	Signal	Operating temperature	Operating humidity	Life
120x120x38	PFB1224SE-00P0	24	14.0 ~ 27.6	7500	451.02	515.83	50.4	70	---	F00/PWM	-10°C ~ 70°C	5% ~ 90% RH	70000 hrs/40°C
	PFB1224HE-00P0	24	14.0 ~ 27.6	5800	342.24	368.797	24	65	---	F00/PWM			70000 hrs/40°C
	PFB1224LE-00P0	24	14.0 ~ 27.6	4000	239.4	190.79	10.8	57	---	F00/PWM			70000 hrs/40°C





## PFB120X120X38 MM SERIES

### ★ Airflow - Static Pressure Characteristics



#### ◆ Material:

Frame - Plastic, Impeller - Plastic

#### ◆ Sound pressure level:

At 1 m away from the air inlet

#### ◆ Storage temperature: -40°C ~ 75°C

#### ◆ Lead wire: UL1061 AWG # 22 or equivalent

Red Wire Positive (+)

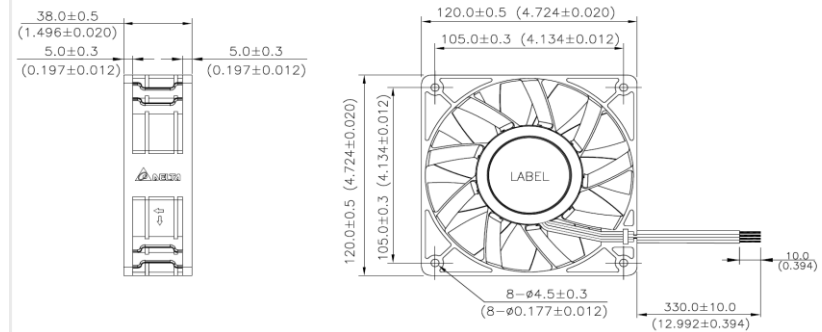
Black Wire Negative (-)

Blue Wire Frequency Generator Signal (F00)

Yellow Wire Control Signal (PWM)

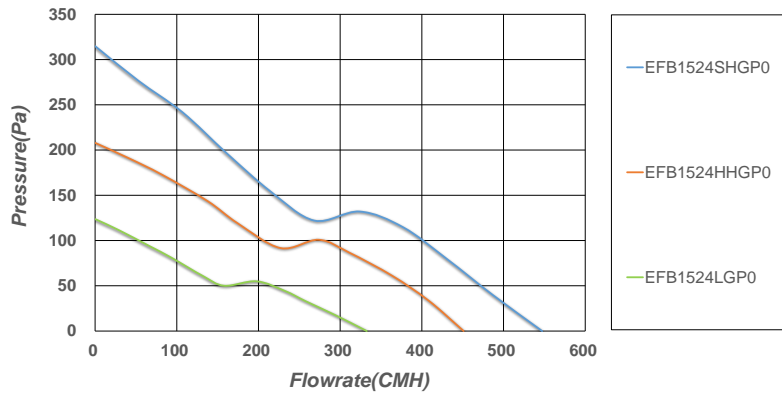
#### ◆ Mass: 380g

### ★ Dimensions (unit: mm)



Size (mm)	Model	Rated Voltage (V)	Voltage Range (V)	Max. Speed (RPM)	Air Flow (CMH)	Pressure (Pa)	Power (W)	Noise (dBA)	IP	Signal	Operating temperature	Operating humidity	Life
120x120x38	PFB1224UHEP0	24	21.6 - 26.4	5500	429.59	351.82	48.0	66.5	---	F00/PWM	-10°C ~ 70°C	15% ~ 65% RH	70000 hrs/40°C
	PFB1224GHEP0	24	21.6 - 26.4	4800	360.54	259.77	32.4	64.0	---	F00/PWM			70000 hrs/40°C
	PFB1224EHEP0	24	21.6 - 26.4	4000	307.97	187.10	21.6	59.0	---	F00/PWM			70000 hrs/40°C

★ Airflow - Static Pressure Characteristics



◆ Material:

Frame - Aluminum, Impeller - Plastic

◆ Sound pressure level:

At 1 m away from the air inlet

◆ Storage temperature: -40°C ~ 70°C

◆ Lead wire: UL1007 AWG # 24 or equivalent

Red Wire Positive (+)

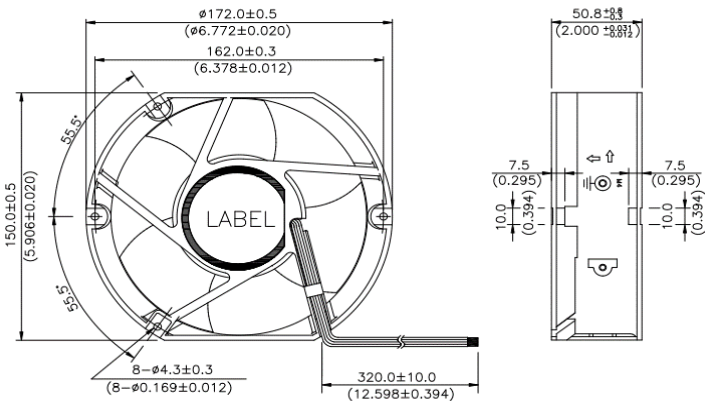
Black Wire Negative (-)

Blue Wire Frequency Generator Signal (F00)

Yellow Wire Control Signal (PWM)

◆ Mass: 840 g

★ Dimensions (unit: mm)

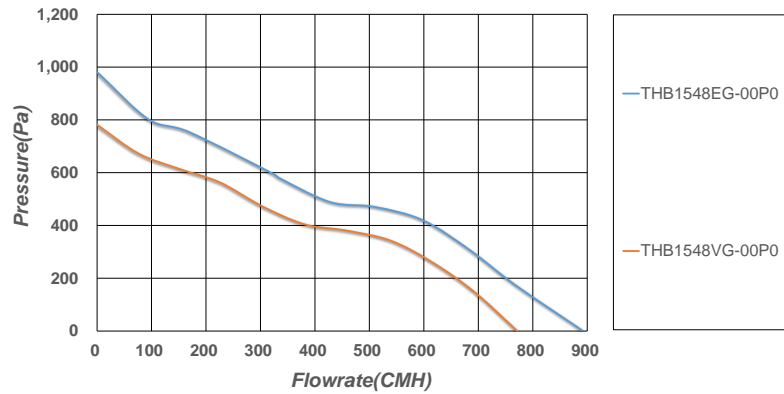


Size (mm)	Model	Rated Voltage (V)	Voltage Range (V)	Max. Speed (RPM)	Air Flow (CMH)	Pressure (Pa)	Power (W)	Noise (dBA)	IP	Signal	Operating temperature	Operating humidity	Life
72X150X50.8	EFB1524SHGP0	24	21.6 - 26.4	4500	547.20	314.90	37.2	62	---	F00/PWM	-10°C ~ 70°C	5% ~ 90% RH	70000 hrs/40°C
	EFB1524HHGP0	24	21.6 - 26.4	3700	451.10	202.80	21.6	59	---	F00/PWM			70000 hrs/40°C
	EFB1524LGP0	24	21.6 - 26.4	2800	332.58	123.76	12.0	52.3	---	F00/PWM			70000 hrs/40°C



## THB 172X150X50.8 MM SERIES

### ★ Airflow - Static Pressure Characteristics



◆ **Material:**

Frame - Die-cast aluminum, Impeller - Plastic

◆ **Sound pressure level:**

At 1 m away from the air inlet

◆ **Storage temperature: -40°C ~ 70°C**

◆ **Lead wire: UL1007 AWG # 24 or equivalent**

Red Wire Positive (+)

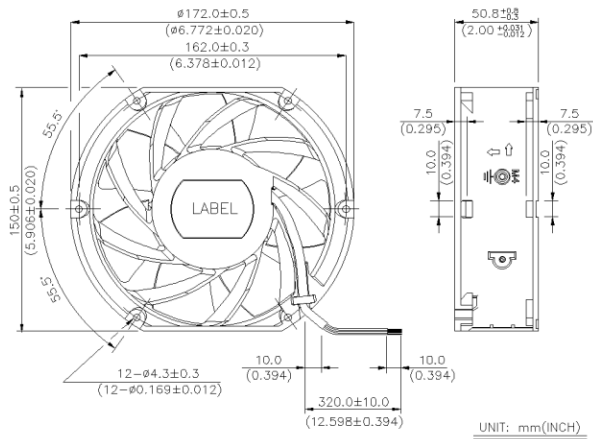
Black Wire Negative (-)

Blue Wire Frequency Generator Signal (F00)

Yellow Wire Control Signal (PWM)

◆ **Mass: 890g**

### ★ Dimensions (unit: mm)

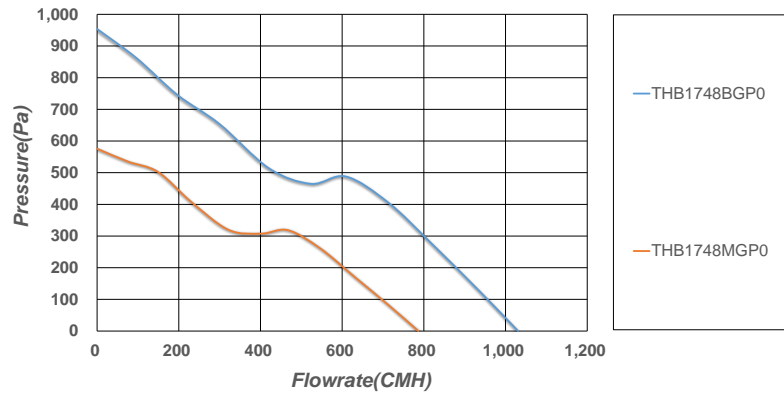


Size (mm)	Model	Rated Voltage (V)	Voltage Range (V)	Max. Speed (RPM)	Air Flow (CMH)	Pressure (Pa)	Power (W)	Noise (dBA)	IP	Signal	Operating temperature	Operating humidity	Life
172x150x50.8	THB1548EG-00P0	48	36.0 ~ 60.0	7500	890.38	981.39	151.2	78.5	---	F00/PWM	-10°C ~ 70°C	5% ~ 90% RH	70000 hrs/40°C
	THB1548VG-00P0	48	36.0 ~ 60.0	6500	771.66	781.66	96	75.4	---	F00/PWM			70000 hrs/40°C



## THB Ø172X50.8 MM SERIES

### ★ Airflow - Static Pressure Characteristics



#### ◆ Material:

Frame - Aluminum, Impeller - Plastic

#### ◆ Sound pressure level:

At 1 m away from the air inlet

#### ◆ Storage temperature: -40°C ~ 75°C

#### ◆ Lead wire: UL1430 AWG # 22 or equivalent

Red Wire Positive (+)

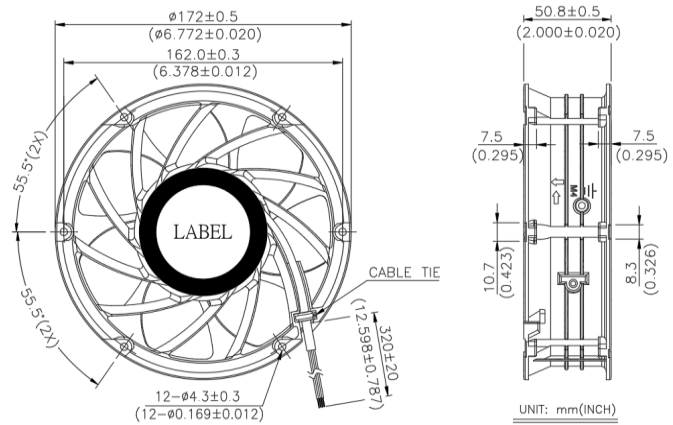
Black Wire Negative (-)

Blue Wire Frequency Generator Signal (F00)

Yellow Wire Control Signal (PWM)

#### ◆ Mass: 850g

### ★ Dimensions (unit: mm)

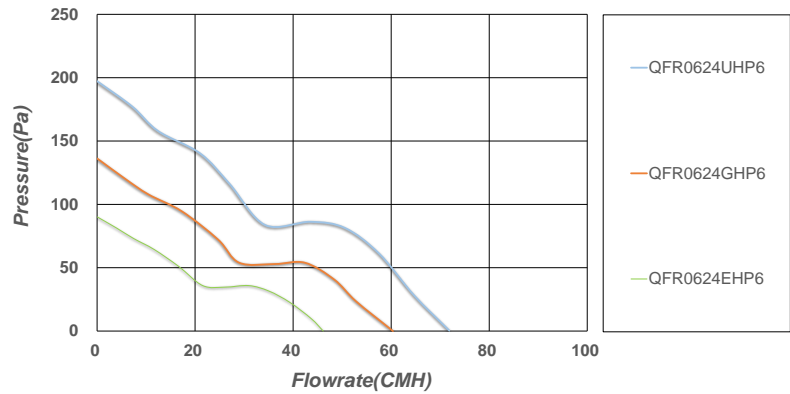


Size (mm)	Model	Rated Voltage (V)	Voltage Range (V)	Max. Speed (RPM)	Air Flow (CMH)	Pressure (Pa)	Power (W)	Noise (dBA)	IP	Signal	Operating temperature	Operating humidity	Life
Ø172X50.8	THB1748BGP6	48	36.0 ~ 60.0	8000	1030.80	953.92	163.20	77.5	---	F00/PWM	-10°C ~ 70°C	5% ~ 90% RH	70000 hrs/40°C
	THB1748MGP6	48	36.0 ~ 60.0	6100	786.77	575.85	79.20	70.5	---	F00/PWM			70000 hrs/40°C



## QFR 60X60X25 MM SERIES

### ★ Airflow - Static Pressure Characteristics



#### ◆ Material:

Frame - Plastic, Impeller - Plastic

#### ◆ Sound pressure level:

At 1 m away from the air inlet

#### ◆ Storage temperature: -40°C ~ 70°C

#### ◆ Lead wire: UL1061 AWG # 26 or equivalent

Red Wire Positive (+)

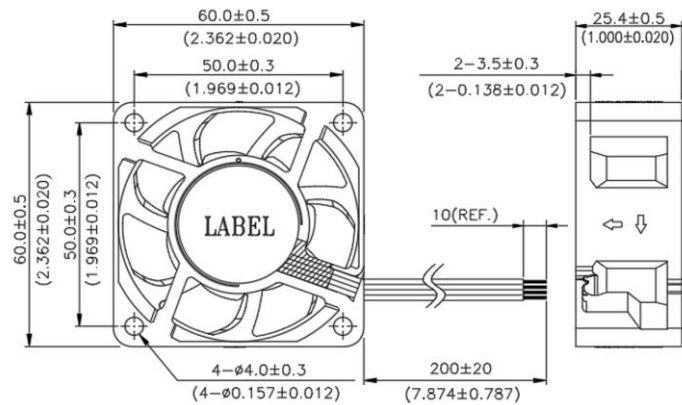
Black Wire Negative (-)

Blue Wire Frequency Generator Signal (F00)

Yellow Wire Control Signal (PWM)

#### ◆ Mass: 90g

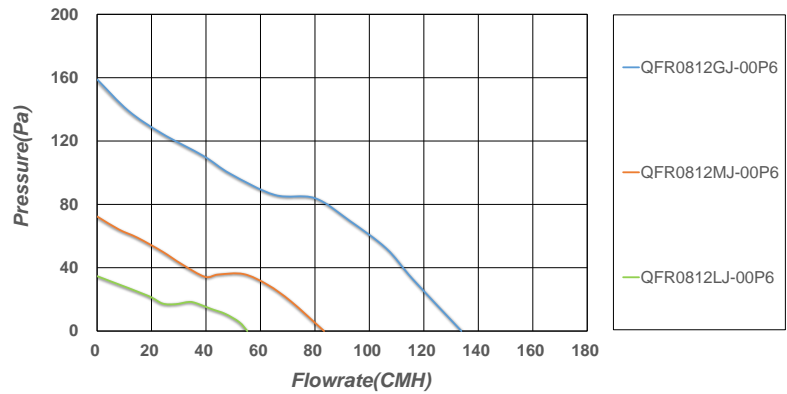
### ★ Dimensions (unit: mm)



Size (mm)	Model	Rated Voltage (V)	Voltage Range (V)	Max. Speed (RPM)	Air Flow (CMH)	Pressure (Pa)	Power (W)	Noise (dBA)	IP	Signal	Operating temperature	Operating humidity	Life
60 x 60 x 25	QFR0624UHP6	24	16.0 ~ 26.4	9000	70.2	184.63	6.24	50.0	IP68	F00/PWM	-10°C ~ 70°C	5% ~ 90% RH	40000 hrs/60°C
	QFR0624EHP6	24	16.0 ~ 26.4	7600	58.8	136.12	3.84	47.0	IP68	F00/PWM			40000 hrs/60°C
	QFR0624GHP6	24	16.0 ~ 26.4	6000	46.68	86.83	2.4	39.5	IP68	F00/PWM			40000 hrs/60°C

## QFR 80X80X25 MM SERIES

### ★ Airflow - Static Pressure Characteristics



#### ◆ Material:

Frame - Plastic, Impeller - Plastic

#### ◆ Sound pressure level:

At 1 m away from the air inlet

#### ◆ Storage temperature: -40°C ~ 85°C

#### ◆ Lead wire: UL1007 AWG # 24 or equivalent

Red Wire Positive (+)

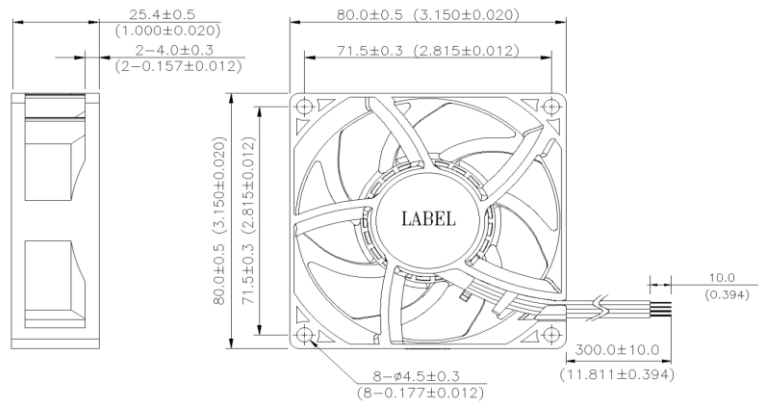
Black Wire Negative (-)

Blue Wire Frequency Generator Signal (F00)

Yellow Wire Control Signal (PWM)

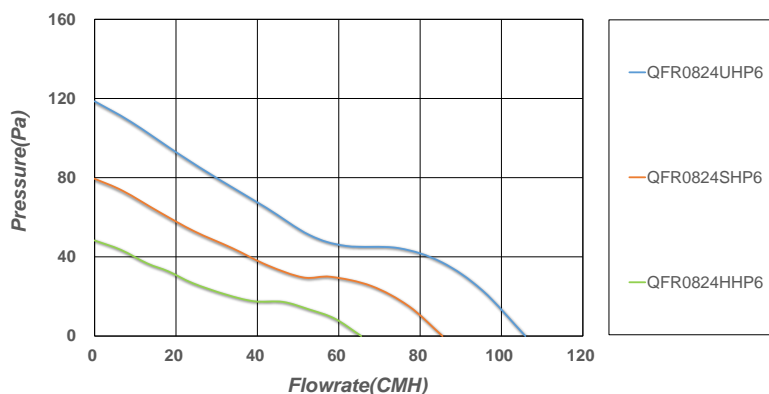
#### ◆ Mass: 177g

### ★ Dimensions (unit: mm)



Size (mm)	Model	Rated Voltage (V)	Voltage Range (V)	Max. Speed (RPM)	Air Flow (CMH)	Pressure (Pa)	Power (W)	Noise (dBA)	IP	Signal	Operating temperature	Operating humidity	Life
80 x 80 x 25	QFR0812GJ-00P6	12	10.8 ~ 13.8	7000	133.80	158.92	7.92	50.0	IP68	F00/PWM	-10°C ~ 70°C	5% ~ 90% RH	70000 hrs/40°C
	QFR0812MJ-00P6	12	10.8 ~ 13.8	4500	83.37	70.63	2.88	43.5	IP68	F00/PWM			70000 hrs/40°C
	QFR0812LJ-00P6	12	10.8 ~ 13.8	3150	56.88	35.31	1.56	31.5	IP68	F00/PWM			70000 hrs/40°C

### ★ Airflow - Static Pressure Characteristics



◆ Material:

Frame - Plastic, Impeller - Plastic

◆ Sound pressure level:

At 1 m away from the air inlet

◆ Storage temperature: -40°C ~ 75°C

◆ Lead wire: UL1007 AWG # 28 or equivalent

Red Wire Positive (+)

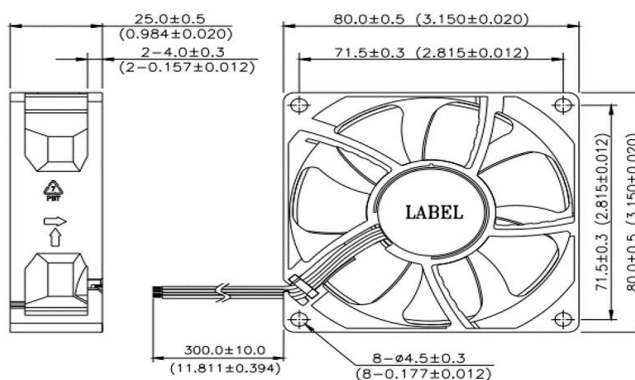
Black Wire Negative (-)

Blue Wire Frequency Generator Signal (F00)

Yellow Wire Control Signal (PWM)

◆ Mass: 88 g

### ★ Dimensions (unit: mm)



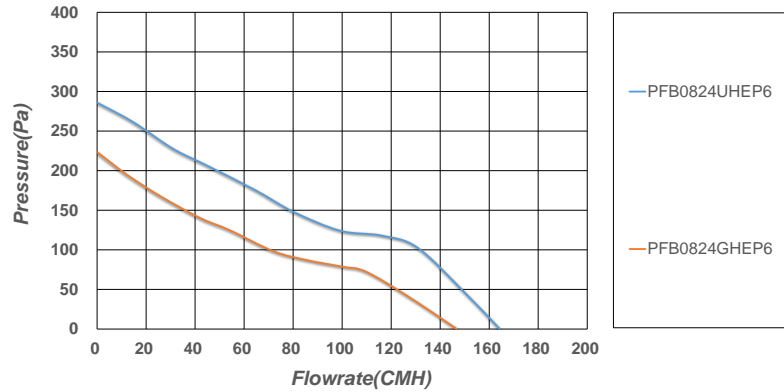
Size (mm)	Model	Rated Voltage (V)	Voltage Range (V)	Max. Speed (RPM)	Air Flow (CMH)	Pressure (Pa)	Power (W)	Noise (dBA)	IP	Signal	Operating temperature	Operating humidity	Life
80 x 80 x 25	QFR0824UHP6	24	14.0 ~ 27.6	5300	105.87	118.59	5.52	49.6	IP68	F00/PWM	-10°C ~ 70°C	5% ~ 90% RH	70000 hrs/40°C
	QFR0824SHP6	24	14.0 ~ 27.6	4300	85.50	79.46	3.60	44.2	IP68	F00/PWM			70000 hrs/40°C
	QFR0824HHP6	24	14.0 ~ 27.6	3300	65.54	48.27	1.92	36.4	IP68	F00/PWM			70000 hrs/40°C





## PFB 80X80X38 MM SERIES

### ★ Airflow - Static Pressure Characteristics



#### ◆ Material:

Frame - Plastic, Impeller - Plastic

#### ◆ Sound pressure level:

At 1 m away from the air inlet

#### ◆ Storage temperature: -40°C ~ 75°C

#### ◆ Lead wire: UL1061 AWG # 24 or equivalent

Red Wire Positive (+)

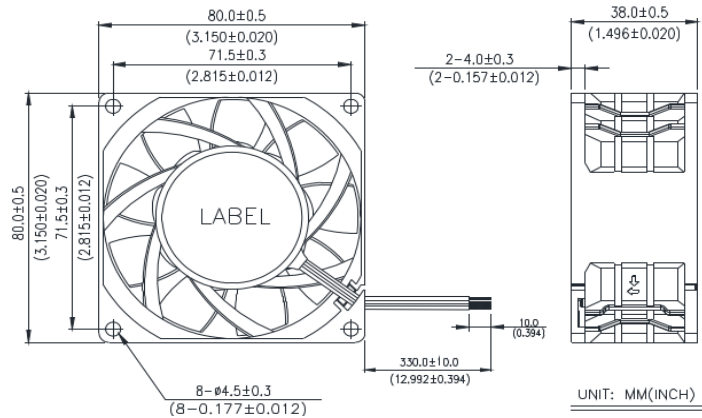
Black Wire Negative (-)

Blue Wire Frequency Generator Signal (F00)

Yellow Wire Control Signal (PWM)

#### ◆ Mass: 210g

### ★ Dimensions



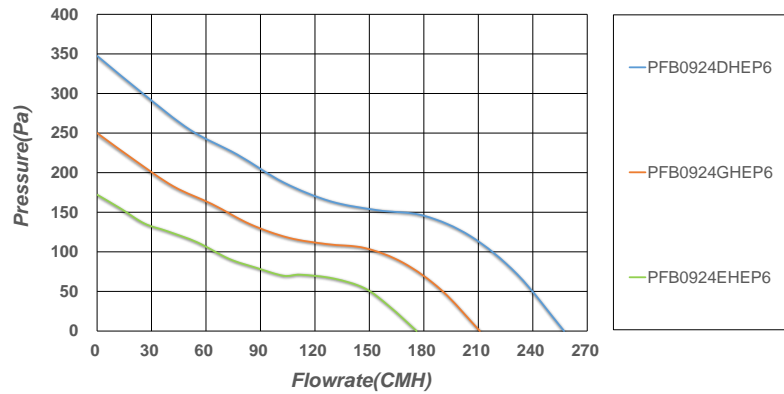
Size (mm)	Model	Rated Voltage (V)	Voltage Range (V)	Max. Speed (RPM)	Air Flow (CMH)	Pressure (Pa)	Power (W)	Noise (dBA)	IP	Signal	Operating temperature	Operating humidity	Life
80 x 80 x 38	PFB0824UHEP6	24	14.0 ~ 26.4	7000	164.35	286.07	16.32	57.9	IP68	F00/PWM	-10°C ~ 70°C	5% ~ 90% RH	70000 hrs/40°C
	PFB0824GHEP6	24	14.0 ~ 26.4	6100	146.78	223.67	10.80	55.5	IP68	F00/PWM			70000 hrs/40°C



## PFB 92X92X38 MM SERIES



### ★ Airflow - Static Pressure Characteristics



#### ◆ Material:

Frame - Plastic, Impeller - Plastic

#### ◆ Sound pressure level:

At 1 m away from the air inlet

#### ◆ Storage temperature: -40°C ~ 75°C

#### ◆ Lead wire: UL1007 AWG # 24 or equivalent

Red Wire Positive (+)

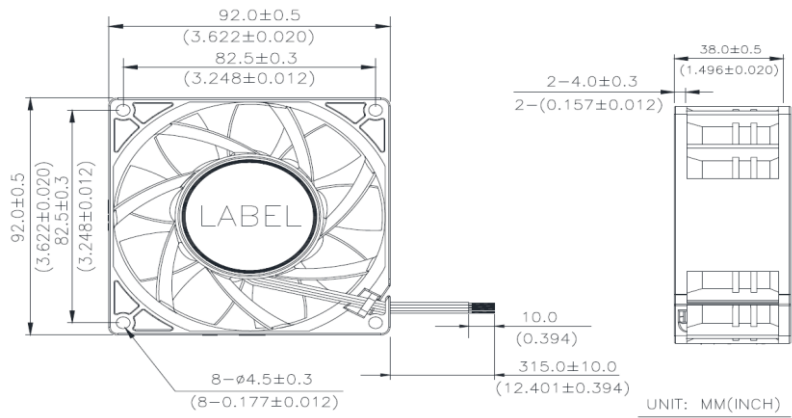
Black Wire Negative (-)

Blue Wire Frequency Generator Signal (F00)

Yellow Wire Control Signal (PWM)

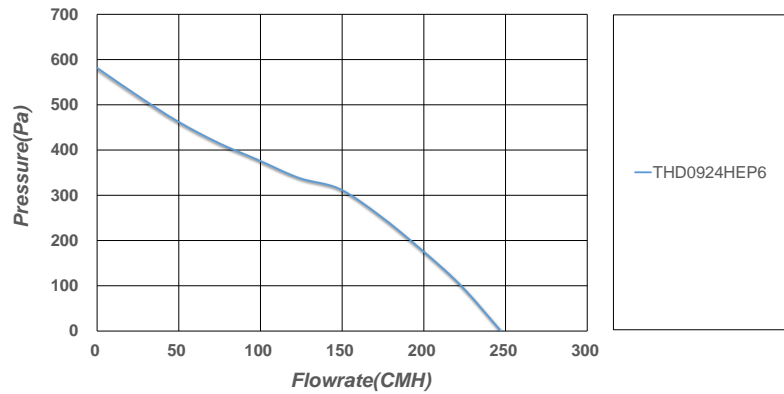
#### ◆ Mass: 280g

### ★ Dimensions (unit: mm)



Size (mm)	Model	Rated Voltage (V)	Voltage Range (V)	Max. Speed (RPM)	Air Flow (CMH)	Pressure (Pa)	Power (W)	Noise (dBA)	IP	Signal	Operating temperature	Operating humidity	Life
92 x 92 x 38	PFB0924DHEP6	24	21.6 ~ 26.4	7200	257.25	347.57	26.40	63.7	IP68	F00/PWM	-10°C ~ 70°C	5% ~ 90% RH	70000 hrs/40°C
	PFB0924GHEP6	24	21.6 ~ 26.4	6000	210.87	250.06	15.60	60.5	IP68	F00/PWM			70000 hrs/40°C
	PFB0924EHEP6	24	21.6 ~ 26.4	4800	176.03	172.26	7.92	54.0	IP68	F00/PWM			70000 hrs/40°C

### ★ Airflow - Static Pressure Characteristics



◆ Material:

Frame - Plastic, Impeller - Plastic

◆ Sound pressure level:

At 1 m away from the air inlet

◆ Storage temperature: -40°C ~ 85°C

◆ Lead wire: UL1007 AWG # 24 or equivalent

Red Wire Positive (+)

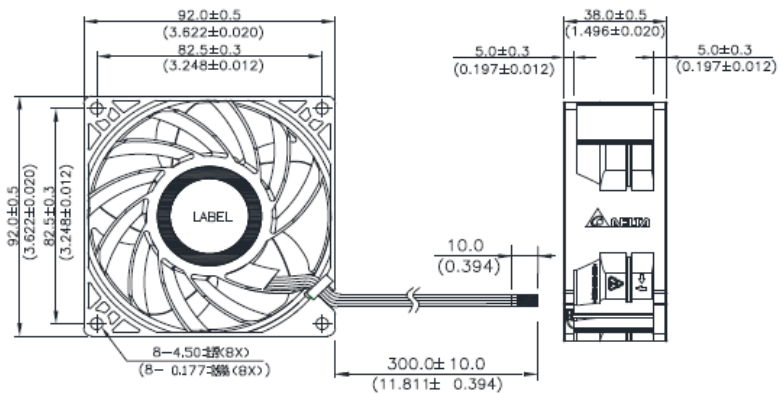
Black Wire Negative (-)

Blue Wire Frequency Generator Signal (F00)

Yellow Wire Control Signal (PWM)

◆ Mass: 177g

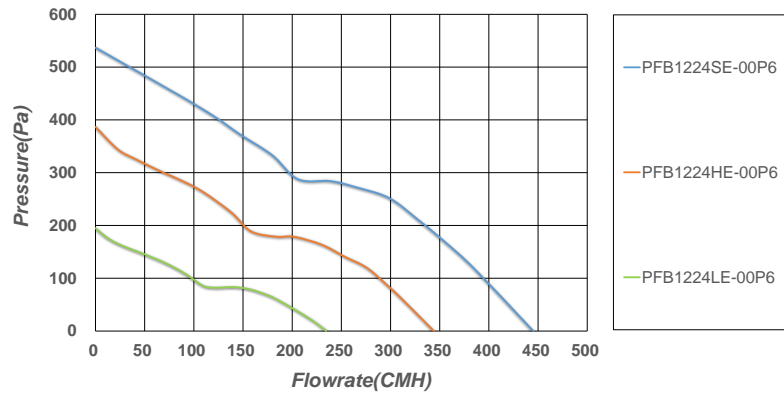
### ★ Dimensions (unit: mm)



Size (mm)	Model	Rated Voltage (V)	Voltage Range (V)	Max. Speed (RPM)	Air Flow (CMH)	Pressure (Pa)	Power (W)	Noise (dBA)	IP	Signal	Operating temperature	Operating humidity	Life
92 x 92 x 38	THD0924HEP6	24	21.6 ~ 26.4	10700	247.27	581.36	27.6	64	IP68	F00/PWM	-10°C ~ 70°C	5% ~ 90% RH	70000 hrs/40°C

## PFB 120X120X38 MM SERIES

### ★ Airflow - Static Pressure Characteristics



#### ◆ Material:

Frame - Plastic, Impeller - Plastic

#### ◆ Sound pressure level:

At 1 m away from the air inlet

#### ◆ Storage temperature: -40°C ~ 70°C

#### ◆ Lead wire: UL1007 AWG # 24 or equivalent

Red Wire Positive (+)

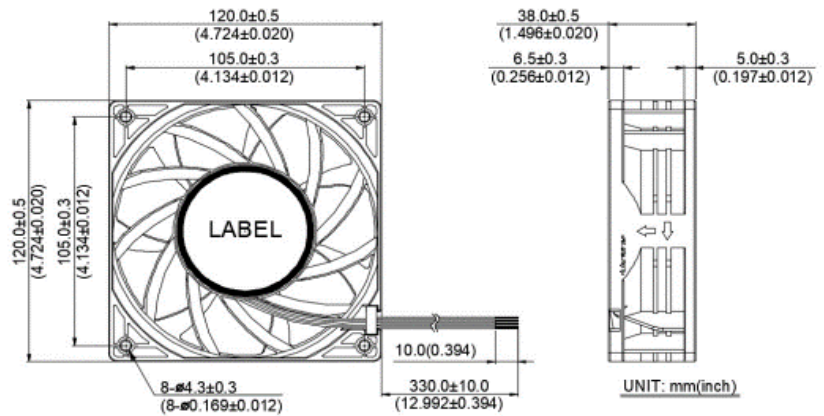
Black Wire Negative (-)

Blue Wire Frequency Generator Signal (F00)

Yellow Wire Control Signal (PWM)

#### ◆ Mass: 426g

### ★ Dimensions (unit: mm)

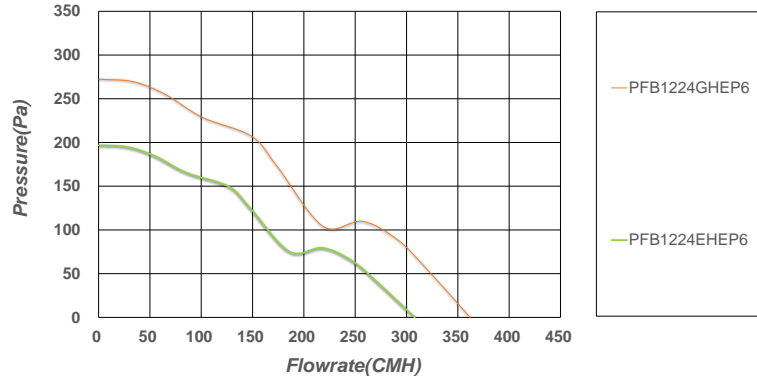


Size (mm)	Model	Rated Voltage (V)	Voltage Range (V)	Max. Speed (RPM)	Air Flow (CMH)	Pressure (Pa)	Power (W)	Noise (dBA)	IP	Signal	Operating temperature	Operating humidity	Life
120x120x38	PFB1224SE-00P6	24	14.0 ~ 27.6	7500	451.02	515.83	50.4	70	IP68	F00/PWM	-10°C ~ 70°C	5% ~ 90% RH	70000 hrs/40°C
	PFB1224HE-00P6	24	14.0 ~ 27.6	5800	342.24	368.79	24.0	65	IP68	F00/PWM			70000 hrs/40°C
	PFB1224LE-00P6	24	14.0 ~ 27.6	4000	239.40	190.79	10.8	57	IP68	F00/PWM			70000 hrs/40°C



## PFB120X120X38 MM SERIES

### ★ Airflow - Static Pressure Characteristics



#### ◆ Material:

Frame - Plastic, Impeller - Plastic

#### ◆ Sound pressure level:

At 1 m away from the air inlet

#### ◆ Storage temperature: -40°C ~ 75°C

#### ◆ Lead wire: UL1061 AWG # 22 or equivalent

Red Wire Positive (+)

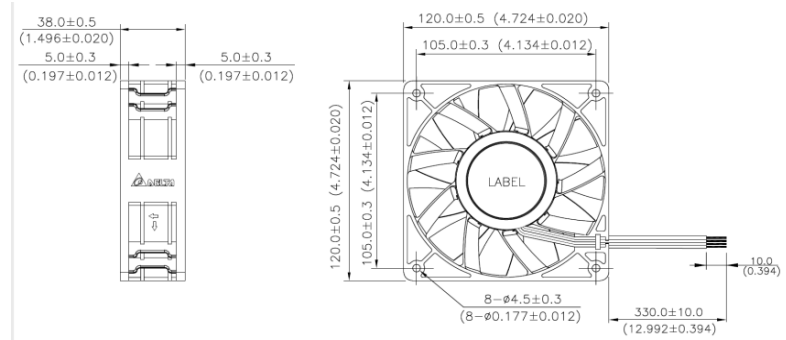
Black Wire Negative (-)

Blue Wire Frequency Generator Signal (F00)

Yellow Wire Control Signal (PWM)

#### ◆ Mass: 380g

### ★ Dimensions (unit: mm)

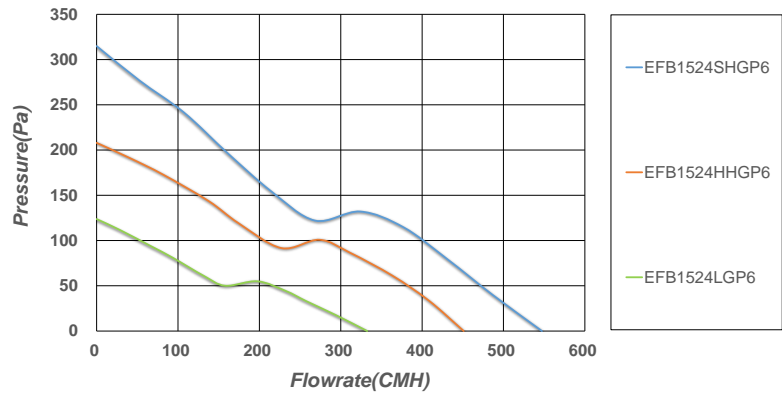


Size (mm)	Model	Rated Voltage (V)	Voltage Range (V)	Max. Speed (RPM)	Air Flow (CMH)	Pressure (Pa)	Power (W)	Noise (dBA)	IP	Signal	Operating temperature	Operating humidity	Life
120x120x38	PFB1224GHEP6	24	21.6 - 26.4	4800	360.54	259.77	32.4	64.0	IP68	F00/PWM	-10°C ~ 70°C	5% ~ 90% RH	70000 hrs/40°C
	PFB1224EHEP6	24	21.6 - 26.4	4000	307.97	187.10	21.6	59.0	IP68	F00/PWM			70000 hrs/40°C



## EFB 172X150X50.8 MM SERIES

### ★ Airflow - Static Pressure Characteristics



#### ◆ Material:

Frame - Aluminum, Impeller - Plastic

#### ◆ Sound pressure level:

At 1 m away from the air inlet

#### ◆ Storage temperature: -40°C ~ 70°C

#### ◆ Lead wire: UL1007 AWG # 24 or equivalent

Red Wire Positive (+)

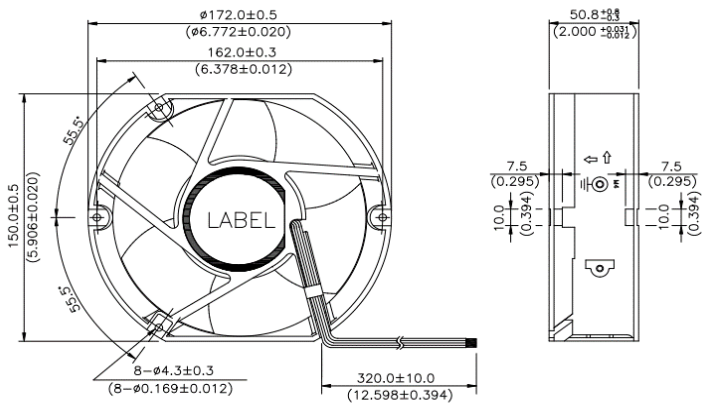
Black Wire Negative (-)

Blue Wire Frequency Generator Signal (F00)

Yellow Wire Control Signal (PWM)

#### ◆ Mass: 840 g

### ★ Dimensions (unit: mm)

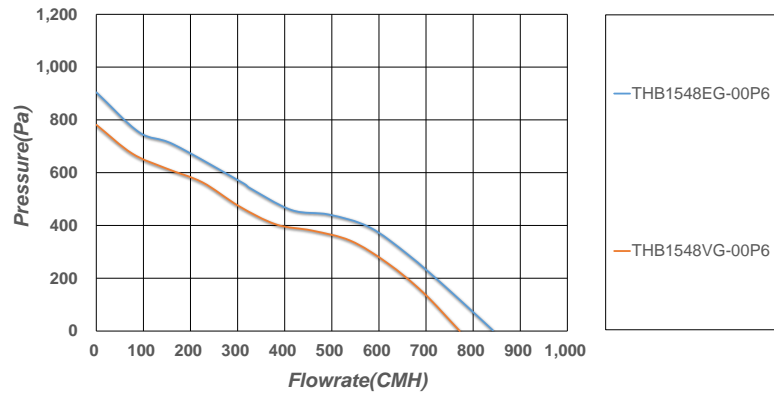


Size (mm)	Model	Rated Voltage (V)	Voltage Range (V)	Max. Speed (RPM)	Air Flow (CMH)	Pressure (Pa)	Power (W)	Noise (dBA)	IP	Signal	Operating temperature	Operating humidity	Life
72X150X50.8	EFB1524SHGP6	24	21.6 - 26.4	4500	547.2	314.9	37.2	62	IP68	F00/PWM	-10°C ~ 70°C	5% ~ 90% RH	70000 hrs/40°C
	EFB1524HHGP6	24	21.6 - 26.4	3700	451.1	202.8	21.6	59	IP68	F00/PWM			70000 hrs/40°C
	EFB1524LGP6	24	21.6 - 26.4	2800	332.58	123.76	12.0	52.3	IP68	F00/PWM			70000 hrs/40°C



## THB 172X150X50.8 MM SERIES

### ★ Airflow - Static Pressure Characteristics



#### ◆ Material:

Frame - Die-cast aluminum, Impeller - Plastic

#### ◆ Sound pressure level:

At 1 m away from the air inlet

#### ◆ Storage temperature: -40°C ~ 70°C

#### ◆ Lead wire: UL1007 AWG # 24 or equivalent

Red Wire Positive (+)

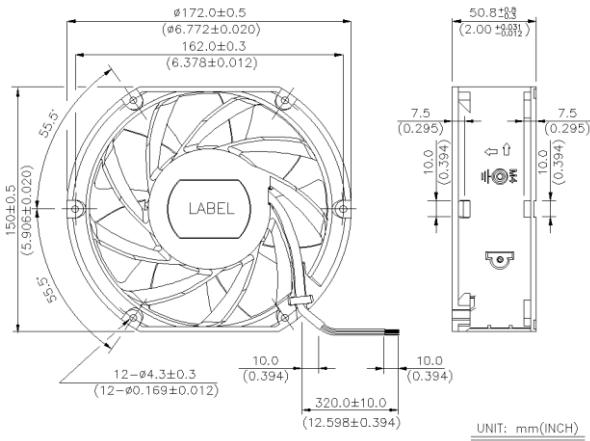
Black Wire Negative (-)

Blue Wire Frequency Generator Signal (F00)

Yellow Wire Control Signal (PWM)

#### ◆ Mass: 890g

### ★ Dimensions (unit: mm)



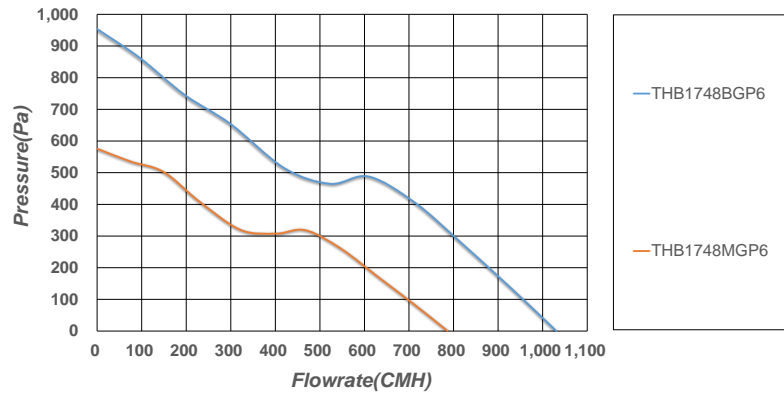
Size (mm)	Model	Rated Voltage (V)	Voltage Range (V)	Max. Speed (RPM)	Air Flow (CMH)	Pressure (Pa)	Power (W)	Noise (dBA)	IP	Signal	Operating temperature	Operating humidity	Life
172X150X50.8	THB1548EG-00P6	48	36.0 ~ 60.0	7200	841.98	904.5	144	77.6	IP68	F00/PWM	-10°C ~ 70°C	5% ~ 90% RH	70000 hrs/40°C
	THB1548VG-00P6	48	36.0 ~ 60.0	6500	771.66	781.66	96	75.4	IP68	F00/PWM			70000 hrs/40°C





## THB Ø172X50.8 MM SERIES

### ★ Airflow - Static Pressure Characteristics



#### ◆ Material:

Frame - Aluminum, Impeller - Plastic

#### ◆ Sound pressure level:

At 1 m away from the air inlet

#### ◆ Storage temperature: -40°C ~ 75°C

#### ◆ Lead wire: UL1430 AWG # 22 or equivalent

Red Wire Positive (+)

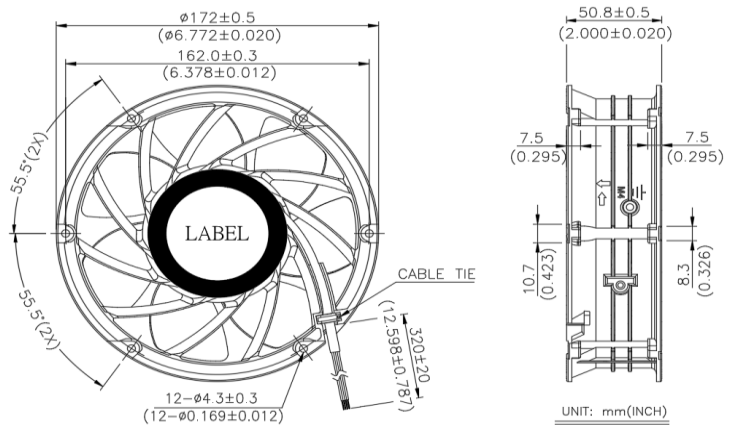
Black Wire Negative (-)

Blue Wire Frequency Generator Signal (F00)

Yellow Wire Control Signal (PWM)

#### ◆ Mass: 940g

### ★ Dimensions (unit: mm)



Size (mm)	Model	Rated Voltage (V)	Voltage Range (V)	Max. Speed (RPM)	Air Flow (CMH)	Pressure (Pa)	Power (W)	Noise (dBA)	IP	Signal	Operating temperature	Operating humidity	Life
Ø172X50.8	THB1748BGP6	48	36.0 ~ 60.0	8000	1030.80	953.84	163.20	77.5	IP68	F00/PWM	-10°C ~ 70°C	5% ~ 90% RH	70000 hrs/40°C
	THB1748MGP6	48	36.0 ~ 60.0	6100	786.77	564.38	79.20	70.5	IP68	F00/PWM			70000 hrs/40°C