

★ Airflow - Static Pressure Characteristics



◆ Material:

Frame - Die-cast aluminum, Impeller - Plastic

◆ Sound pressure level:

At 1 m away from the air inlet

◆ Storage temperature: -40°C ~ 70°C

◆ Lead wire: UL1007 AWG # 24 or equivalent

Red Wire Positive (+)

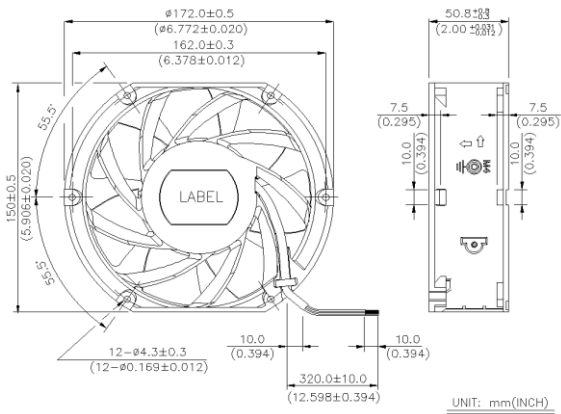
Black Wire Negative (-)

Blue Wire Frequency Generator Signal (F00)

Yellow Wire Control Signal (PWM)

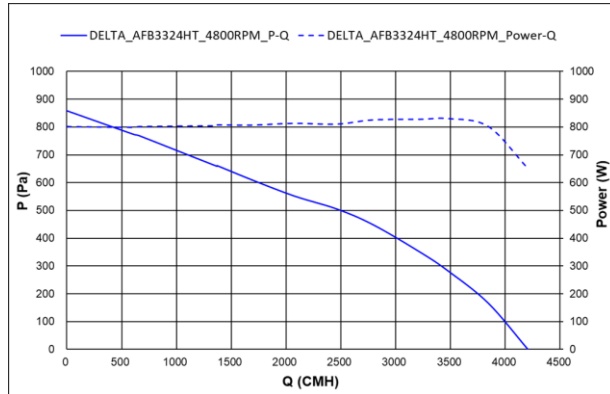
◆ Mass: 890g

★ Dimensions (unit: mm)



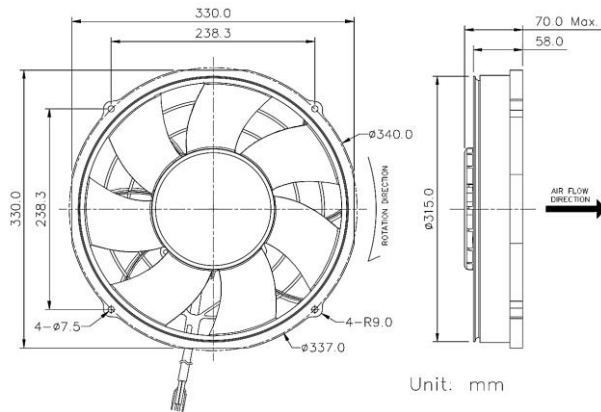
Size (mm)	Model	Rated Voltage (V)	Voltage Range (V)	Max. Speed (RPM)	Air Flow (CMH)	Pressure (Pa)	Power (W)	Noise (dBA)	IP	Signal	Operating temperature	Operating humidity	Life
172 x 150 x 50.8	THB1548EG-00P6	48	36.0 ~ 60.0	7200	841.98	904.5	144	77.6	IP68	F00/PWM	-10°C ~ 70°C	5% ~ 90% RH	70000 hrs/40°C
	THB1548VG-00P6	48	36.0 ~ 60.0	6500	771.66	781.66	96	75.4	IP68	F00/PWM			70000 hrs/40°C

★ Airflow - Static Pressure Characteristics



- ◆ **Material:**
Frame - Plastic, Impeller - Plastic
- ◆ **Sound pressure level:**
At 1 m away from the air inlet
- ◆ **Storage temperature:** -40°C ~ 85°C
- ◆ **Lead wire:**
UL3321 AWG # 12 or equivalent
Red Wire Positive (+)
Black Wire Negative (-)
UL3266 AWG # 18 or equivalent
Blue Wire Frequency Generator Signal (F00)
Yellow Wire Control Signal (PWM)
- ◆ **Mass:** 2800g

★ Dimensions (unit: mm)



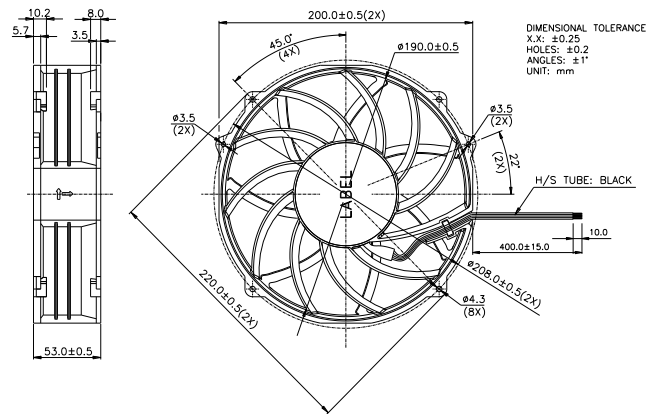
Size (mm)	Model	Rated Voltage (V)	Voltage Range (V)	Max. Speed (RPM)	Air Flow (CMH)	Pressure (Pa)	Power (W)	Noise (dBA)	IP	Signal	Operating temperature	Operating humidity	Life
330 x 330 x 70	AFB3324HT-00	26	16.0 ~ 32.0	4800	4080	800	700	85	IP68	F00/PWM	-40°C ~ 70°C	5% ~ 90% RH	40000 hrs/40°C



★ Airflow - Static Pressure Characteristics

- ◆ **Material:**
Frame - Die-cast aluminum, Impeller - Plastic
- ◆ **Sound pressure level:**
At 1 m away from the air inlet
- ◆ **Storage temperature:** -30°C ~ 70°C
- ◆ **Lead wire:**
UL1430 AWG # 16 or equivalent
Red Wire Positive (+)
Black Wire Negative (-)
UL1430 AWG # 18 or equivalent
Blue Wire Frequency Generator Signal (F00)
Yellow Wire Control Signal (PWM)
- ◆ **Mass:** 1230g

★ Dimensions (unit: mm)



Size (mm)	Model	Rated Voltage (V)	Voltage Range (V)	Max. Speed (RPM)	Air Flow (CMH)	Pressure (Pa)	Power (W)	Noise (dBA)	IP	Signal	Operating temperature	Operating humidity	Life
200 x 220 x 53	THB2024HSJ5N	24	16.0 ~ 32.0	6000	1,266.89	620.37	148.8	74	IP68	F00/PWM	-30°C ~ 70°C	5% ~ 90% RH	70000 hrs/40°C