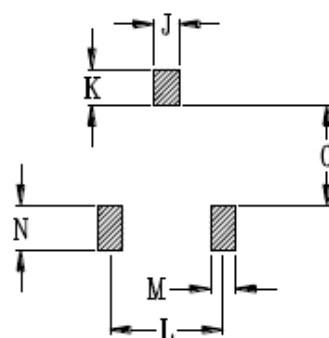
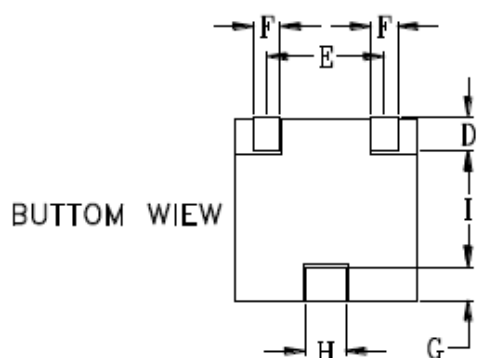
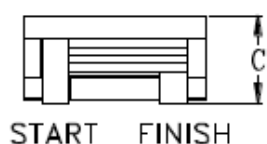
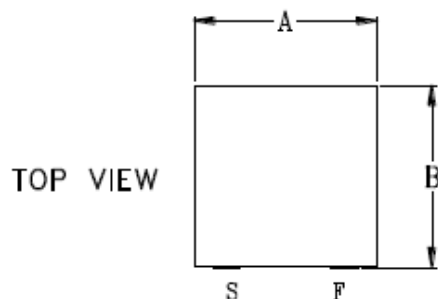




DELTA P/N : HMP1911 Series

Mechanical dimensions



PCB LAYOUT

UNIT : mm

A = 19.5 MAX	J = 3.0
B = 19.5 MAX	K = 3.5
C = 11.5 MAX	L = 12.7
D = 3.0±0.5	M = 4.2
E = 12.7±0.5	N = 4.0
F = 3.2	O = 11.05
G = 2.5	
H = 2.5	
I = 12.05	

Electrical Characteristics: @25°C, 100kHz, 1V

Delta P/N	L ¹ (uH)	Li (uH) MIN	DCR (mΩ) MAX	Isat ² (A)	Ir ³ (A)
HMP1911-2R0	2.0	1.44	0.88	50	56

1. Tolerance of inductance : ± 10%
2. Isat is the DC current which causes the inductance drop not less than Li
3. Ir is the DC current which causes the surface temperature of the part increase approximately 45 °C.
4. Operating temperature: -40°C to 125°C (Self-temperature rise included).