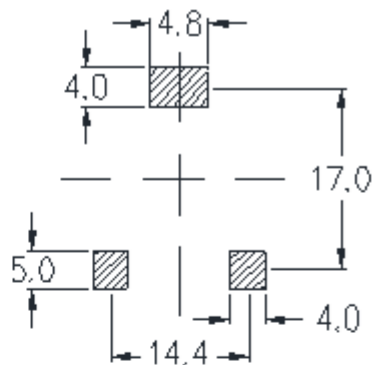
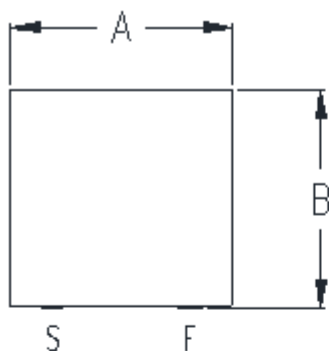




DELTA P/N : HMP211X Series

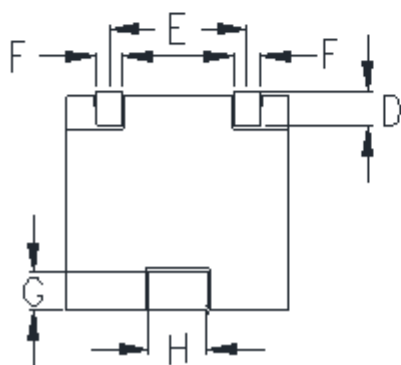
Mechanical dimensions



Suggested PWB Layout(mm)



DCR Measure Points



UNIT : mm

A = 21.7 MAX

B = 21.5 MAX

D = 2.30 MIN

E = 14.4

F = 2.4

G = 2.5

H = 3.5

Electrical Characteristics: @25°C, 100kHz, 1V

| Delta P/N | L ¹ (uH) | Li (uH) MIN | DCR (mΩ) MAX | Isat ² (A) | Ir ³ (A) | C (mm) MAX |
|----------------|------------------------|----------------|-----------------|--------------------------|------------------------|---------------|
| HMP2112HG-150L | 15 | 11.2 | 3.7 | 16 | 21 | 12.5 |
| HMP2112H-100 | 10 | 7.2 | 3.7 | 23 | 21 | 12.5 |
| HMP2113HG-120 | 12 | 8.6 | 4.6 | 23 | 22 | 13.0 |

1. Tolerance of inductance : ± 10%
2. Isat is the DC current which causes the inductance drop not less than Li
3. Ir is the DC current which causes the surface temperature of the part increase approximately 45 °C.
4. Operating temperature: -40°C to 125°C (Self-temperature rise included).