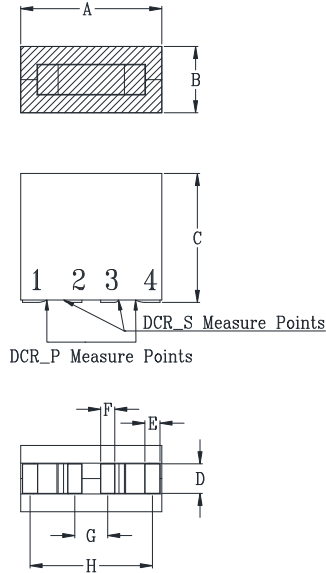




DELTA P/N : TLM1211F Series

Mechanical Dimensions & Schematic



UNIT : mm
 A = 11.7±0.3
 B = 5.7±0.3
 C = 10.7±0.3
 D = 2.45±0.3
 E = 1.3±0.3
 F = 1.15±0.3
 G = 2.65±0.5
 H = 10.1±0.5
 I = 2.95
 J = 1.8
 K = 1.65
 L = 2.65
 M = 10.1



Electrical Characteristics @ 25°C, 100kHz, 1V

Delta P/N	L (nH) ± 15%	Li (nH) TYP	DCR_P (mΩ) ± 10%	DCR_S (mΩ) ± 10%	Isat ¹ (A)		Ir_P ² (A)	Ir_S ² (A)
					25°C	100°C		
TLM1211F-111	105	84	0.125	0.37	125	106	77	45
TLM1211F-121	120	96			102	87		
TLM1211F-151	150	120			84	71		
TLM1211F-171	170	136			70	60		
TLM1211F-201	200	160			58	50		

1. Isat is the DC current which causes the inductance drop to Li.
2. Ir is the DC current which causes the surface temperature of the part increase approximately 40 °C.
3. Operating temperature: -40°C to 125°C (Self-temperature rise included).