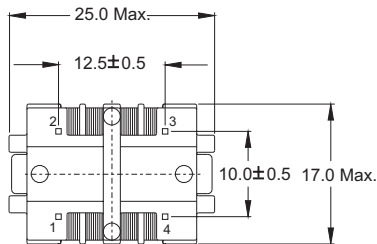
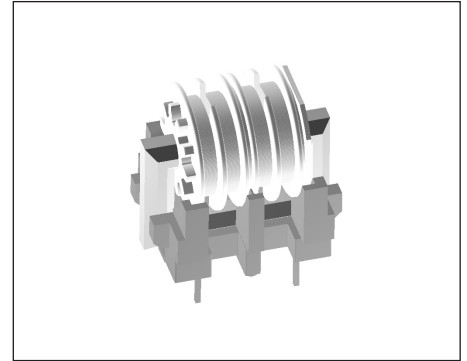
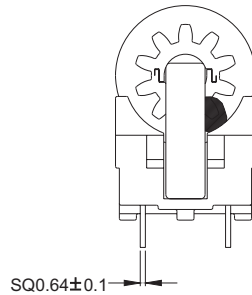
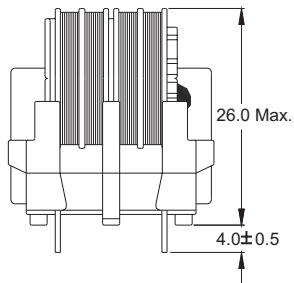


Common Chokes

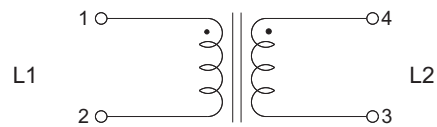
EMI Common-Mode Suppression Inductors

LFO24V Type

Mechanical Dimension: Unit: mm



Schematic :



Electrical Characteristics:

■ AT 25°C, 40KHz/1V Tested:

PART NO.	INDUCTANCE (mH) MIN	DCR (mΩ) MAX	RATED CURRENT (Aac)	TEMPERATURE RISE (°C) MAX
LFO24V01	44.2	2450	0.4	45
LFO24V02	30.0	1430	0.6	45
LFO24V03	15.3	740	0.8	45
LFO24V04	9.8	500	1.0	45
LFO24V05	7.4	380	1.2	45
LFO24V06	5.5	275	1.6	45
LFO24V07	3.8	190	2.0	45

* WITHSTANDING VOLTAGE BETWEEN L1 & L2 1.5KV 1 MINUTE
* GOOD DIFFERENCE IN WINDING L1 & L2 INDUCTANCE



DELTA ELECTRONICS, INC.

(TAOYUAN PLANT CPBG) 252, SAN YING ROAD, KUEISAN INDUSTRIAL ZONE, TAOYUAN SHIEN, 333, TAIWAN, R.O.C.

TEL: 886-3-3591968; FAX: 886-3-3591991

<http://www.deltaww.com>