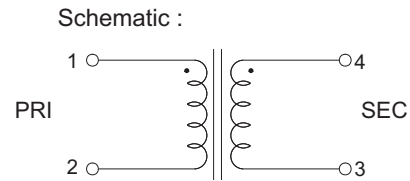
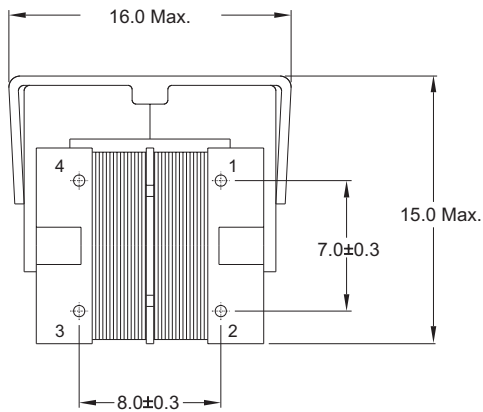
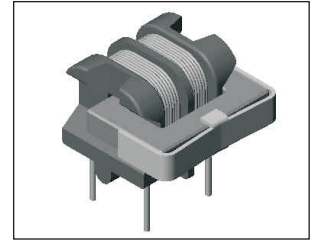
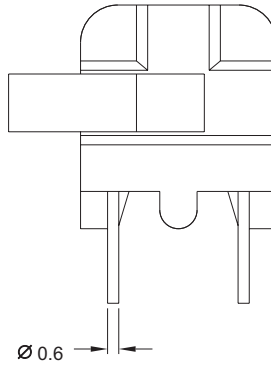
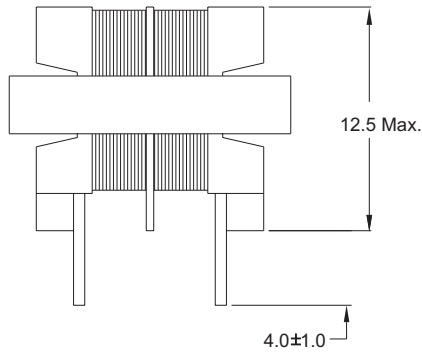


# Common Chokes

## EMI Common-Mode Suppression Inductors

### LFU09H Type

Mechanical Dimension: Unit: mm



### Electrical Characteristics:

■ AT 25°C, 1KHz/1V Tested:

PART NO.	INDUCTANCE (mH) MIN	DCR (Ω) MAX	RATED CURRENT (Aac)	TEMPERATURE RISE (°C) MAX
LFU09H01	43.2	14.5	0.1	45
LFU09H02	14.4	5.42	0.2	45
LFU09H03	7.2	2.47	0.3	45
LFU09H04	4.3	1.47	0.4	45
LFU09H05	3.3	1.16	0.5	45
LFU09H06	1.8	0.67	0.6	45
LFU09H07	1.4	0.50	0.7	45
LFU09H08	1.2	0.37	0.8	45
LFU09H09	0.9	0.31	0.9	45
LFU09H10	0.7	0.26	1.0	45

\* WITHSTANDING VOLTAGE BETWEEN L1 & L2 1.5KV 1 MINUTE  
\* GOOD DIFFERENCE IN WINDING L1 & L2 INDUCTANCE



DELTA ELECTRONICS, INC.

(TAOYUAN PLANT CPBG) 252, SAN YING ROAD, KUEISAN INDUSTRIAL ZONE, TAOYUAN SHIEN, 333, TAIWAN, R.O.C.

TEL: 886-3-3591968; FAX: 886-3-3591991

<http://www.deltaww.com>