

INTRODUCTIONS

1. Specially designed with 2-stage inductor providing excellent EMI suppression at frequency 150KHz ~ 10MHz.
2. With optional Y capacitance from 100pF to 3300pF.
3. All part numbers are UL and cUL recognized, ENEC approved.

COMPONENTS

PART No.	L(mH)	Cx(μF)	Cy(pF)	R(M.Ω)
03SEEG3S	3.7	0.22	2200	1.0
06SEEG3S	1.5			
10SEEG3S	0.38			
13SEEG3S	0.19			
15SEEG3S	0.12			

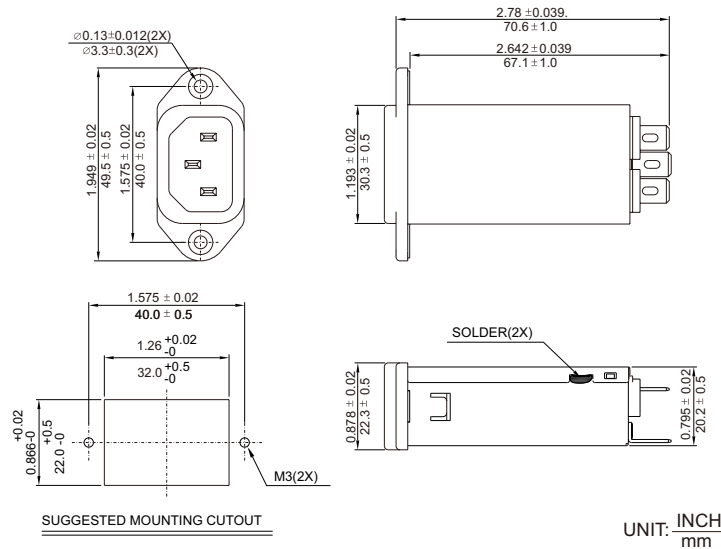
MINIMUM INSERTION LOSS IN dB

COMMON MODE (L-G) IN 50 OHM SYSTEM							
PART NO.	FREQUENCY-MHZ						
	.15	.50	1.0	5.0	10	30	
03SEEG3S	30	45	55	55	45	40	
06SEEG3S	20	40	45	50	50	40	
10SEEG3S	3	20	30	40	40	40	
13SEEG3S	1	10	20	40	40	40	
15SEEG3S	1	8	15	30	30	35	

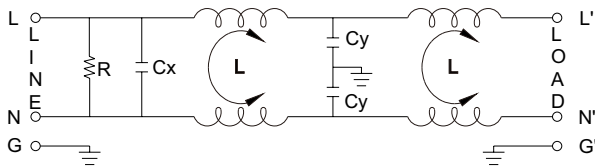
DIFFERENTIAL MODE (L-L) IN 50 OHM SYSTEM							
PART NO.	FREQUENCY-MHZ						
	.15	.50	1.0	5.0	10	30	
03SEEG3S	10	18	20	25	30	35	
06SEEG3S	10	18	20	25	30	35	
10SEEG3S	10	18	20	25	30	35	
13SEEG3S	10	18	20	25	30	35	
15SEEG3S	10	18	20	25	30	35	

SPECIFICATIONS

1. Maximum leakage current each line-to-ground @ 115VAC 60Hz: 0.20mA @ 250VAC 50Hz: 0.40mA
2. Hipot rating (one minute) line-to-ground: 2250VDC line-to-line: 1450VDC
3. Operating frequency: 50/60Hz
4. Rated voltage: 115/250VAC



ELECTRICAL SCHEMATIC



MECHANICAL CONSTRUCTION



SEEG3S