



TYSERIES

3-PHASE 4-WIRE FILTERS

COMPONENTS

PART NO.	C1 (uF)	C2 (uF)	Lg (uH)	L (mH)	R (KΩ)
20TYS10	2.0	1.0	78	3.2	110
•30TYS10			52	1.6	
60TYS10			52	0.32	

• UL, CSA & ENEC approved C3: 3300pF C4: 14700pF

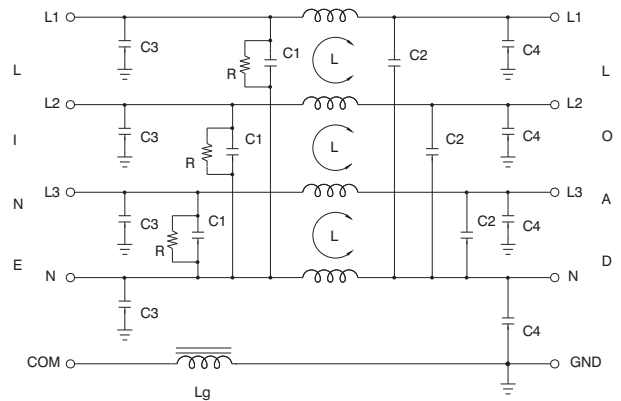
INTRODUCTIONS

1. Applications: Electric equipment, UPS, machine tool, copy machine, automation equipment, robot, AC motor drive
2. Voltage rating: 440VAC
3. Operating frequency: 50/60Hz

MINIMUM INSERTION LOSS IN dB

COMMON MODE (L-G) IN 50 OHM SYSTEM							
TYPE	CURRENT RATING	FREQUENCY - MHz					
		.15	.50	1.0	5.0	10	30
20TYS10	20A	25	40	35	30	30	30
30TYS10	30A	25	40	40	45	45	35
60TYS10	60A	15	30	30	30	30	30
DIFFERENTIAL MODE (L-L) IN 50 OHM SYSTEM							
20TYS10	20A	35	35	35	30	30	30
30TYS10	30A	40	55	55	45	45	40
60TYS10	60A	18	45	45	35	35	30

ELECTRICAL SCHEMATIC

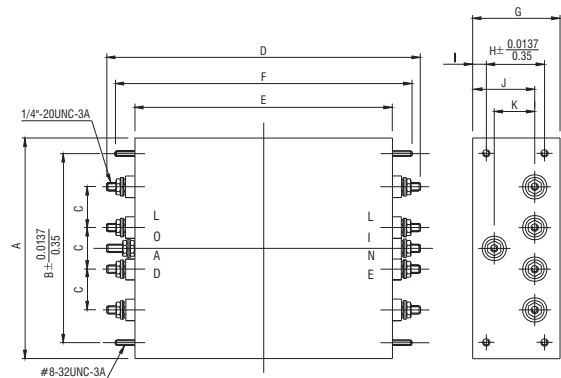
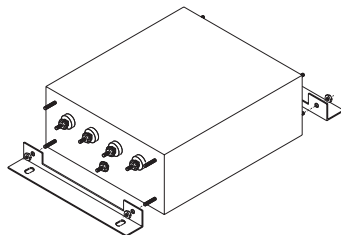
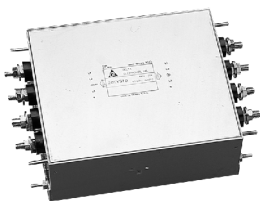


SERIES DIMENSIONS

DIM.	A	B	C	D	E	F	G	H	I	J	K
20TYS10											
30TYS10	5.59 142.0	4.606 117.0	0.98 25.0	8.85 225.0	6.57 167.0	7.75 197.0	2.55 65.0	1.496 38.0	0.51 13.0	1.81 46.0	0.88 22.4
60TYS10											

MECHANICAL CONSTRUCTION

Optional mounting Flange:



UNIT .INCH
mm