



PV INVERTER MONITORING SOLUTION

Data Collector / PPM DC1_100

Features

- Partial / Zero export for grid protection
- MyDeltaSolar APP for inverter monitoring and control
- MyDeltaSolar cloud service or 3rd party platform compatible
- 7 days local data storage prevents data loss
- Wi-Fi, Ethernet and RS-485 communication interface

www.deltaww.com



Product Overview

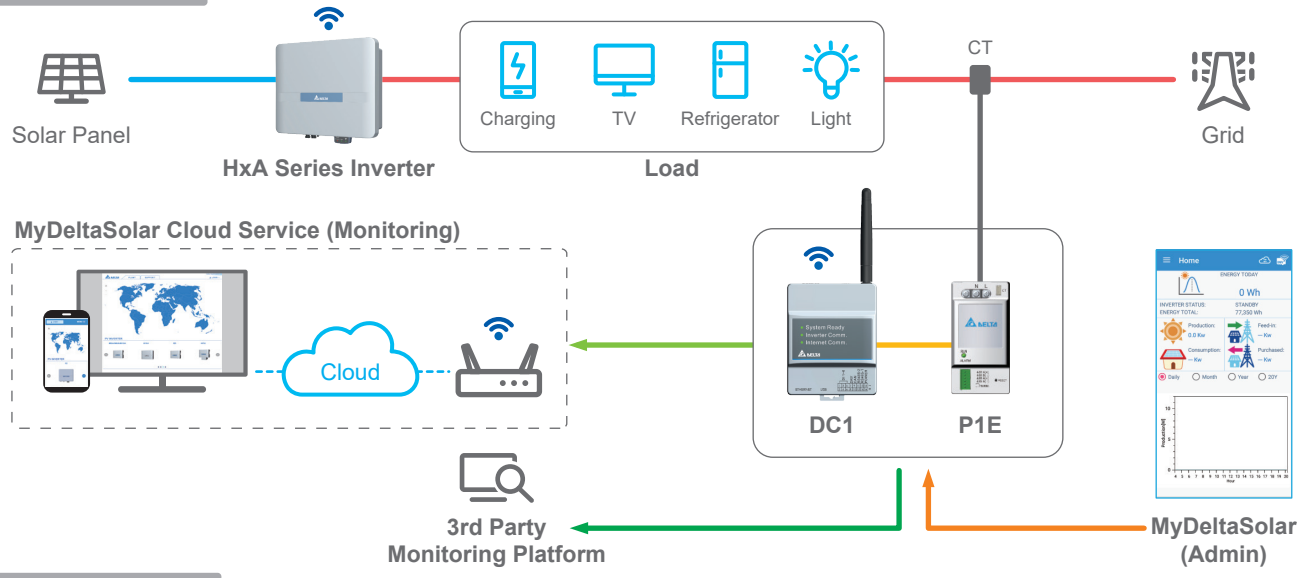
DC1 data collector is designed for monitoring PV inverter and conducting partial / zero export application to ensure solar power will feed in base on power company requirement. With its wired and wireless communication interface, DC1 can be connected to either MyDeltaSolar or 3rd party cloud service to realize remote management and optimize the efficiency of the PV system.

System Architecture

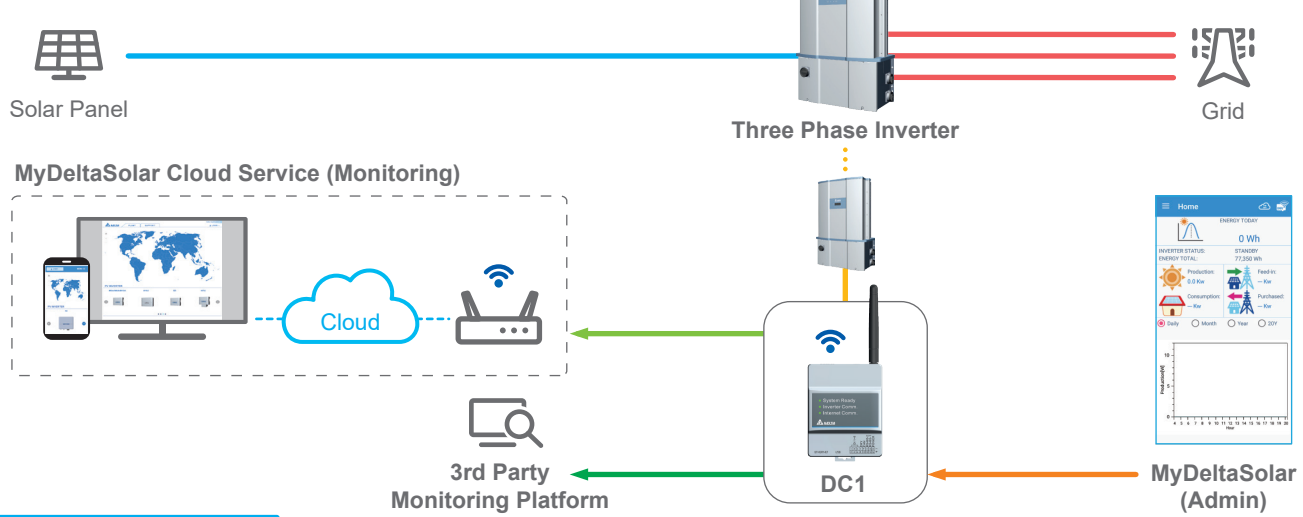


* Only one communication protocol (LAN, Ethernet, Wi-Fi) can be used at the same time.

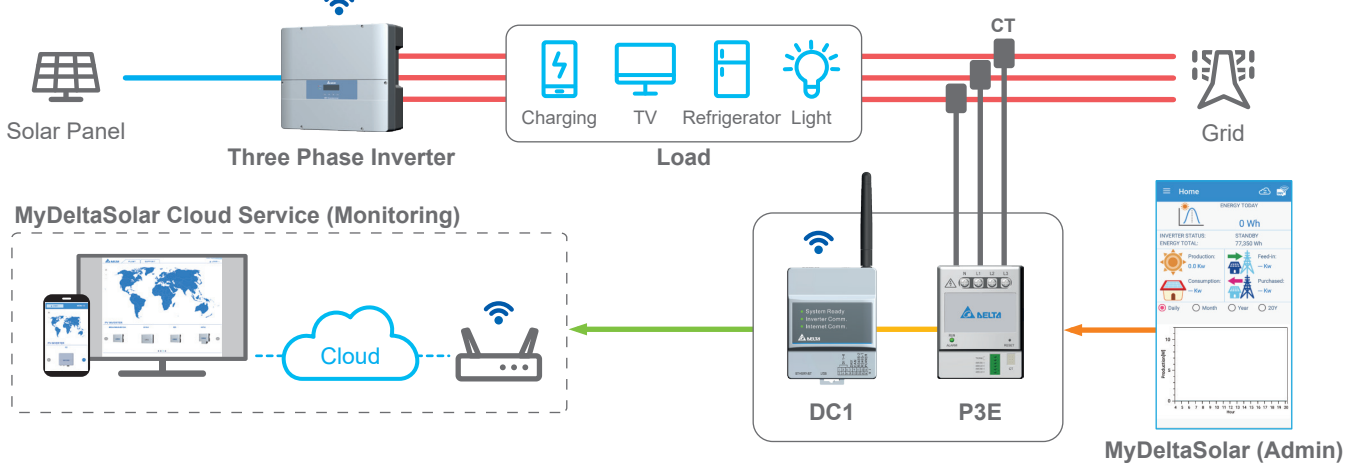
Residential



Commercial



Partial / Zero export

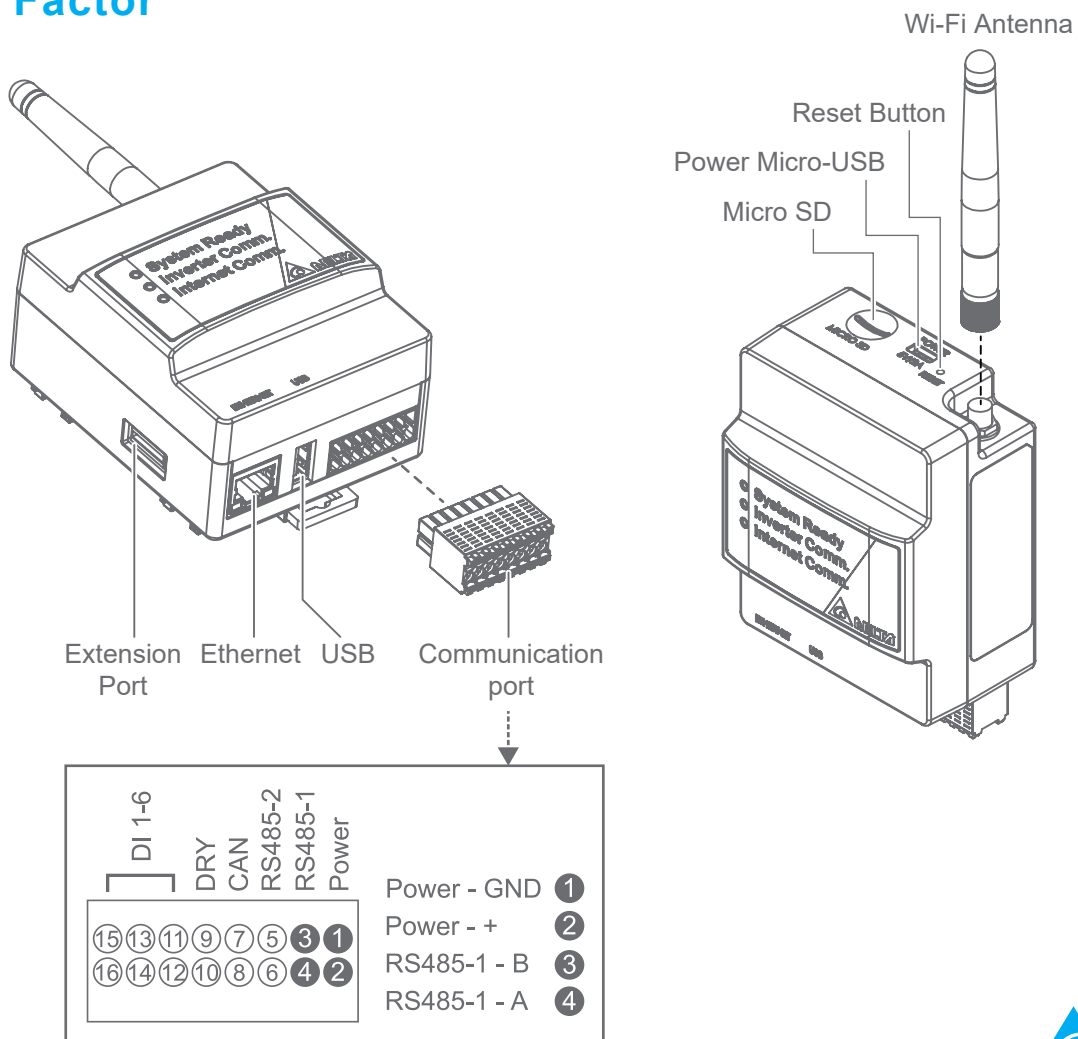


Specifications

Model Name	PPM DC1_100
Power	
Operating Voltage Range	9 Vdc to 25 Vdc (power port, can be supplied from inverter), 5 Vdc (Micro USB)
Power Consumption	5 W
Communication	
Wired	RS-485 , Ethernet
Wireless	Wi-Fi Module 802.11a/b/g/n
Certificate	
Safety Standard	EN 61010-1, CE compliance
Emission (EMI)	EN 300 328, LP0002, Part 15C, Telec T66
Immunity (EMS)	EN 301 489-1/-17, EN 55024, EN 55032, FCC Part 15B
I / O	
Terminal Block	2x power port, 4x RS-485, 2x CANbus, 2x Dry Contact, 6x Digital Input
RJ-45	Ethernet
USB	Data Storage
General	
LED Display	System Ready, Inverter Comm., Internet Comm.
Operation Temperature	-20°C to 60°C
Relative Humidity	30% to 85%
Dimension (W x H x D)	72 x 90 x 55 mm
Weight	160g (with Wi-Fi antenna)

* Specifications are subject to change without prior notice

Form Factor





Delta Electronics, Inc.

39 Section 2 Huandong Road, Shanhua Township,
Tainan County 74144, Taiwan, R.O.C.

TEL : +886 6 505-6565

FAX : +886 6 505-1919

info@deltaww.com