



Quick Installation Guide

Battery Storage System

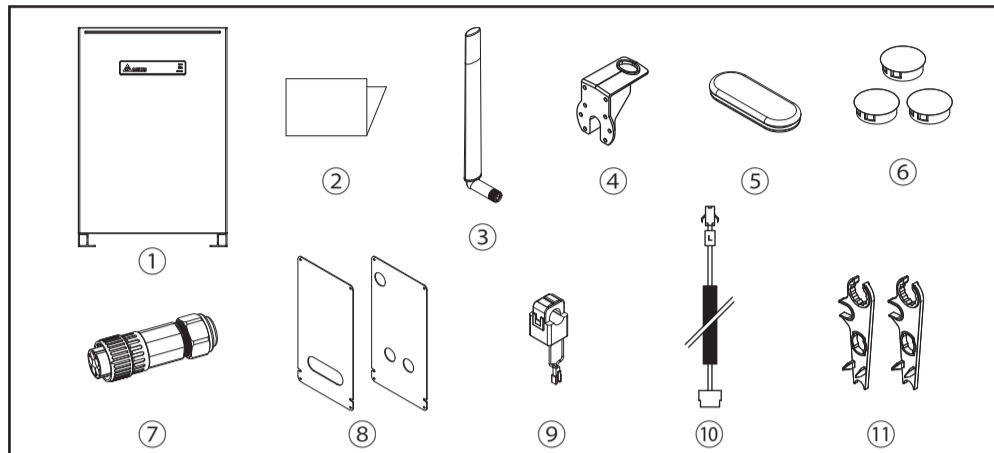
BX6.3_AC100



BX6.3_AC100 user manual

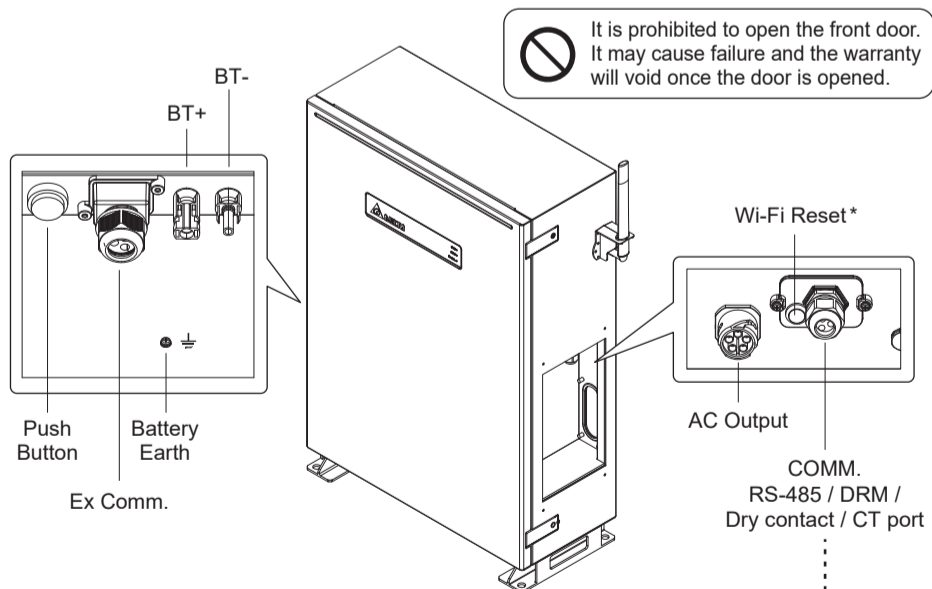
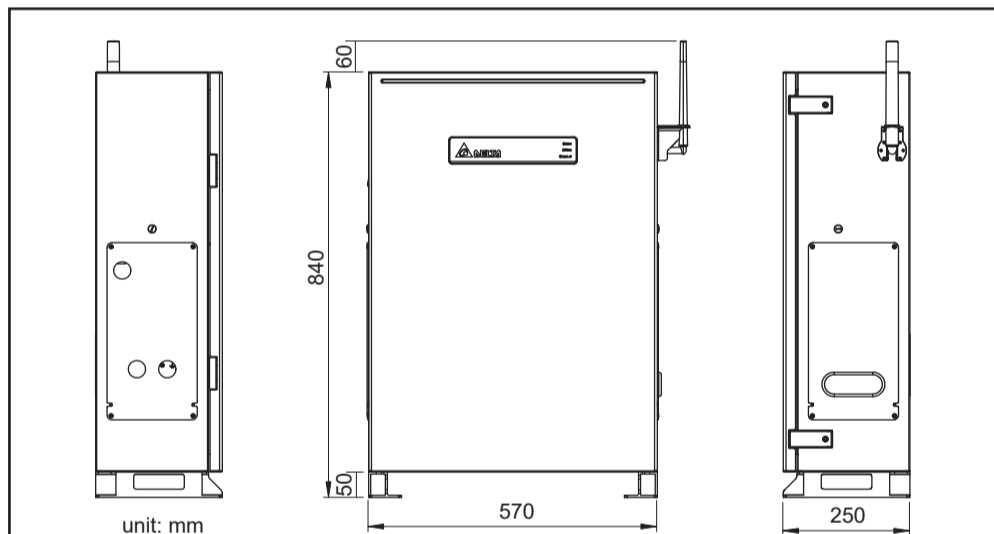
For more instruction and specification, please scan QR-code to see user manual.
 > Battery > BX6.3_AC100 Operation and Installation Manual
https://mydeltasolar.deltaww.com/?p=product_manual

Descriptions of Components

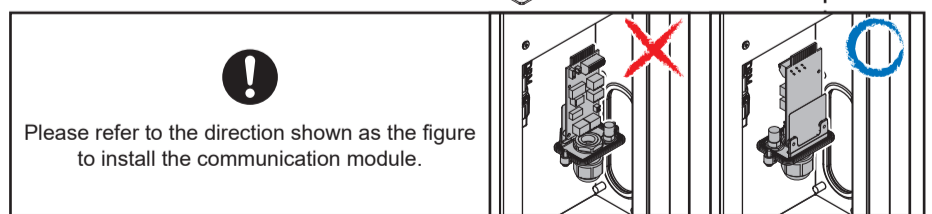


Object	Qty	Description
1	1	Delta BX6.3_AC100 Residential AC ESS
2	1	Quick Installation Guide The Instruction to provide the information of safety, Installation and specification.
3	1	WiFi antenna 2.4 Ghz Wi-Fi Antenna (IPX7)
4	1	Antenna Bracket To support Wi-Fi antenna on BX6.3_AC100
5	1	Rubber cover Protective cover for non-critical waterproof and dust prevent
6	3	Plastic cover Protective cover for non-critical waterproof and dust prevent
7	1	AC Plug Connector for AC connection
8	2	Wiring Cover Protective cover to prevent users from touching the power cable
9	1	Current sensor 120A current transformer
10	1	CT cable Cable for CT connection
11	2	H4 Wrench To disconnect H4 connector

Dimensions and Interface Overview



It is prohibited to open the front door. It may cause failure and the warranty will void once the door is opened.



* Wi-Fi reset button function

Operation	Wi-Fi LED Status	Explanation
Push 3s~10s	Wi-Fi LED flashing once every half a second	Reset Wi-Fi module
Push 10s~20s	No flash	No function
Push 20s~	Wi-Fi LED flashing once every one seconds	Reset Wi-Fi module, and Wi-Fi password returns to the default: DELTASOL

Warning

- Do not open this product or insert tools due to shock and fire hazard which may cause injury.
- When installing this product you must adhere to the following instructions:
 - The product is intended to be installed and operated by qualified personnel or service personnel only.
 - Do not power up the device before installation is complete.
 - All circuit breakers must be in the OFF position before commencing installation.
- Do not install BX6.3_AC100 near or on flammable surfaces.
 - Please mount BX6.3_AC100 tightly on a solid / smooth surface.
 - Install BX6.3_AC100 in a location that prevents damage from flooding.
 - Do not expose BX6.3_AC100 to ambient temperatures above 60°C or below -20°C.
 - Operating or storing BX6.3_AC100 in temperatures outside its specified range might cause damage to BX6.3_AC100.
- Danger to life through electric shock**
 Potentially fatal voltage is applied to the unit during operation. This voltage persists even 60 seconds after disconnection of the power supply. Never open the unit. The unit contains no components that must be maintained or repaired by the operator or installer. Opening the housing will void the warranty.

To establish a successful communication between Inverter Wi-Fi to MyDeltaSolar Cloud, in the Wi-Fi connection setup page, the signal strength must be above -70dBm between each Wi-Fi device (Wi-Fi router, inverter, DC1...etc.). In case the signal strength is below -70dbm, it may cause certain communication errors which may prevent a successful Wi-Fi communication. To avoid such issues, Please adjust the Wi-Fi device position to improve the signal strength/quality.

LED Indicators

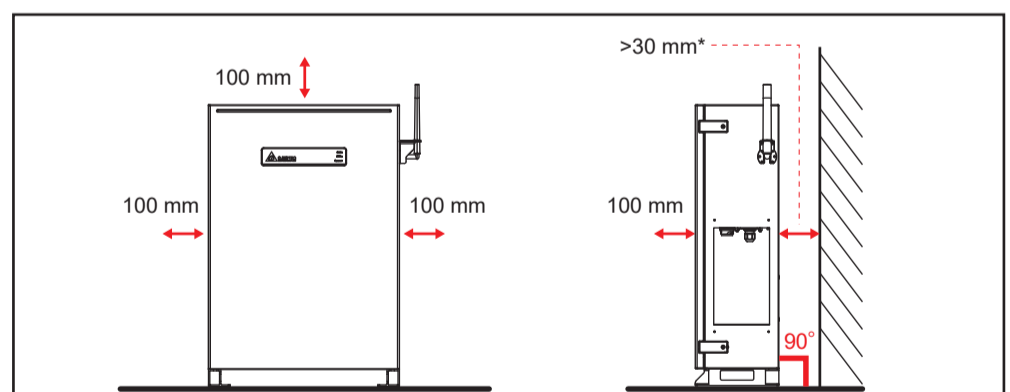


LED	LED Status	Definition
Grid	GREEN ON	On Grid mode
	GREEN FLASH 1s ON/OFF	On Grid count down
	GREEN FLASH 0.1s ON/OFF	Grid setting "default"
	RED ON	PCS Error
SPS (Stand-alone Power System)	GREEN ON	Standalone mode
	GREEN FLASH	Standalone count down
	RED ON	Battery Error
	RED FLASH	Battery Power OFF
Comm.	GREEN ON	Communicating
	OFF	No communication
Grid / SPS	GREEN FLASH	SBMS Balance mode
	Grid ON 1s ↔ SPS ON 1s	SBMS Force_CHG Maintenance Mode

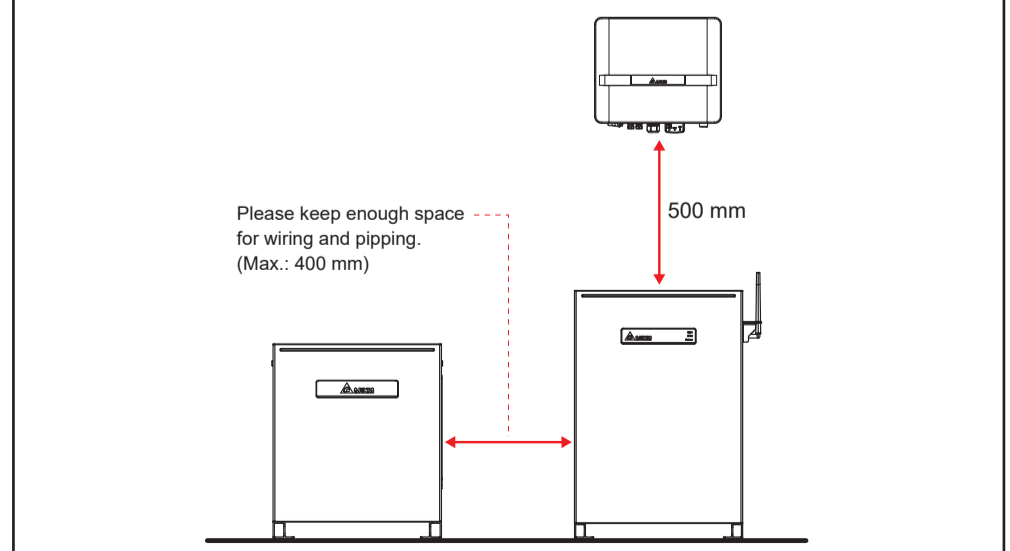
Push Button

Status	Operation	Action
BX6.3_AC100 power OFF	Grid supplied	Power ON the unit (AC start-up)
BX6.3_AC100 power OFF	Power button push > 20 sec (until grid green LED flash)	Power ON the unit (Cold start-up)
BX6.3_AC100 power ON already	Power button push > 1 sec	Power OFF the unit

Installation

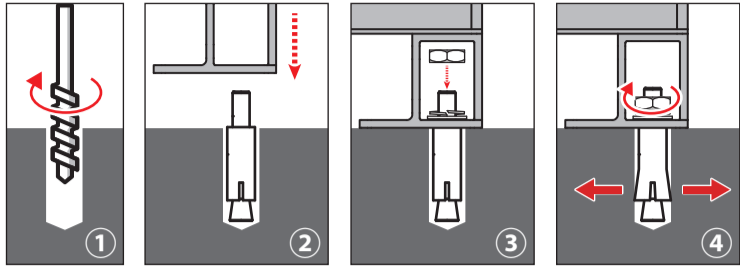


* Please refer to regulation AS/NZS 5139:2019 for detail installation space requirement. To avoid extra fireproof cement sheeting installation requirement, it is recommended to keep at least 300mm between the wall and BX.



Installation

Insert Rawplug

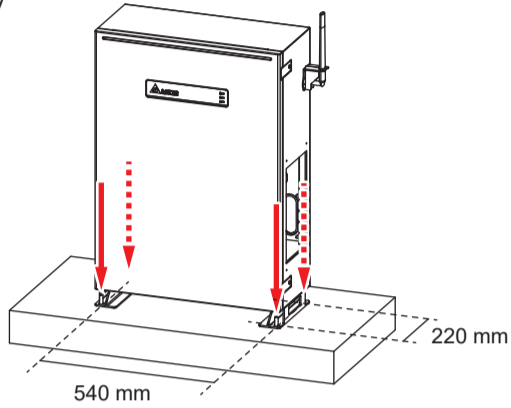


1. Drill 4 holes with $\Phi 16$ mm diameter in dimension 540 mm x 220 mm
2. Insert Rawplug into these hole
3. Put on and fix BX6.3_AC100 firmly

CAUTION !

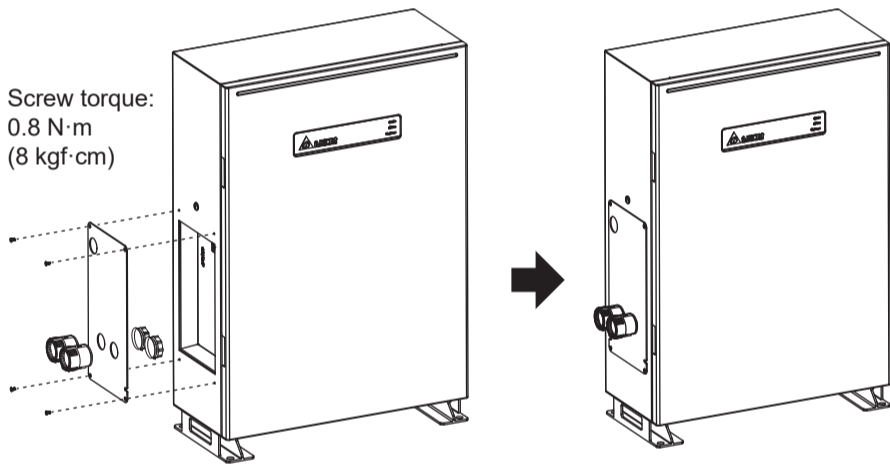


- Please do not install the battery pack on uneven floor surfaces.
- Holes size is 16 mm diameter for attaching the battery pack.



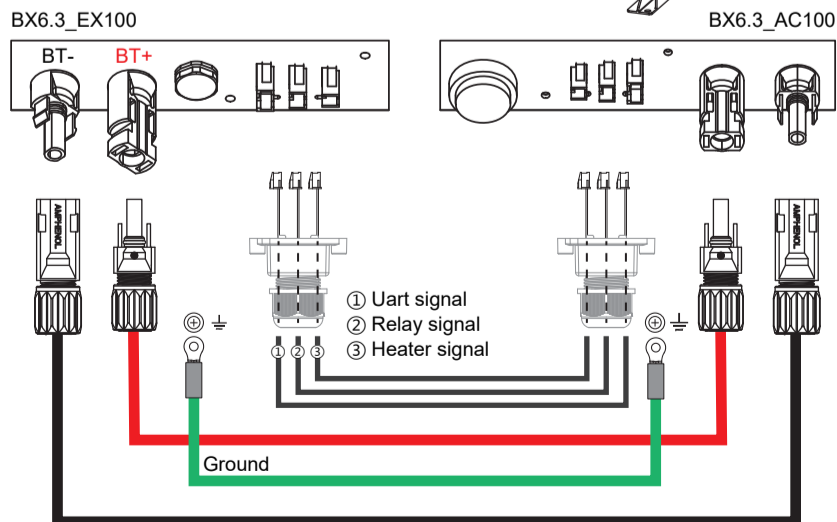
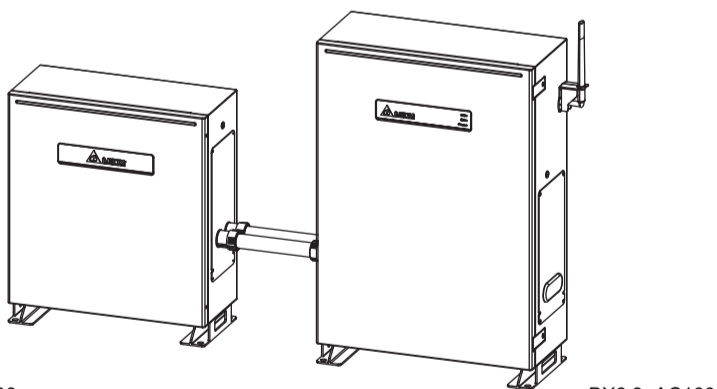
Wiring

Conduit hole(mm)	PF pipe(mm)
$\Phi 34$	$\Phi 28$



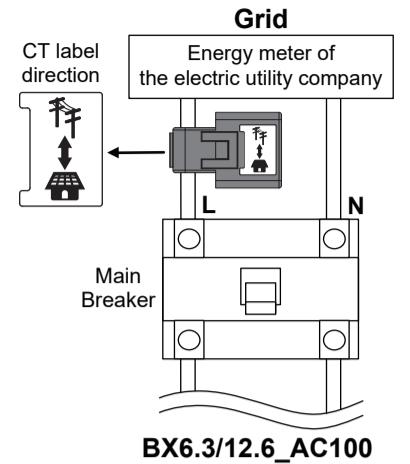
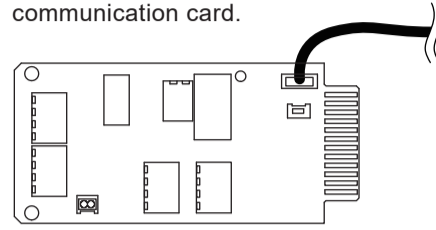
* Please do not remove all the rubber covers on BX6.3_AC100 if BX6.3_EX100 is not installed.

Installation of BX12.6_AC100



Current Transformer installation

1. The CT can be opened.
2. Take the CT clip on the Line conductor wire.
3. please be aware of the CT direction.
Arrow symbol means utility grid.
4. Connect the CT wires to the device.
5. Connect CT wire to the CT port of communication card.



Model	BX6.3_AC100	BX12.6_AC100
GENERAL		
Enclosure	Aluminum with powder coating	
Operating temperature	-10°C * ~ 45°C	
Operating Altitude	0 to 2000m (0 to 6666 ft.)	
Relative humidity	0% – 95% non-condensing.	
Environmental category	Indoor / Outdoor	
Protection degree	IP65 (Electronics)	
Pollution degree	PD 2	
Overtoltage category	AC output :III	
Galvanic isolation	NO	
Safety class	Class I metal enclosure with protective earth	
Weight	77kg	77 kg (BX6.3_AC) + 60 kg (BX6.3_EX)
Dimensions(W*H*D)	570 × 840 × 250 mm	570 × 840 × 250 mm + 520 × 600 × 230 mm
Connectors	Weather resistant connectors	
Audible noise	< 40dB	
BT INPUT		
Type	Li-ion	
Battery Module	Samsung SDI 41J (21700)	
Nominal Battery Capacity	6.3 kWh	12.6 kWh
Usable Battery Capacity	6.17 kWh	12.34 kWh
Typical Voltage	DC 202.7 V	DC 405.4 V
Voltage Range	DC 175 - 228 V	DC 350 - 456 V
Depth of Discharge (DoD)	98 %	
AC INPUT / OUTPUT		
Nominal power	3000 VA	4500 VA
Maximum power	3000 VA	4500 VA
Voltage	According to country setting (Programmable 230Vac ± 20%)	
On Grid Nominal current	13 A	19.6 A
Stand-Alone Nominal current	13 A	19.6 A
Inrush current	16 A / 100 us	
Maximum output fault current (rms)	25 A	25 A
Maximum overcurrent protection	25 A	25 A
Frequency	Rated 50/60 Hz (Programmable 45-65 Hz)	
Active anti-islanding method	Reactive power injection	
Total harmonic distortion	< 3 %	
Power factor	> 0.99 @ full power	
Output current DC component	< 0.5% rated current	
Tare loss	< 10 W	
Maximum efficiency	96.5%	
SYSTEM INFORMATION / COMMUNICATION		
User interface	Wi-Fi connection	
	365 days data logger and real time clock	
External communication	30 events record	
	2 RS-485 connections	
REGULATIONS & DIRECTIVES		
CE conformity	Yes	
Grid interface	AS/NZS 4777.2 :2015	
Emission	EN 61000-6-3	
Harmonics	EN 61000-3-2	
Variations and flicker	EN 61000-3-3	
Immunity	EN 61000-6-2	
Immunity	ESD	IEC 61000-4-2
	RS	IEC 61000-4-3
	EFT	IEC 61000-4-4
	Surge	IEC 61000-4-5
	CS	IEC 61000-4-6
	PFMF	IEC 61000-4-8
Electrical safety	IEC 62619:2017, IEC 62040-1:2017	

* 0 degree for the first time installation.