



## Grid-tie Transformerless Solar Inverter

M100A\_280 / M100A\_283 / M110A\_283  
Operation and Installation Manual

English ..... 1

繁體中文 ..... 85

[www.deltaww.com](http://www.deltaww.com)

 **DELTA**  
Smarter. Greener. Together.



# Contents

- 1 Safety . . . . . 8**
  - 1.1 Information of the Inverter . . . . . 8
    - 1.1.1 Legal Provisions . . . . . 8
    - 1.1.2 Target Group . . . . . 8
  - 1.2 General Safety . . . . . 9
    - 1.2.1 Condition of Use . . . . . 9
    - 1.2.2 Symbols . . . . . 10
- 2 Introduction . . . . . 12**
  - 2.1 Valid Model . . . . . 12
  - 2.2 Product Overview . . . . . 13
- 3 Installation . . . . . 17**
  - 3.1 Unboxing & Review . . . . . 17
  - 3.2 Mechanical Installation . . . . . 19
    - 3.2.1 Wall mount . . . . . 20
    - 3.2.2 Ground Mount (optional) . . . . . 25
  - 3.3 Cable Routing . . . . . 27
  - 3.4 Electrical Installation for AC Wiring . . . . . 28
    - 3.4.1 AC Grid Types and Connections . . . . . 29
    - 3.4.2 Required Protective Devices . . . . . 29
    - 3.4.3 Preparation for AC Wires Connection . . . . . 30
    - 3.4.4 Preparation for PE cables Connection . . . . . 30
    - 3.4.5 Install PE Cable . . . . . 31
    - 3.4.6 AC Wiring of M100A\_280 . . . . . 34
    - 3.4.7 AC Wiring of M100A\_283 / M110A\_283 . . . . . 35
  - 3.5 Electrical Installation for DC Wiring . . . . . 36
    - 3.5.1 Preparation for DC Wires Connection . . . . . 37
    - 3.5.2 Assemble DC connectors . . . . . 37
    - 3.5.3 DC Wiring Installation . . . . . 38
  - 3.6 Communication . . . . . 40
    - 3.6.1 RS-485 Connection . . . . . 41
    - 3.6.2 EPO Function & Digital Input . . . . . 43
    - 3.6.3 Dry Contact Connection . . . . . 44

- 4 Commissioning . . . . . 45**
  - 4.1 Display Operation Introduction . . . . . 46
  - 4.2 Commission an Inverter Individually – Bluetooth . . . . . 47
  - 4.3 Commission multiple inverters – Auto ID Function . . . . . 49
    - 4.3.1 Commission Setting (DSS) . . . . . 49
    - 4.3.2 Scan inverter . . . . . 50
    - 4.3.3 Set ID . . . . . 51
    - 4.3.4 Set Country . . . . . 52
    - 4.3.5 Synchronize time . . . . . 52
  - 4.4 Delta Function Setting . . . . . 53
- 5 Maintenance . . . . . 54**
  - 5.1 Open and Close the Door . . . . . 54
    - 5.1.1 Disconnect from Voltage Sources . . . . . 54
    - 5.1.2 Open the Door . . . . . 54
    - 5.1.3 Close the Door . . . . . 54
  - 5.2 Replacement of Surge Protection Devices (SPD) . . . . . 57
    - 5.2.1 Removing AC SPD . . . . . 58
    - 5.2.2 Installing AC SPD . . . . . 59
    - 5.2.3 Removing DC SPD . . . . . 60
    - 5.2.4 Installing DC SPD . . . . . 61
  - 5.3 Smart Fans Replacement and Filter Cleaning . . . . . 62
    - 5.3.1 Location of failure fan . . . . . 63
    - 5.3.2 Power Module (PM) Fan Tray . . . . . 63
    - 5.3.3 Internal Fan 1 . . . . . 65
    - 5.3.4 Internal Fan 2 . . . . . 67
  - 5.4 De-Commissioning . . . . . 69
- 6 Error Message and Trouble Shooting . . . . . 70**
  - 6.1 Error Codes (Field Fault) . . . . . 70
  - 6.2 Fault Codes (Inverter Fault) . . . . . 71
  - 6.3 Warning Codes (Field Warning) . . . . . 73
  - 6.4 Warning Codes (Inverter Warning) . . . . . 73
- 7 Technical Information . . . . . 74**
- Appendix: Assembly Note . . . . . 81**

# Figure

- Figure 2-1: Components . . . . . 13
- Figure 2-2: Overview . . . . . 14
- Figure 2-3: Rating label . . . . . 15
- Figure 2-4: Layout . . . . . 16
- Figure 3-1: The step to unpackage the inverter . . . . . 17
- Figure 3-2: Lift the inverter . . . . . 18
- Figure 3-3: Permitted mounting positions . . . . . 19
- Figure 3-4: Inverter dimensions . . . . . 21
- Figure 3-5: Mounting bracket dimensions . . . . . 21
- Figure 3-6: Positions of mounting screws . . . . . 22
- Figure 3-7: Required mounting clearances . . . . . 23
- Figure 3-8: Separation distance of plural inverters . . . . . 24
- Figure 3-9: Lock the grounded brackets to feet . . . . . 25
- Figure 3-10: To secure inverter grounded brackets to ground-mounting base . . . . . 26
- Figure 3-11: Cable routing . . . . . 27
- Figure 3-12: Location for internal PE terminal - single core cable . . . . . 31
- Figure 3-13: Location for internal PE terminal - multi-core cable . . . . . 32
- Figure 3-14: Mount the equipment grounding . . . . . 33
- Figure 3-15: Location for AC terminal of M100A\_280 . . . . . 34
- Figure 3-16: Location for AC terminal of M100A\_283 / M110A\_283 . . . . . 35
- Figure 3-17: Location of H4 connectors to connect array wiring (DC) . . . . . 39
- Figure 3-18: Communication Module . . . . . 40
- Figure 3-19: Gland for communication . . . . . 40
- Figure 3-20: Multiinverter connection illustration . . . . . 42
- Figure 3-21: EPO function terminal block . . . . . 43
- Figure 3-22: Dry Contact connection . . . . . 44
- Figure 4-1: DC Switches . . . . . 45
- Figure 4-2: Front Panel Display . . . . . 46
- Figure 4-3: Steps to commission via bluetooth (1-3) . . . . . 47
- Figure 4-4: Steps to commission via bluetooth (4-7) . . . . . 48
- Figure 4-5: DSS Commission setting . . . . . 49
- Figure 4-6: Steps of scanning inverters . . . . . 50
- Figure 4-7: Steps of ID setting . . . . . 51
- Figure 4-8: Steps of country setting . . . . . 52
- Figure 4-9: Steps of time synchronization . . . . . 52

Figure 5-1: Open the door . . . . . 55

Figure 5-2: To secure door by hexagon driver . . . . . 55

Figure 5-3: Remove the door . . . . . 56

Figure 5-4: Close the door . . . . . 56

Figure 5-5: SPD modules . . . . . 57

Figure 5-6: Remove the protective cover . . . . . 58

Figure 5-7: Remove sensing cable and screws . . . . . 59

Figure 5-8: Remove the protective cover . . . . . 60

Figure 5-9: Remove sensing cable and screws . . . . . 61

Figure 5-10: The corresponding fan location to the fan fail code on DSS. . . . . 63

Figure 5-11: Disassembling fan tray from PM chassis . . . . . 64

Figure 5-12: Internal fan 1 location & remove the shield cover . . . . . 65

Figure 5-13: Take off the internal fan 1. . . . . 66

Figure 5-14: Replace with a new fan. . . . . 66

Figure 5-15: Internal fan 2 location & remove the shield cover . . . . . 67

Figure 5-16: Take off the internal Fan 2 . . . . . 68

Figure 5-17: Replace with a new fan. . . . . 68

Figure 7-1: Efficiency Curve . . . . . 76

Figure 7-2: Power Derating Curve with Ambient Temperature (400 Vac) . . . . . 77

Figure 7-3: Power Derating Curve with Ambient Temperature (380 Vac) . . . . . 77

Figure 7-4: Power Derating Curve with Ambient Temperature (480 Vac) . . . . . 78

Figure 7-5: Power De-rating Curves with PV Voltage (380 Vac) . . . . . 78

Figure 7-6: Power De-rating Curves with PV Voltage (400 Vac) . . . . . 79

Figure 7-7: Power De-rating Curves with PV Voltage (480 Vac) . . . . . 80

# Table

|   |    |
|---|----|
| Table 2-1: Packing list . . . . .                                       | 13 |
| Table 2-2: Overview description . . . . .                               | 14 |
| Table 2-3: Rating label explanation . . . . .                           | 15 |
| Table 2-4: Layout description . . . . .                                 | 16 |
| Table 3-1: Recommended AC circuit breaker rating . . . . .              | 29 |
| Table 3-2: Recommendation of multi-core and single-core cable . . . . . | 30 |
| Table 3-3: Recommendation of PE cable . . . . .                         | 30 |
| Table 3-4: Specification of PE gland . . . . .                          | 31 |
| Table 3-5: Specification of M100A_280 AC gland . . . . .                | 32 |
| Table 3-6: Specification of M100A_283 / M110A_283 AC gland . . . . .    | 35 |
| Table 3-7: RS-485 Terminal block wiring . . . . .                       | 41 |
| Table 3-8: Bus Termination switch settings . . . . .                    | 42 |
| Table 3-9: Definition of digital input & EPO function . . . . .         | 43 |
| Table 4-1: LED indicator . . . . .                                      | 45 |
| Table 6-1A: Error Codes (Field Fault) and Messages . . . . .            | 70 |
| Table 6-2A: Fault Codes (inverter fault) & Messages . . . . .           | 72 |
| Table 6-2B: Fault Codes (inverter fault) & Messages . . . . .           | 73 |
| Table 6-3A: Warning Codes (Field warning) & Messages . . . . .          | 73 |
| Table 6-4A: Warning Codes (inverter warning) & Messages . . . . .       | 73 |
| Table 7-1A: Specifications . . . . .                                    | 74 |
| Table 7-1B: Specifications . . . . .                                    | 75 |
| Appendix-1: Assembly Note-1 . . . . .                                   | 81 |
| Appendix-2: Assembly Note-2 . . . . .                                   | 82 |
| Appendix-3: Assembly Note-3 . . . . .                                   | 83 |

# 1 Safety

## 1.1 Information of the Inverter

### 1.1.1 Legal Provisions

Copyright – DELTA ELECTRONICS, INC. - All rights reserved.

This manual is attached with the product for the end-users, which technical instructions and illustrations contained are the property belonging to DELTA ELECTRONICS, INC. Please get permission before quoting or reproducing.

The user may not divulge the contained information in this manual or use it for an abnormal purpose.

All information and specification in this manual could be updated without notice; please get the latest issued one on the DELTA official website or contact with Delta Service Team.

DELTA ELECTRONICS, INC. shall have no obligation to the injury risk or property loss claims when the cause is:

- Improperly install and/or repair the product.
- Did not follow this user manual instruction to use the product.
- Improper transportation or unpacking causes the product is damaged.

### 1.1.2 Target Group

This manual is suitable for the technician who has been trained with below mechanical and electrical knowledge.

- Fundamentals of electricity, cable wiring, components, and symbols of power electric.
- Basic principle of PV inverter.
- Installation and commissioning of electrical devices.
- Safety operation to prevent the risk of injury
- Compliance with all safety information in this manual.



## 1.2 General Safety

### ATTENTION : INSTALL BY INSTRUCTION



- Please read this manual in detail to get the correct instruction for the installation.

The product is certified to operate in the industrial environment, which means its design, verification, or production fulfill the safety requirement standard. To ensure the PV system can operate well for the long-term and keep the danger of injury or property loss away. Please follow the safety instruction in this manual to install the product.

### ATTENTION : NO GALVANIC ISOLATION



- This inverter is Transformerless design; there is no galvanic transformer to isolate between DC and AC. Please ensure it fulfills the request of the PV system design.
- Every PV string must be isolated from the earth.  
Do not ground either side of the PV array!
- Grounding L1, L2, L3, or N terminal is prohibited; it could cause an imbalanced residual current to damage the inverter and void the product warranty.

### 1.2.1 Condition of Use

- M100A\_280/283 and M110A\_283 is a transformerless PV inverter with 8 MPP tracking inputs, which converts the energy generated by the PV array to a three-phase current via a high-efficient way and feeds into the utility grid.
- To ensure the inverter operates with high-performance, the PV array should be compatible with the inverter (please refer to **Chapter 3.5**).
- The PV array with a parasitic capacitance to Ground may not exceed 10 $\mu$ F.
- Suitable for industrial environment.
- The inverter should be operated in regions that are approved by DELTA and the grid operator.

## 1.2.2 Symbols

Symbols are defined seven-category which relate to the different risk levels of injury. Please ensure to follow the instruction of the manual to install and operate the product.

### **DANGER!**



- This warning indicates an immediate hazard which will lead to death or serious injury.

### **WARNING !**



- This warning indicates a hazardous condition which may lead to death or serious injury.

### **CAUTION !**



- This warning indicates a hazardous condition which may lead to minor injury.

### **ATTENTION**



- This warning indicates a condition of potential damage to property and/or the environment.

**INFORMATION**

- An exclamation mark enclosed in a double circle indicates additional important information is contained in the following section and the user should follow the instructions to prevent any hazards.

**DANGER : ELECTRICAL HAZARD!!**

- This warning indicates an immediate electrical hazard that unheeded can lead to death or serious injury.

**CAUTION : HOT SURFACES, DO NOT TOUCH!**

- This warning indicates a potential burn hazard.
- Use care when touching surfaces when operating the product.
- Do not perform any task until the product cools down sufficiently.



- This icon indicates that a prescribed time delay must elapse before engaging in an indicated action.



- This symbol indicates the location of an equipment grounding conductor (EGC) terminal.

## 2 Introduction

This transformerless 3Ø PV inverter is a state-of-the-art design that offers high efficiency, long-life, and low EMI operation. Its enclosure is IP66 provides outdoor use capability. Therefore, This product is suitable for commercial or industrial environments.

### ATTENTION : NO GALVANIC ISOLATION



- This product utilizes a transformerless design that does not provide an isolation transformer inside; Therefore, this inverter has no galvanic isolation between the DC and AC sides.
- PV array circuits connected must be floating with the ground. Thus, Terminals L1, L2, L3, or N can not be grounding directly.

### ATTENTION : Intended for Industrial Environments



- M100A\_280/283 and M110A\_283 has been tested and found to comply with the limits for IEC 62920 Class A which is designed to provide reasonable protection against harmful interference in the industrial environment operation.
- This device generates radiofrequency energy, please accord this manual to install and use.
- Operation in a residential area could cause harmful interference.

### 2.1 Valid Model

The user manual is valid for the following device types:

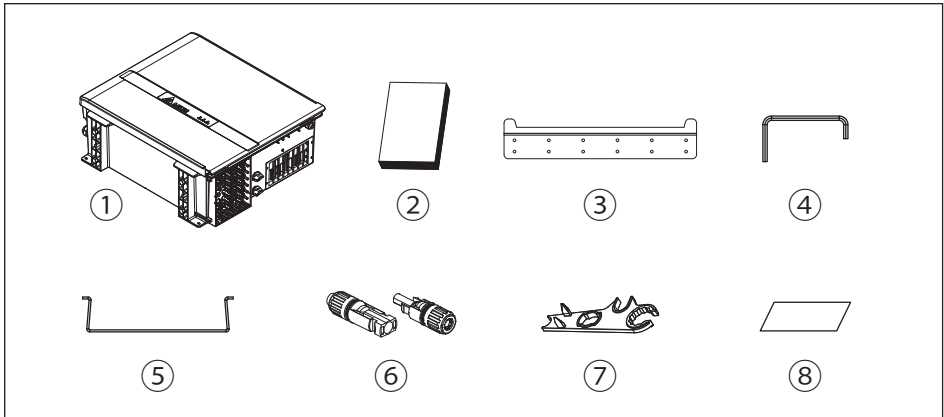
- M100A\_280
- M100A\_283
- M110A\_283

This user manual must be followed during installation, operation, and maintenance.

DELTA reserves the right to make modifications to the content and technical data in this user manual without prior notice.

## 2.2 Product Overview

The components is shown as **Figure 2-1**.



**Figure 2-1: Components**

**Table 2-1: Packing list**

| M100A_280 / M100A_283 / M110A_283 |   |          |  |
|-----------------------------------|---|----------|--|
|                                   | Object  | Qty      | Description  |
| 1                                 | Delta Solar Inverter                              | 1 pc     | Solar inverter   |
| 2                                 | User Manual                                       | 1 pc     | Important instructions for solar inverter. Safety instructions should be followed during installation and maintenance. |
| 3                                 | Mounting Bracket                                  | 1 pc     | Wall mounting bracket<br>(Material: Aluminum/Thickness: 3mm)   |
| 4                                 | Hexagon Driver<br>(Installed on latch lock cover) | 1 pc     | Keep the door being open.<br>Can unscrew the latch lock cover screw.   |
| 5                                 | Protective Frame                                  | 6 pcs    | Protect DC connectors  |
| 6                                 | H4 Connector                                      | 16 pairs | DC string inputs   |
| 7                                 | H4 Wrench   | 2 pcs    | To disconnect H4 connector   |
| 8                                 | Security Seal                                     | 3 pcs    | Tamper stickers for Taiwan use only  |

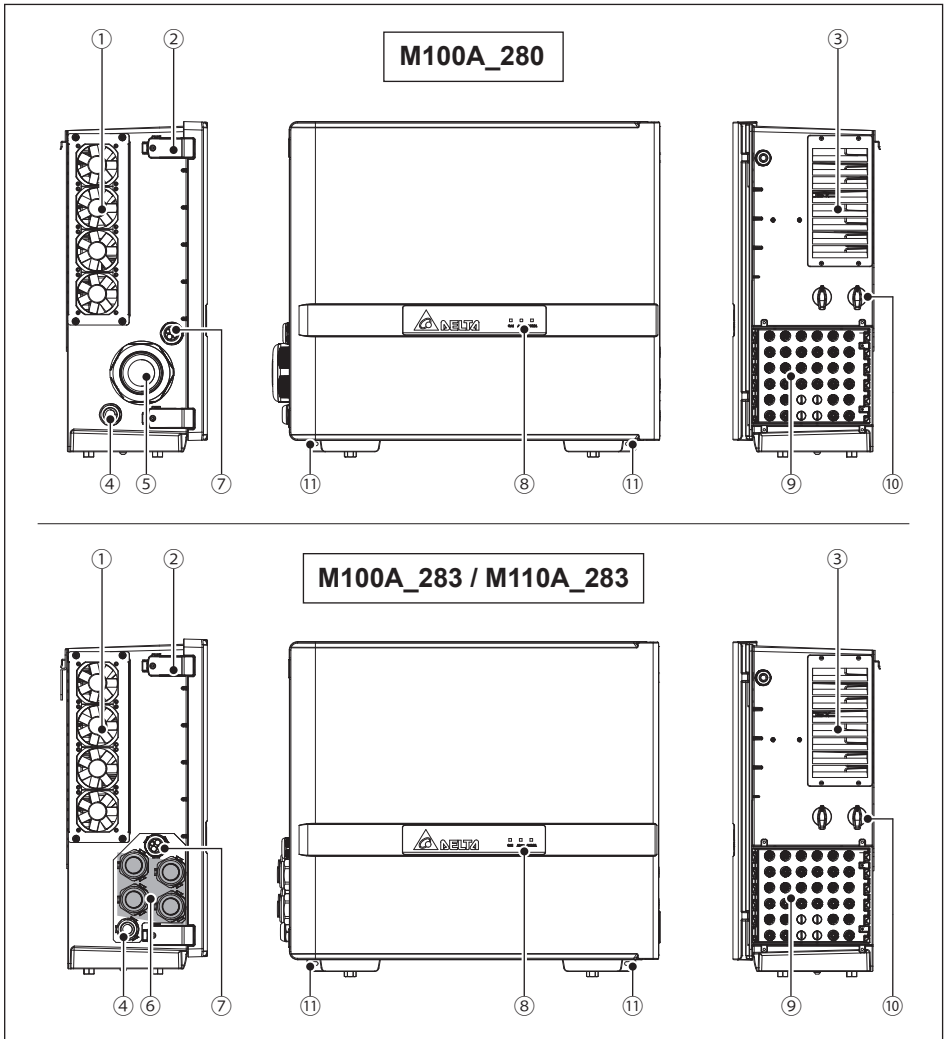












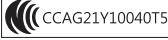

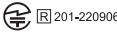
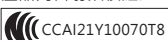



Figure 2-2: Overview

Table 2-2: Overview description







| NO. | Component                      | NO. | Component                | NO. | Component                   |
|-----|--------------------------------|-----|--------------------------|-----|-----------------------------|
| 1   | External fans                  | 2   | Toggle Latch             | 3   | Air cooling outlet          |
| 4   | Gland for PE wiring            | 5   | AC output                | 6   | 4x M40 glands for AC Output |
| 7   | Gland for communication wiring | 8   | LED Indicators           | 9   | DC Input (H4) x 16 strings  |
| 10  | DC switches                    | 11  | External grounding point |     |                             |

**Figure 2-3**, below, shows the certification and rating label.  
**Table 2-3**, defines the symbol markings on this label.

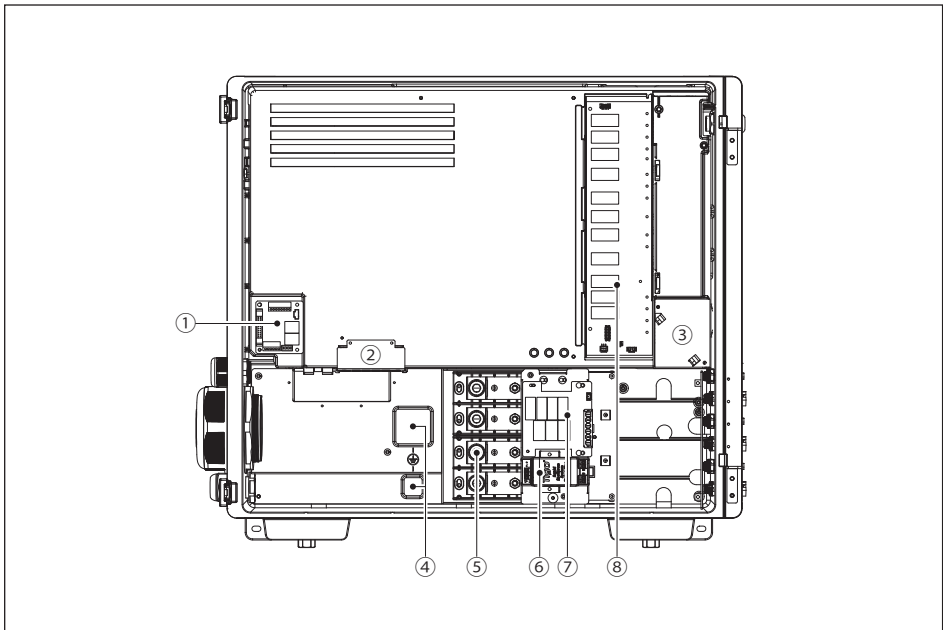
|   |   |  |
|---|---|--|
| <p>Model / 型號 <b>M100A_280</b><br/> Solar Inverter / 太陽能變壓器<br/> P/N: RP1104M280XXX</p>  <p>DC Input / 直流輸入<br/> Max. Input Voltage / 最大輸入電壓 1000 Vd.c.<br/> MPP Voltage Range / MPP電壓範圍 520 ~ 840 Vd.c.<br/> Max. Input Current / 最大輸入電流 8 x 30 Ad.c.<br/> Max. Short Circuit Current / 最大短路電流 8 x 50 Ad.c.</p> <p>AC Output / 交流輸出<br/> Nominal Output Voltage / 額定工作電壓 380(400)/440/480 Va.c.<br/> Max. Continuous Output Current / 最大輸出電流 168/168/133 Aa.c.<br/> Nominal Output Power / 額定輸出功率 100 kW / 100 kVA<br/> Max. Continuous Output Power / 最大輸出功率 110 kW / 110 kVA<br/> Nominal Output Frequency / 額定工作頻率 50 / 60 Hz<br/> Connection Type / 連接形式 303W / 304W, PE<br/> Power Factor / 功率因數 0.8 lead ~ 0.8 lag</p> <p>Protection Class / 保護等級 I<br/> Over Voltage Category / 過電壓等級 III (AC), II (DC)<br/> Ingress Protection / 防護等級 IP65<br/> Operating Temperature Range / 操作溫度範圍 -25 ~ +60°C<br/> Non-isolated inverter 非隔離型變流器</p> <p>VDE-AR-N 4105<br/> VDE-AR-N 4110</p>    | <p>Model / 型號 <b>M100A_283</b><br/> Solar Inverter / 太陽能變壓器<br/> P/N: RP1104M283XXX</p>  <p>DC Input / 直流輸入<br/> Max. Input Voltage / 最大輸入電壓 1000 Vd.c.<br/> MPP Voltage Range / MPP電壓範圍 520 ~ 840 Vd.c.<br/> Max. Input Current / 最大輸入電流 8 x 30 Ad.c.<br/> Max. Short Circuit Current / 最大短路電流 8 x 50 Ad.c.</p> <p>AC Output / 交流輸出<br/> Nominal Output Voltage / 額定工作電壓 380(400)/440/480 Va.c.<br/> Max. Continuous Output Current / 最大輸出電流 168/168/133 Aa.c.<br/> Nominal Output Power / 額定輸出功率 100 kW / 100 kVA<br/> Max. Continuous Output Power / 最大輸出功率 110 kW / 110 kVA<br/> Nominal Output Frequency / 額定工作頻率 50 / 60 Hz<br/> Connection Type / 連接形式 303W / 304W, PE<br/> Power Factor / 功率因數 0.8 lead ~ 0.8 lag</p> <p>Protection Class / 保護等級 I<br/> Over Voltage Category / 過電壓等級 III (AC), II (DC)<br/> Ingress Protection / 防護等級 IP65<br/> Operating Temperature Range / 操作溫度範圍 -25 ~ +60°C<br/> Non-isolated inverter 非隔離型變流器</p> <p>VDE-AR-N 4105<br/> VDE-AR-N 4110</p>    | <p>Model / 型號 <b>M110A_283</b><br/> Solar Inverter / 太陽能變壓器<br/> P/N: RP1104M283005</p>  <p>DC Input / 直流輸入<br/> Max. Input Voltage / 最大輸入電壓 1000 Vd.c.<br/> MPP Voltage Range / MPP電壓範圍 520 ~ 840 Vd.c.<br/> Max. Input Current / 最大輸入電流 8 x 30 Ad.c.<br/> Max. Short Circuit Current / 最大短路電流 8 x 50 Ad.c.</p> <p>AC Output / 交流輸出<br/> Nominal Output Voltage / 額定工作電壓 380(400)/440/480 Va.c.<br/> Max. Continuous Output Current / 最大輸出電流 168/168/133 Aa.c.<br/> Nominal Output Power / 額定輸出功率 100 kW / 100 kVA<br/> Max. Continuous Output Power / 最大輸出功率 110 kW / 110 kVA<br/> Nominal Output Frequency / 額定工作頻率 50 / 60 Hz<br/> Connection Type / 連接形式 303W / 304W, PE<br/> Power Factor / 功率因數 0.8 lead ~ 0.8 lag</p> <p>Protection Class / 保護等級 I<br/> Over Voltage Category / 過電壓等級 III (AC), II (DC)<br/> Ingress Protection / 防護等級 IP65<br/> Operating Temperature Range / 操作溫度範圍 -25 ~ +60°C<br/> Non-isolated inverter 非隔離型變流器</p> <p>VDE-AR-N 4105<br/> VDE-AR-N 4110</p>    |
| <p>產品內含射頻模組:<br/> <br/> The product contains RF module.<br/> FCC ID: 2ARTO-RP1703M26000C</p>   <p>201-220906</p>   | <p>產品內含射頻模組:<br/> <br/> </p>  |  |

**Figure 2-3: Rating label**

**Table 2-3: Rating label explanation**

| Symbol  | Definition   |  |
|---|--|--|
|  | <p><b>Danger to life through electric shock</b><br/> Potentially fatal voltage is applied to the inverter during operation.<br/> This voltage persists even 60 seconds after disconnection of the power supply.<br/> Never open the inverter. The inverter contains no components that must be maintained or repaired by the operator/installer. Opening the housing will void the warranty.</p> |  |
|  | <p>This inverter is not separated from the grid with a transformer.</p>  |  <p>Before working with the inverter, you must read the supplied manual and follow the instructions contained therein.</p>  |
|  | <p>The housing of the inverter must be grounded if this is required by local regulations.</p>  |  <p><b>WEEE marking</b><br/> The inverter must not be disposed of as standard household waste, but in accordance with the applicable electronic waste disposal regulations of your country or region.</p> |
|  | <p>This product has undergone and completed Bluetooth qualification and declaration.</p>   |  |

**Figure 2-4** illustrate the general layout of the inverter chassis and wiring area. The wiring area includes terminals for connection of the output (AC) wiring, surge protection devices (SPD).



**Figure 2-4:** layout

**Table 2-4:** layout description

| NO. | Component                | NO. | Component      | NO. | Component             |
|-----|--------------------------|-----|----------------|-----|-----------------------|
| 1   | Communication module     | 2   | Internal fan 2 | 3   | Internal fan 1        |
| 4   | Internal grounding point | 5   | AC terminal    | 6   | Rapid Shutdown system |
| 7   | AC Type II SPD           | 8   | DC Type II SPD |     |                       |



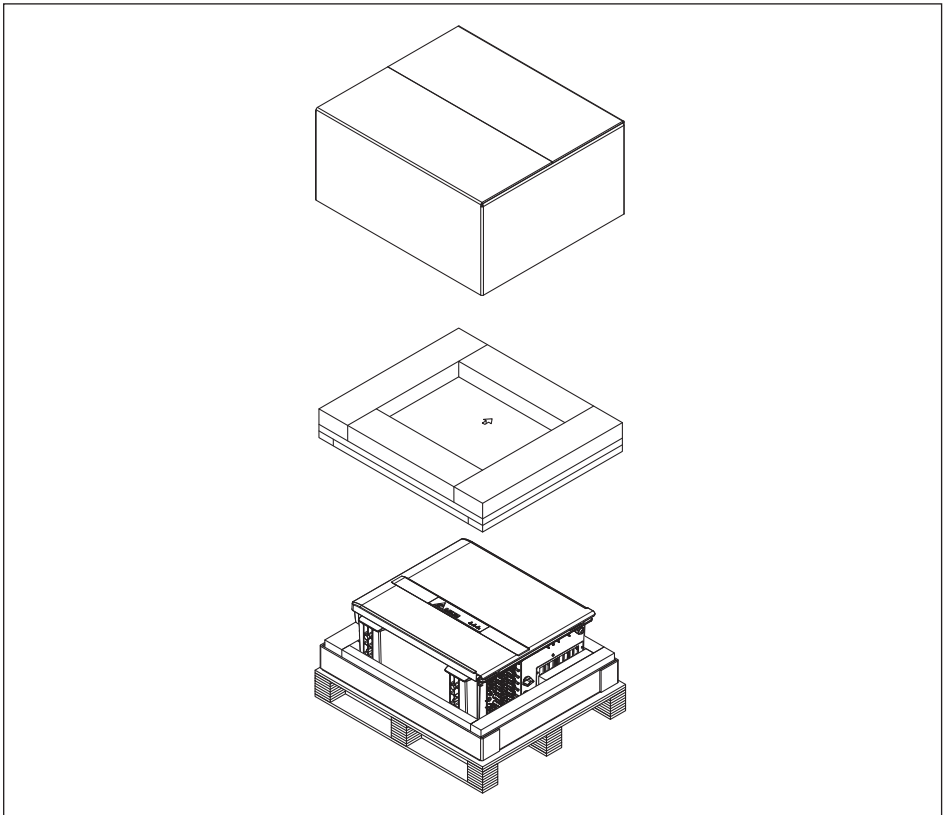
## 3 Installation

The chapter contains instructions for

- (1) Mechanical installation
- (2) Electrical Installation
- (3) Communication setup

### 3.1 Unboxing & Review

Unpacking the inverter, please follow the procedure shown as **Figure 3-1**. It could be transported by 2 people (**Figure 3-2**).



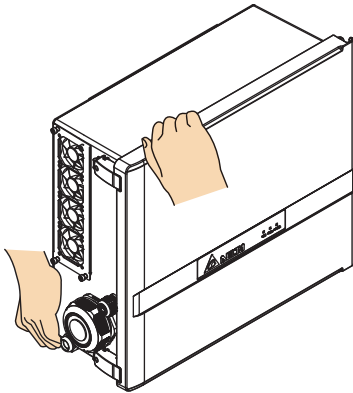
**Figure 3-1: The step to unpacking the inverter**

#### CAUTION !



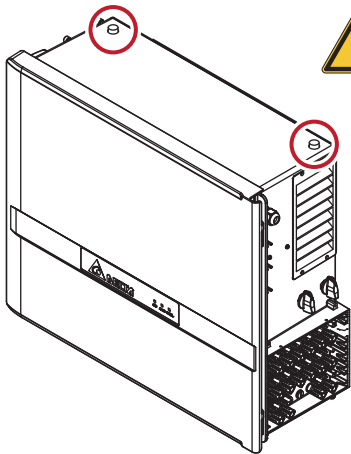
- Need more than two people to stand up.
- It is recommended to install the grounded brackets first at this step for ground mount installation. For detailed installation methods, please see **section 3.2**.

Manual handling

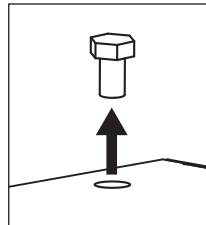


Do not hold fan, fan shutter, AC gland, DC switches or DC connector, it may cause damage to certain components.

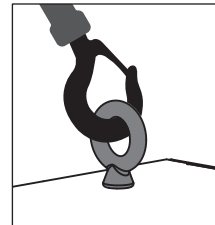
Hoisting



After hoisting, please keep the screw plugs on the casing to prevent water from entering.



Screw plug  
(4 N-m)

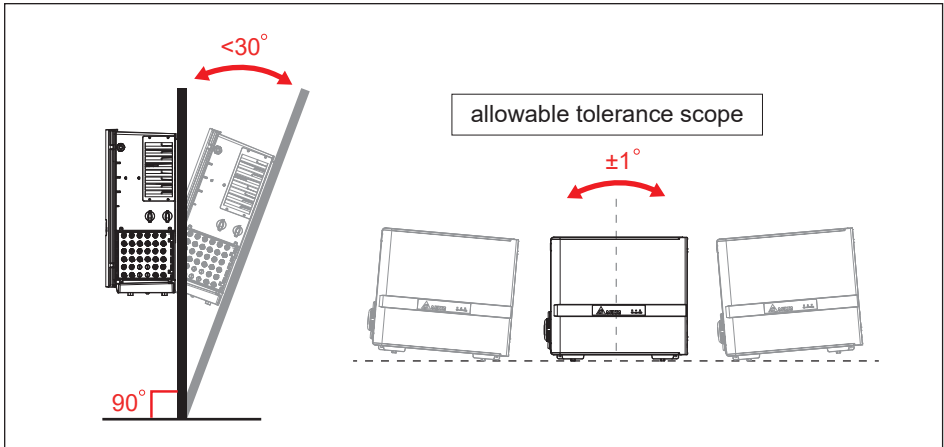


Hoisting ring  
(M12 x P1.75, L ≤ 20 mm)  
(42 N-m)

Figure 3-2: Lift the inverter

## 3.2 Mechanical Installation

The inverter can only be carried out vertically, the tilting must be in the range of the maximum inclination as **Figure 3-3**.



**Figure 3-3: Permitted mounting positions**

### WARNING !

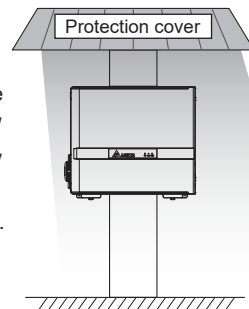


- Do not install the unit near or on flammable surfaces.
- Inverter must be mounted securely to a solid / smooth surface.

### CAUTION !



To avoid malfunction of inverter caused by extreme weather (ex: snow, hail...etc) or non-proper installation/maintenance, an additional protection cover is strongly recommended to be installed by DELTA. For more details, please contact local service team.



**CAUTION !**



- The product supports wireless communication.
- Install the product as far away as possible from devices that emit strong radio waves, such as civil band radio equipment.
- Do not install the product in metal box and make sure there is no metal barrier between the product and connecting devices to prevent the communication signal attenuation.
- When using Bluetooth to connect the inverter, make sure the device is operated in front of the inverter within 1.5 m for the best communication quality.

### 3.2.1 Wall Mount

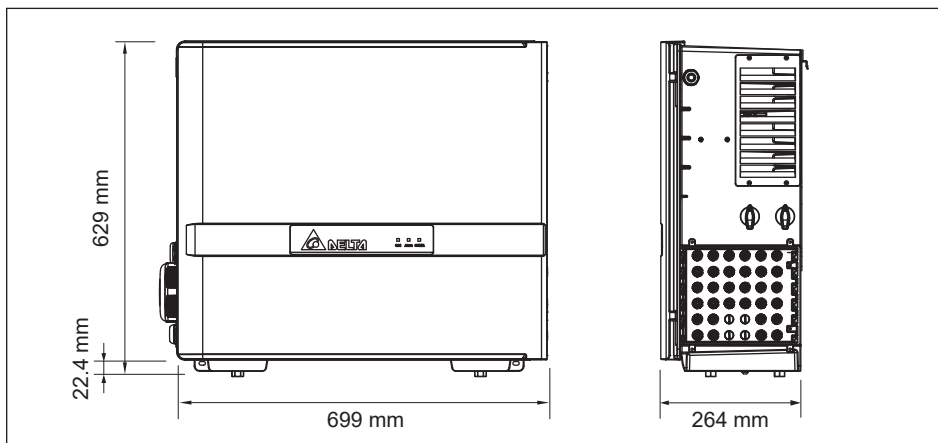
Refer to **Figure 3-4** through **Figure 3-8**.

1. Ensure the surface to which the unit is to be mounted is sufficiently strong enough to carry the weight.
2. Orient the wall bracket (**Figure 3-5**) horizontally (perpendicular to the floor).
3. Secure the mounting bracket on the wall with 12 M6 screws. (**Figure 3-6**)
4. Hang the inverter on the wall mounting bracket.
5. Two external grounding points can help to fix the inverter by 2 M8 screws.

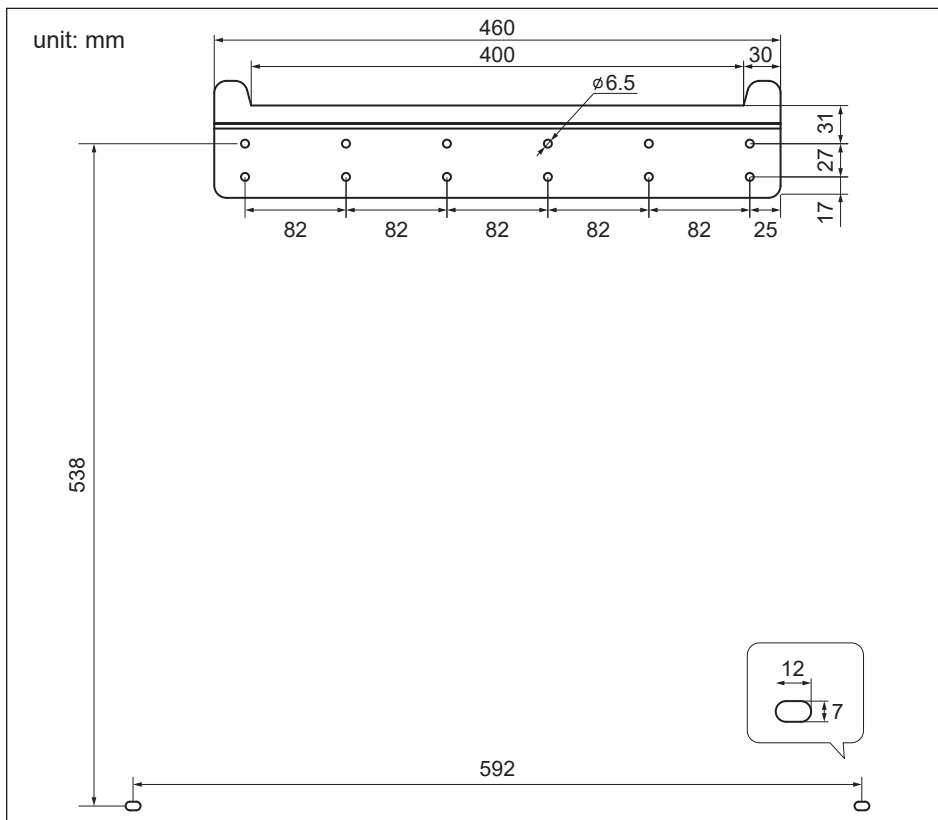
**CAUTION !**



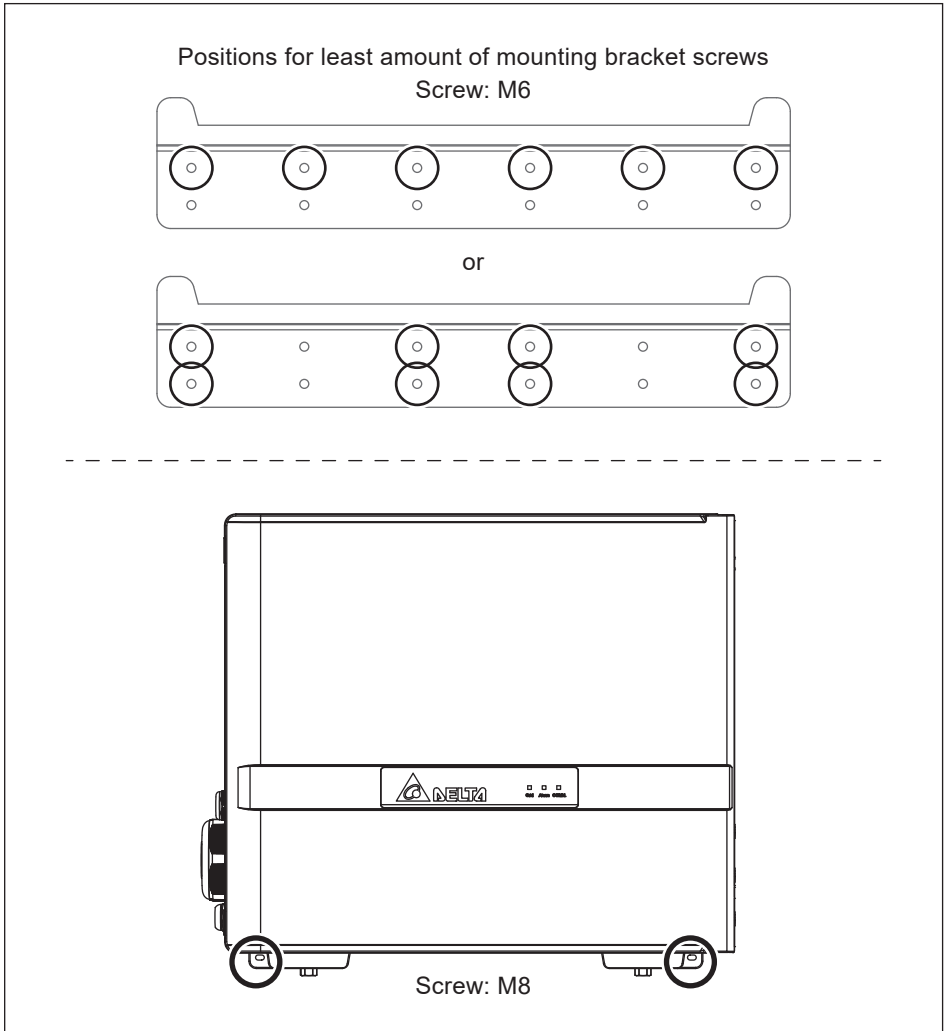
- The mounting bracket shipped with the unit is specially designed and is the only certified mounting device for mounting the inverter.
- Secure the mounting bracket on the wall with at least 8 M6 screws.



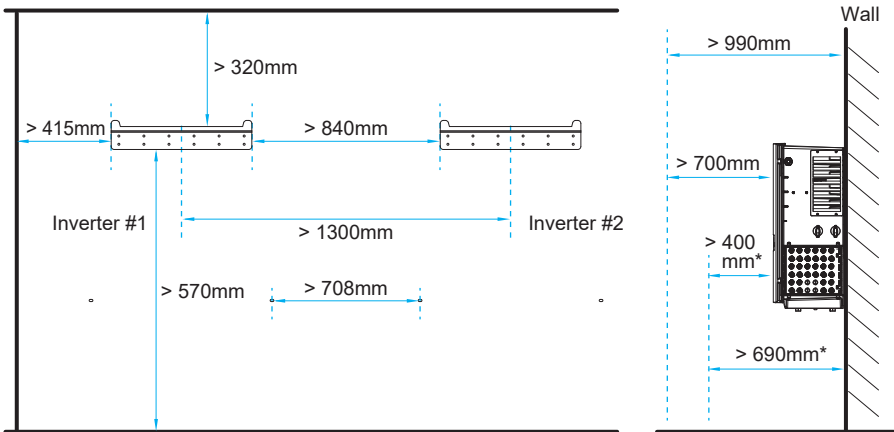
**Figure 3-4: Inverter dimensions**



**Figure 3-5: Mounting bracket dimensions**



**Figure 3-6 : Positions of mounting screws**



\* If wiring without door. (To remove the door, please refer to **Chapter 5**)

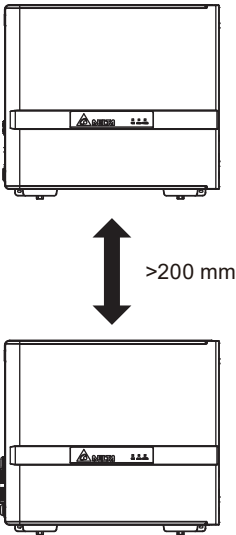
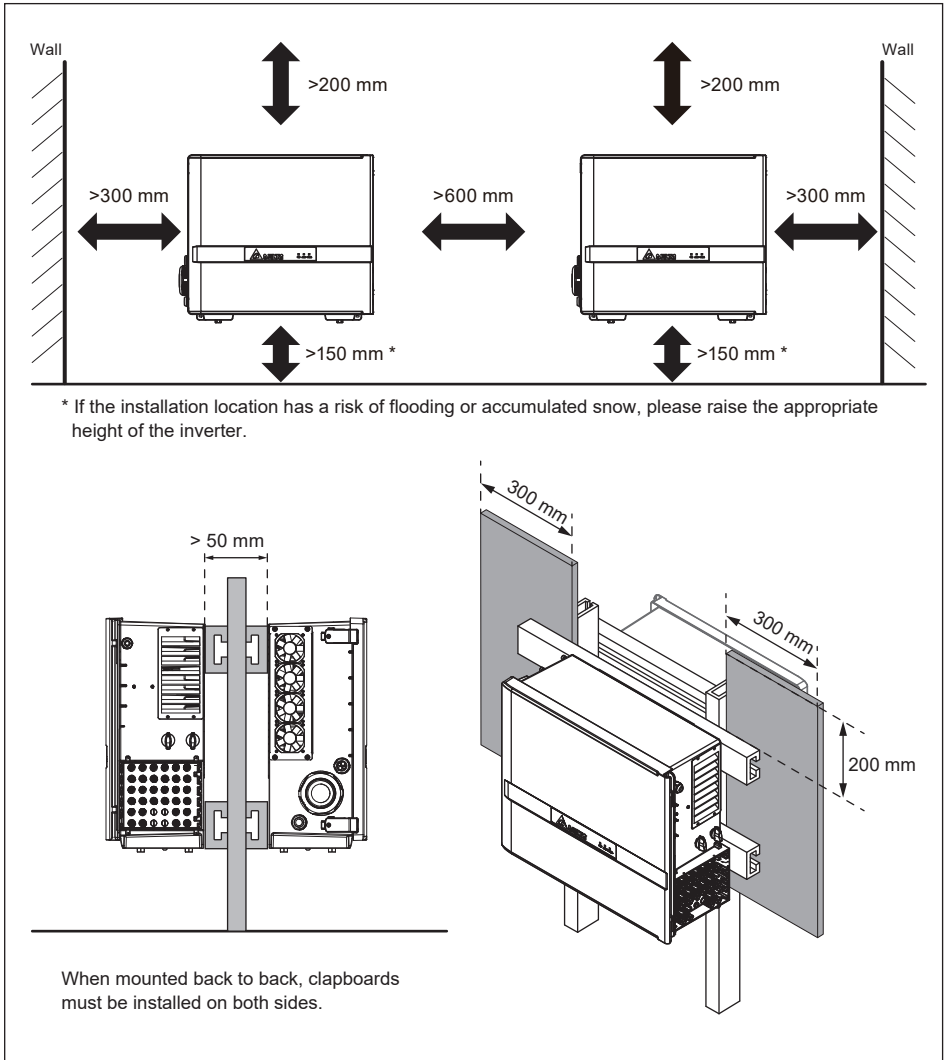


Figure 3-7: Required mounting clearances



**Figure 3-8: Separation distance of plural inverters**

**CAUTION !**



- Failure to comply with above mounting instructions including permitted orientations and designated clearances may result in derated power output and may void the warranty. To avoid these issues follow the instructions above!



## 3.2.2 Ground Mount (Optional)

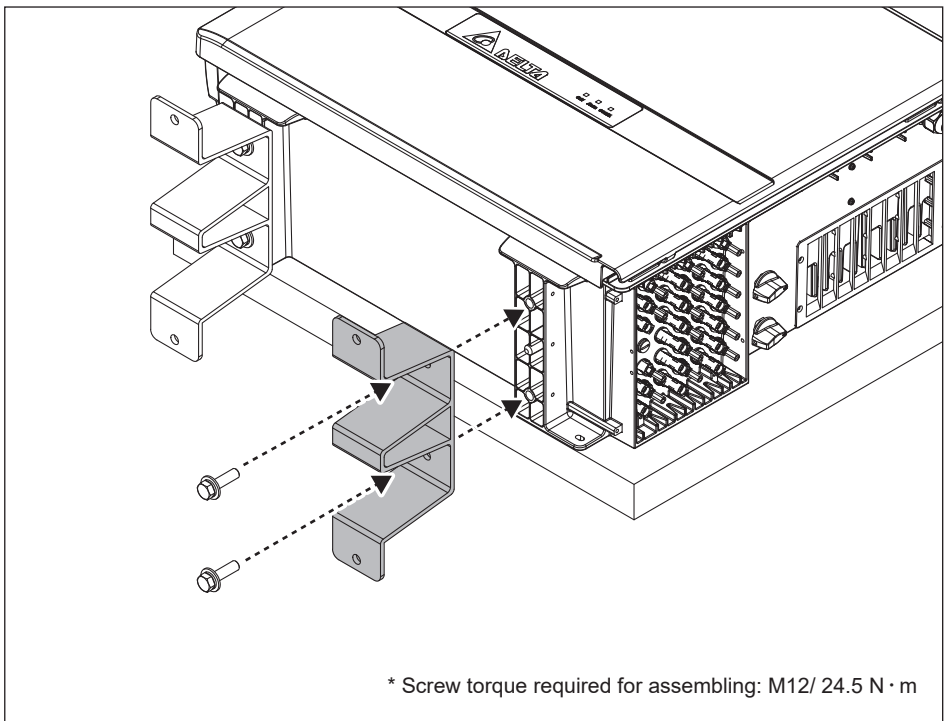
### ATTENTION



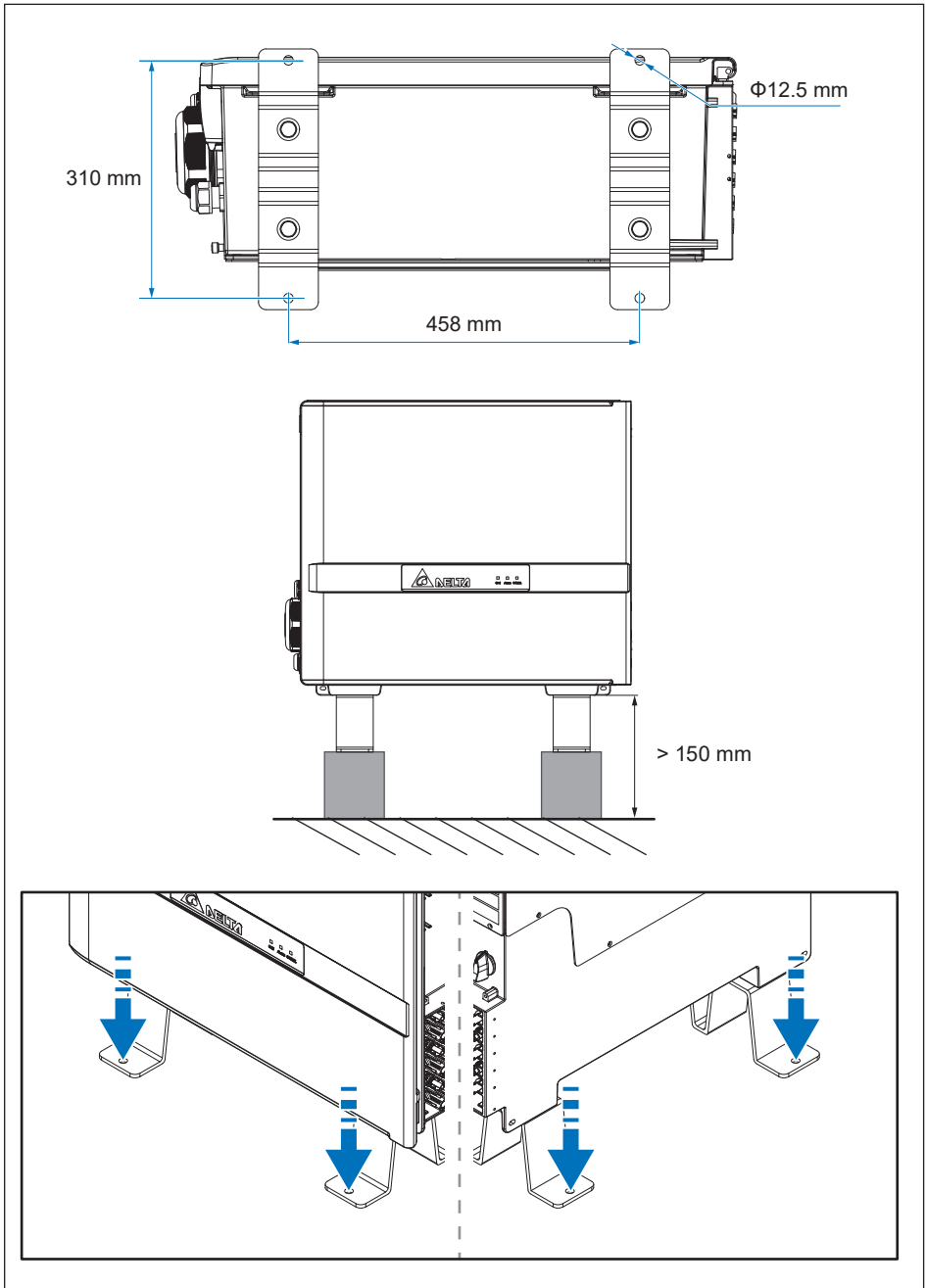
- Ensure the grounded base is strong enough to hold the weight of the inverter.

Grounded Bracket kit is an optional part, please contact the customer service center for the detail.

1. Fix the grounded brackets to the bottom of the inverter as **Figure 3-9**.
2. Mount the inverter with grounded brackets to the ground-mounting base by 4 expansion bolts. (**Figure 3-10**)



**Figure 3-9 : Lock the grounded brackets to feet**



**Figure 3-10: To secure inverter grounded brackets to ground-mounting base**

### 3.3 Cable Routing

Proper cable routing can avoid water dripping to cable glands and make the sealing of the cable glands well. Please follow the requirements to lay cables for the inverter.

1. Keep 10-20 cm length of straight cables from the edge of cable glands.
2. Anchor or support the straight cables to strain relief.
3. Must be routed to create a “hump” to prevent flowing water on the cable gland.

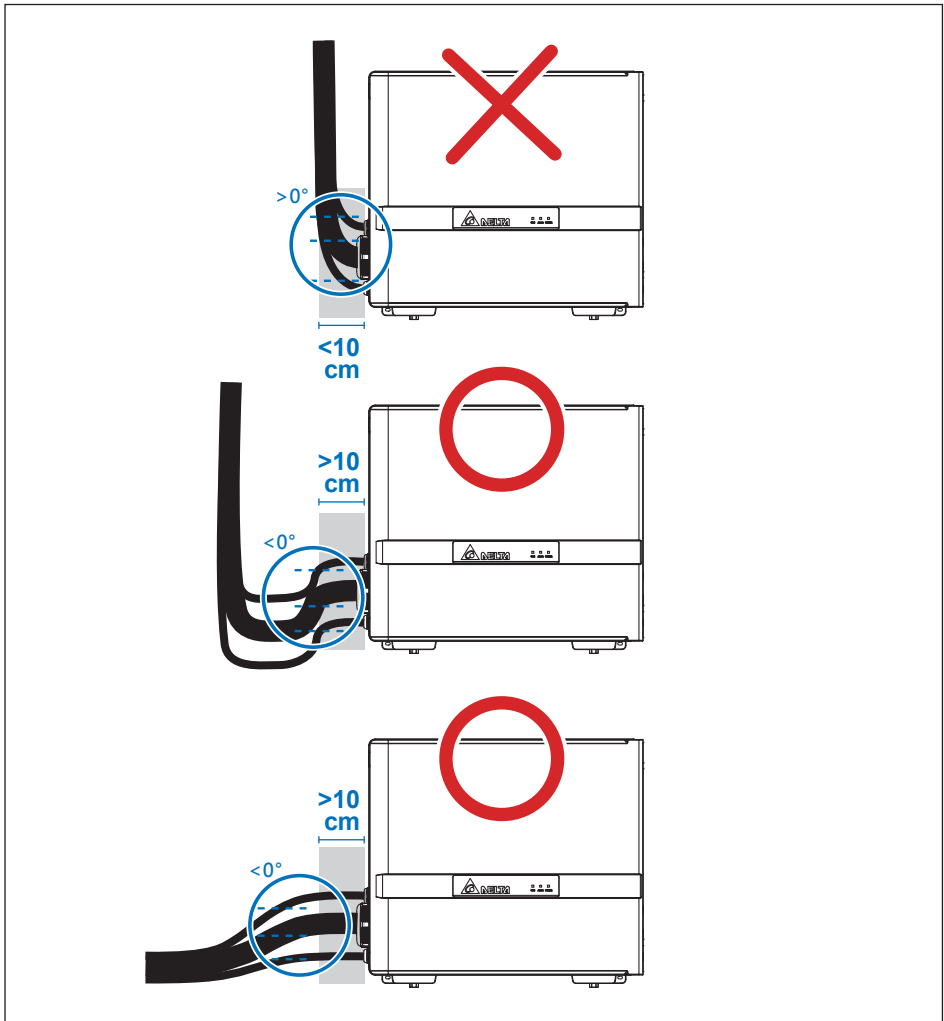


Figure 3-11: Cable routing

### 3.4 Electrical Installation for AC Wiring

#### DANGER : ELECTRICAL HAZARD!!



- To avoid shock hazard during cabling, insure any live grid connections are removed from the inverter.
- Without rain cover, never perform any wiring operations under rainy conditions.

#### WARNING !



- Code compliance is the installer's responsibility.
- Inverter warranty void if the DC input voltage exceeds 1100 Vdc.

#### CAUTION !



- Installation for AC terminal must meet the local electrical code.
- Failed to follow the instructions may damage AC cable.
- In order not to damage the components in the inverter, ensure the correct conductor is connected to the appropriate AC terminal on the inverter.

#### ATTENTION

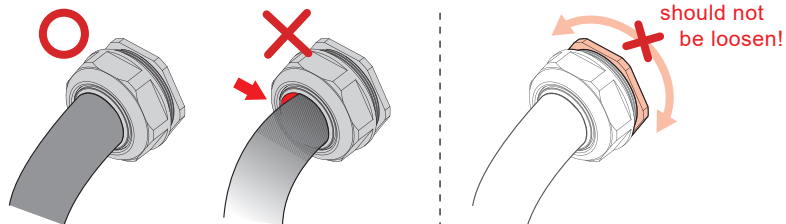


- Please follow the instruction of **Section 5.1** to open or close the front door.
- After the wiring operations, please close the door immediately and fully tighten both toggle latches.

#### CAUTION !



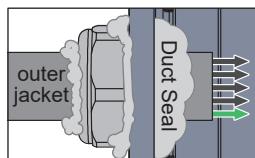
- Please make sure there is no gap between gland and cable.
- Please make sure the gland is tight after setup as shown below.



#### CAUTION !



- Please sealed every entries by duct seal (firemud or silicon sealant etc.) to avoid water intrusion and live creature entering the inverter.



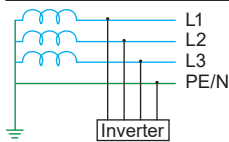
## 3.4.1 AC Grid Types and Connections

### ATTENTION

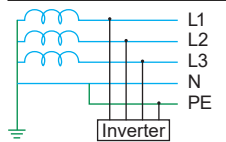


The default AC Grid connection is 3Ø-4W. It can also connect 3Ø-3W without Neutral (N). The inverter will operate from the following grid connections without need of an external transformer:

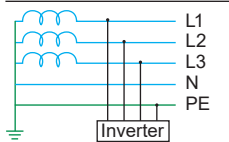
**TN-C**



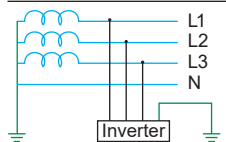
**TN-C-S**



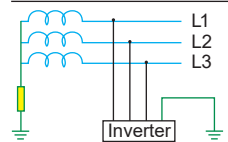
**TN-S**



**TT**



**IT \***



\* Make sure the voltage from L1, L2, and L3 to PE(Protection Earth) in IT system is always in the range of  $\pm 600V$ .

## 3.4.2 Required Protective Devices

Overcurrent protection device on AC wiring is recommended. Install a three-phase AC circuit breaker that can protect the AC wiring of the inverter and safe for the system maintenance. The below table shows the minimum requirement of the AC circuit breaker.

**Table 3-1: Recommended AC circuit breaker rating**

|                 |                     |
|-----------------|---------------------|
| Current rating  | min. 200A           |
| Voltage rating  | 380V / 400V / 480V* |
| Number of poles | 3 / 4               |

\*Should meet the installation requirement of local power system.

### 3.4.3 Preparation for AC Wires Connection

- Please use cooper or aluminum cables which are met the installation requirement of local power system.
- Stranded and Solid wire is available. Bootlace ferrules must be when using the flexible wire.
- If using the ferrule on the conductor, please ensure that the ferrule and the conductor are the same material base to prevent the destruction by corrosion.

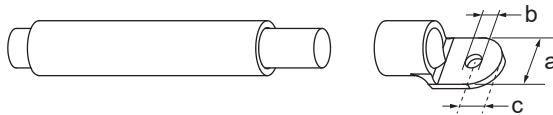
**Table 3-2: Recommendation of multi-core and single-core cable**

| Model                  | Cable Type  | Cable Cross-section range   | Cable allowable diameter range |
|------------------------|-------------|---|--------------------------------|
| M100A_280              | Multi-Core  | 3 x 120 mm <sup>2</sup> - 3 x 240 mm <sup>2</sup><br>4 x 95 mm <sup>2</sup> - 4 x 240 mm <sup>2</sup><br>5 x 70 mm <sup>2</sup> - 5 x 120 mm <sup>2</sup> | 42 mm - 75 mm                  |
| M100A_283<br>M110A_283 | Single-Core | 70 mm <sup>2</sup> - 240 mm <sup>2</sup>  | 12 mm - 27 mm                  |

### 3.4.4 Preparation for PE cable Connection

The inverter must be grounded via the internal or external PE point which should follow below requirements.

- Cross section of the conductor must be at least ½ of AC cable cross section
- Must follow the below table to use the proper lug for the connection



**Table 3-3: Recommendation of PE cable**

|                              | Internal PE<br>Multi-core cable<br>(M100A_280)                  | Internal PE<br>single-core cable<br>(M100A_280 / 283)<br>(M110A_283) | External PE   |
|------------------------------|---|--|---|
| Max. conductor cross section | 240 mm <sup>2</sup>   | 150 mm <sup>2</sup>  | 150 mm <sup>2</sup>   |
| Cable diameter range         | -   | 10.0 - 23.0 mm   | -   |
| Cable lug dimension          | Size of bolt = M10<br>a < 40.0 mm<br>b ≥ 11.0 mm<br>c < 22.0 mm | Size of bolt = M8<br>a < 24.0 mm<br>b ≥ 8.4 mm<br>c < 12.5 mm        | Size of bolt = M8<br>a < 24.0 mm<br>b ≥ 8.4 mm<br>c < 12.5 mm |

## 3.4.5 Install PE Cable

### CAUTION !

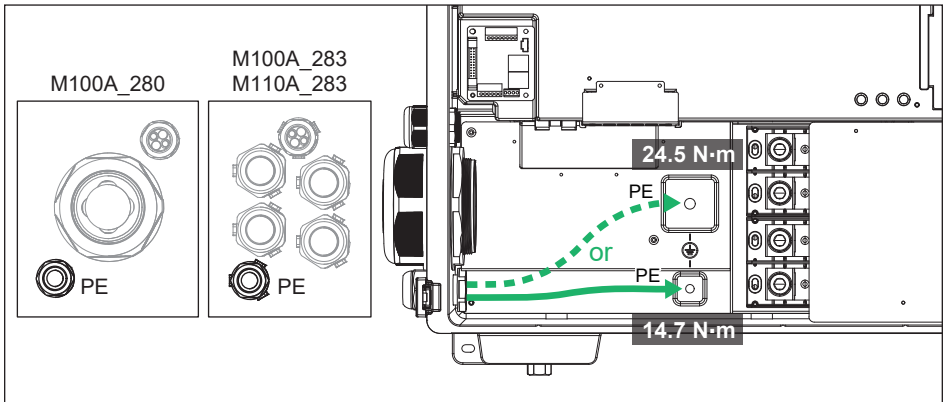


- The ground connection in the first step is recommended because the earthed outer casing of the inverter can protect the persons against electrical shocks.

The inverter provides internal and external PE terminal for grounding. The ground connection can be installed on the internal, external or both with the proper sizing of the cable which is met system safety requirement and refer to **3.4.4**.

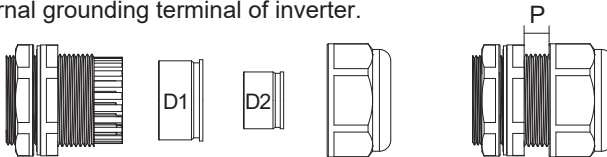
### Internal PE terminal

If single-core cable is used, it should meet the requirement from **3.4.4** and the installation is shown as following:



**Figure 3-12: Location for internal PE terminal - single core cable**

- (1) According to **Table 3-4** to choose proper PE single-core cable size with proper inner rubber of cable gland and pass PE cable through inner rubber to the internal grounding terminal of inverter.



**Table 3-4: Specification of PE gland**

|    | Cable diameter range | Torque      | Dimension of P |
|----|----------------------|-------------|----------------|
| D1 | 16.0 - 23.0 mm       | 3.5-5.2 N·m | 1.5-5.0 mm     |
| D2 | 10.0 -16.0 mm        | 3.5 N·m     | 1.5-5.0 mm     |

- (2) According to the figures to install PE single-core cable and use M8 spanner to tighten the nut with 14.7 N-m torque.
- (3) Fasten the protective earth cable gland to meet requirement for waterproof.

If multi-core cable (conductor with green-yellow insulation) is used for M100A\_280, it should meet the requirement from 3.4.4 and the installation is shown as following:

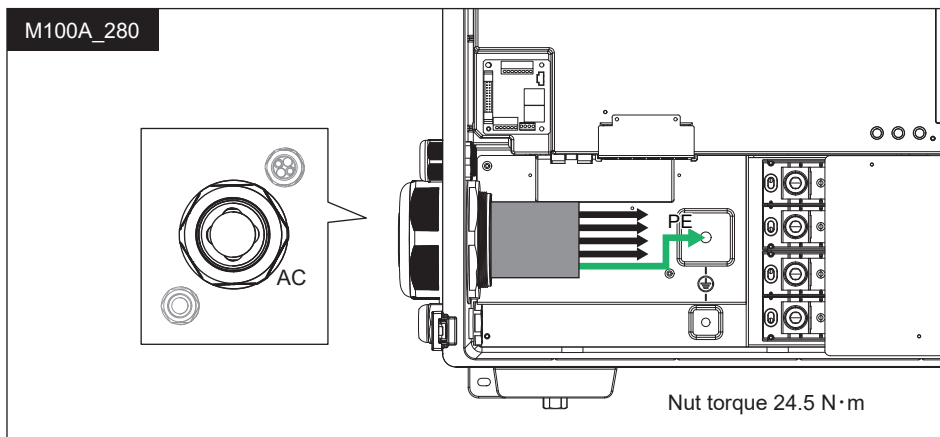


Figure 3-13: Location for internal PE terminal - multi-core cable

- (1) According to **Table 3-5** to choose proper multi-core cable size with proper inner rubber of cable gland and pass cable through inner rubber to the Internal grounding terminal of the inverter.

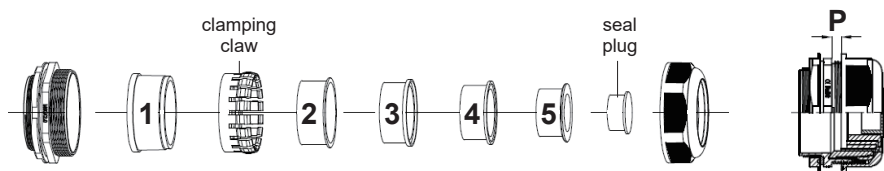


Table 3-5: Specification of M100A\_280 AC gland

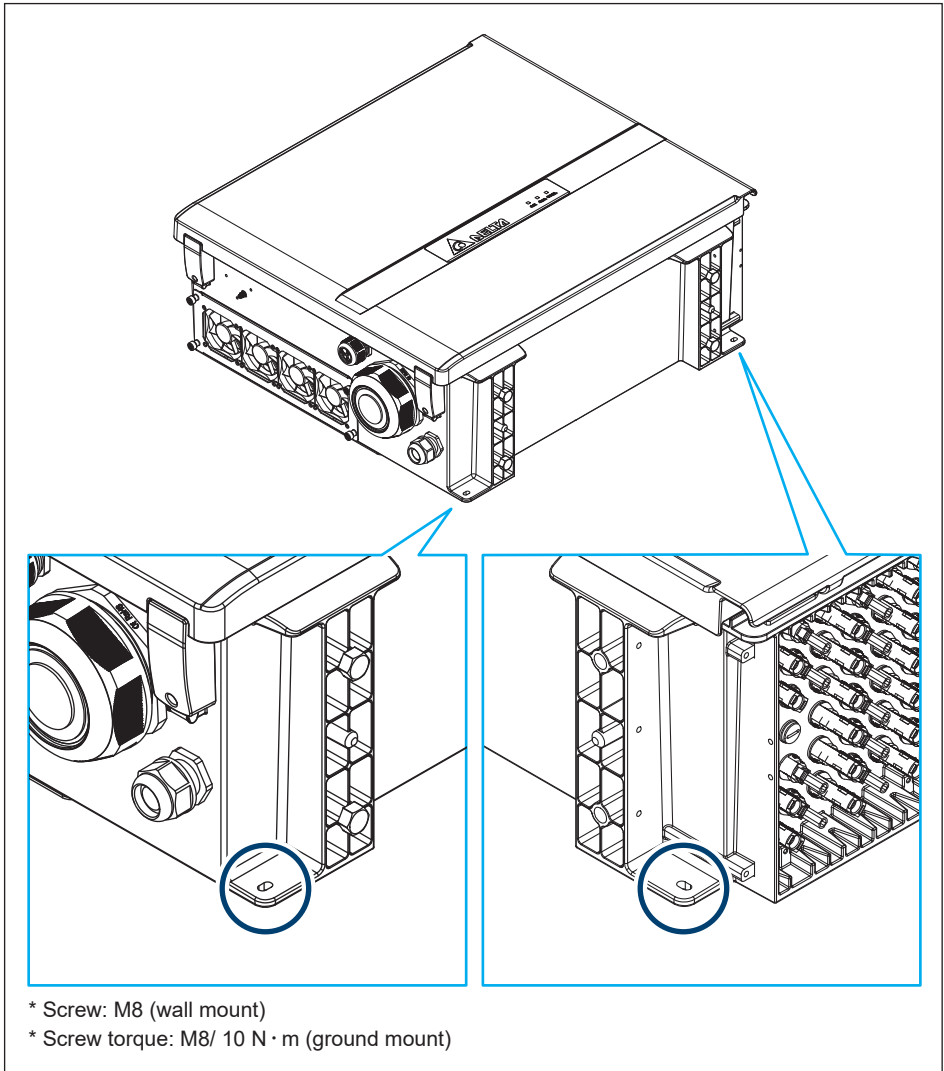
|   | Cable diameter range | Torque      | Dimension of P |
|---|----------------------|-------------|----------------|
| 1 | 72 - 77 mm           | 10 N·m      | 6.5 - 4.5 mm   |
| 2 | 65 - 72 mm           | 12 N·m      | 6 - 3 mm       |
| 3 | 57 - 65 mm           | 15 N·m      | 5.5 - 2 mm     |
| 4 | 45 - 57 mm           | 15 N·m      | 5.5 - 0 mm     |
| 5 | 33 - 45 mm           | 15 - 20 N·m | 4.5 - 0 mm     |

- (2) Adjust the multi-core cable as close as to PE terminal and then install it on the PE terminal. Use M10 spanner to tighten the nut with 24.5 N-m torque.
- (3) Fasten the protective earth cable gland to meet the requirement for waterproof.



## External PE terminal

To ground the inverter, please crimp the grounding wire to the ring terminal lug and fix it on the grounding point shown below.



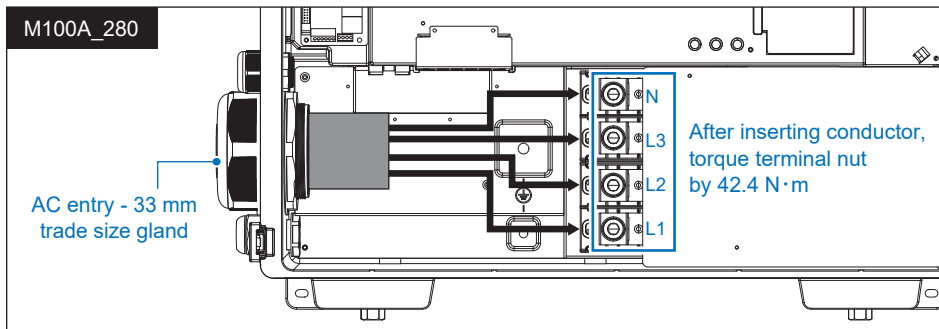
**Figure 3-14: Mount the equipment grounding**

### 3.4.6 AC Wiring of M100A\_280

**DANGER : ELECTRICAL HAZARD!!**

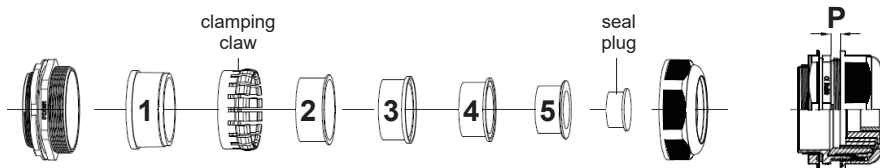


- Always no energy on the AC power cables during the cable installation to prevent electrical hazard.



**Figure 3-15: Location for AC terminal of M100A\_280**

- (1) Ensure the AC disconnect device is in “OFF”
- (2) Strip off the insulation of each cable by 30mm.
- (3) For the aluminum conductor, remove the oxide film of the conductor surface and apply the protective grease.
- (4) Please refer to **Table 3-5** to choose proper inner rubber of cable gland. Improper cable or rubber cannot provide exact waterproof performance and will lead to water intrusion to damage inverter.



**Table 3-5: Specification of M100A\_280 AC gland**

|   | Cable diameter range | Torque      | Dimension of P |
|---|----------------------|-------------|----------------|
| 1 | 72 - 77 mm           | 10 N·m      | 6.5 - 4.5 mm   |
| 2 | 65 - 72 mm           | 12 N·m      | 6 - 3 mm       |
| 3 | 57 - 65 mm           | 15 N·m      | 5.5 - 2 mm     |
| 4 | 45 - 57 mm           | 15 N·m      | 5.5 - 0 mm     |
| 5 | 33 - 45 mm           | 15 - 20 N·m | 4.5 - 0 mm     |

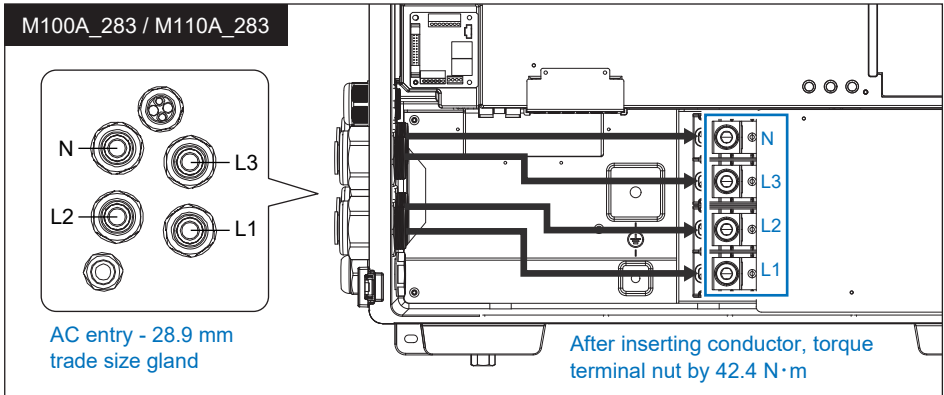
- (5) Tighten all screws of the terminal with 42.4 N-m torque.
- (6) Fasten all AC cable glands for sealing.

### 3.4.7 AC Wiring of M100A\_283 / M110A\_283

#### DANGER : ELECTRICAL HAZARD!!

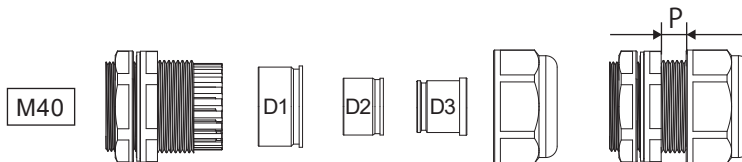


- Always no energy on the AC power cables during the cable installation to prevent electrical hazard.



**Figure 3-16: Location for AC terminal of M100A\_283 / M110A\_283**

- (1) Ensure the AC disconnect device is in “OFF”
- (2) Strip off the insulation of each cable by 30mm.
- (3) For the aluminum conductor, remove the oxide film of the conductor surface and apply the protective grease.
- (4) Pass the cable of L1, L2, L3 or neutral (if required) through each M40 cable gland with the proper inner rubber.
- (5) Follow the label to Connect L1, L2, L3 and neutral (if required).
- (6) Tighten all screws of the terminal with 42.4 N·m torque.
- (7) Fasten all AC cable glands for sealing.



**Table 3-6: Specification of M100A\_283 / M110A\_283 AC gland**

| M40 | Cable diameter range | Torque      | Dimension of P |
|-----|----------------------|-------------|----------------|
| D1  | 21.7-28.9 mm         | 5.5-10 N·m  | 1.0-8.0 mm     |
| D2  | 16.2-21.7 mm         | 6.0 N·m     | 1.0-6.5 mm     |
| D3  | 12.0-16.2 mm         | 4.0-6.5 N·m | 1.0-7.5 mm     |

### 3.5 Electrical Installation for DC Wiring

#### DANGER : ELECTRICAL HAZARD!!



- PV array converts sunlight into electric power with high DC voltage and high DC current which can cause dangerous electrical shock hazard on the DC connector.
- Use an opaque material to cover the PV array to make sure PV array will not generate voltage to cause electric shock during DC wiring.
  - Undone PV array must insert dedicated protective cover to protect connector.
  - The amount of PV module of each string within one MPPT should be the same to avoid the circulating current between the strings.

#### WARNING !



- Max. allowable DC input voltage of inverter is 1100Vdc. Please check the Open Voltage of PV array in the lowest environmental temperature is under 1100Vdc. More than 1100Vdc will damage the inverter.
- Delta has a right not to offer any warranty.

#### ATTENTION



- The inverter will check the insulation resistance of DC wiring before the first time operation every day. However, DC ground fault still could damage the inverter during the operation and not covered by warranty.
- Please make sure the insulation resistance of PV array is high enough.

The inverter has 8 input MPP trackers which is able to operate on flexible PV array assembling. However, for the highest operating performance of the inverter, strongly recommend PV array configuration needs to meet the below requirements.

- (1) PV arrays design should be considered the lowest environmental temperature of the site to ensure the maximum DC voltage in any string is under 1000Vdc.
- (2) Max. allowable DC input voltage of the inverter is 1100Vdc. More than 1100Vdc will damage the inverter, and it is an abnormal operation. Delta has a right not to offer any warranty.
- (3) To ensure the inverter operates with the highest performance, the Optimal Operating Voltage ( $V_{mp}$ ) of PV string should be within 600 Vdc ~ 800 Vdc for each string in *STC condition*\*.
- (4) Each MPP tracker provides 2 pairs of DC connector in parallel, below table offers the correspondence between each MPP tracker and input connectors. Ensure two strings connected into the same MPP tracker have the same quantity and PV module part number. Imbalanced PV strings connection in the same MPP tracker will cause low conversion efficiency.

| MPP Tracker | 1   | 2   | 3   | 4   | 5    | 6     | 7     | 8     |
|-------------|-----|-----|-----|-----|------|-------|-------|-------|
| PV String   | 1&2 | 3&4 | 5&6 | 7&8 | 9&10 | 11&12 | 13&14 | 15&16 |

\* STC (Standard Test Condition) means the testing condition is in the Irradiance 1000 W/m<sup>2</sup>, Spectrum AM 1.5, and the PV cell temperature is 25°C. Please refer to the specification of the PV module to get relative technical parameters.

Too much or fewer series quantities of PV string may affect the inverter performance in specific conditions, so contact with Delta Service Team in your region to confirm the PV array design is suitable for the inverter.

### 3.5.1 Preparation for DC Wires Connection

Accessories DC connectors (**Table 2-1-⑦**), are genuine parts that are certified the quality and reliable from DELTA. Please follow the below requirements to choose the DC cable and crimp.

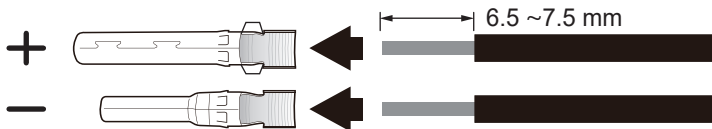
- DC cable must choose the cooper conductor which insulation is above 1000V withstands voltage.
- Acceptable cross-section range of the conductor is  $4.0\text{mm}^2\sim 6.0\text{mm}^2$ . Please follow the standard of the PV system installation to choose a suitable cross-section.
- Recommend crimping is by using Amphenol special tool (H4TC0002)
- If accessories DC connectors are in shortage or have other application issues, please contact DELTA Service Center for help.

### 3.5.2 Assemble DC connectors

- (1) Male connector with Socket Type terminal is for Positive side.  
Female connector with Pin Type terminal is for Negative side.



- (2) Strip off the cable insulation around 6.5 ~ 7.5 mm length, neat the conductor, then put it into its belong terminal hole well.



- (3) Put them into the stopper of the Amphenol crimping tool(H4TC0002), then crimp to fix.



- (4) Connect the terminal and its belonging connector. The terminal will be locked if well assembling. Fasten the cap with 2.6 ~ 2.9 N.m force for the waterproof.



### 3.5.3 DC Wiring Installation

#### DANGER : ELECTRICAL HAZARD!!



- Ensure the two DC switches are placed in the "OFF" position during DC wiring installation.
- Without rain cover, never perform any wiring operations under rainy conditions.

#### ATTENTION

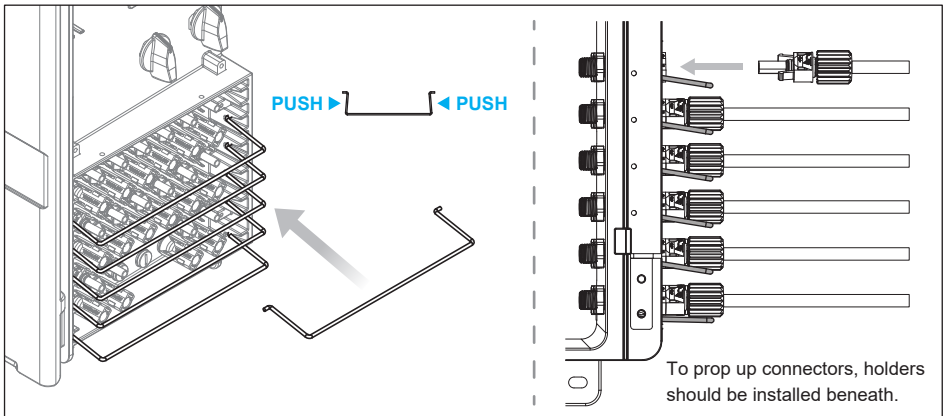


- DC cable has the right polar connector is important. A wrong polar connection may cause Short-Circuit or Arcing current that will damage the DC connector.

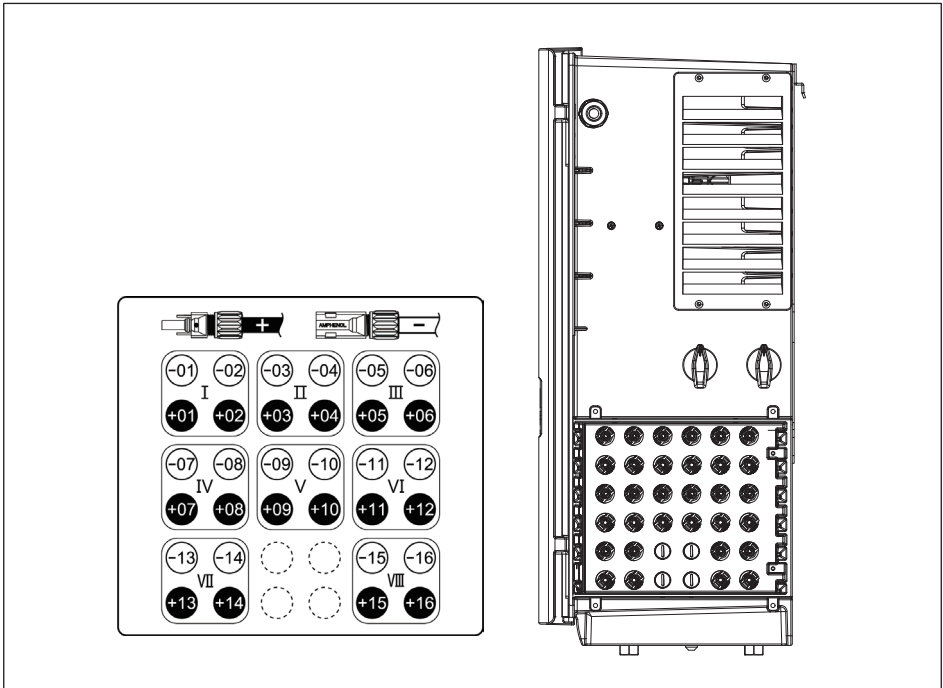


- Unused DC connectors of the inverter must plug the protective cover for waterproof.

- (1) Before the installation, ensure the two DC switches are in the "OFF" position and be locked for protection. If it can be "ON" during the DC wiring installation, it may cause DC connector or inverter damage. Even more, it has the risk of electric shock.
- (2) Install the connector holder as shown below.



- (3) According to **Figure 3-17**, follow the DC input pairs and the polar to plug in the connector. Remind, two PV strings have the same series-quantity in one MPP tracker.
- (4) Unused DC connectors of the inverter or DC wirings must plug the protective cover.
- (5) Ensure all DC wirings are connected to the inverter well and correct. Switch ON two DC connectors to finish the installation.



**Figure 3-17: location of H4 connectors to connect array wiring (DC)**

### CAUTION !

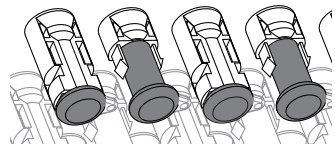


- Before DC wiring maintenance, Please make sure the AC breaker and two DC switches that are belonging to the inverter are all in "OFF."
- Each PV string could have a high voltage in the poles. Ensure to offer the proper safety protection for the operators during the DC wiring installation. Safety protection has to fulfill the standard of PV system installation.

### ATTENTION



- For unused DC connectors, please keep the cap on to prevent water or dirt intrusion.



### 3.6 Communication

The communication module of the inverter is shown below. It provides VCC, RS-485, dry contact, EPO, and Digital Input terminals for use in various applications. Details for each are presented below. There's a 12VDC source between VCC & GND for use with external device.

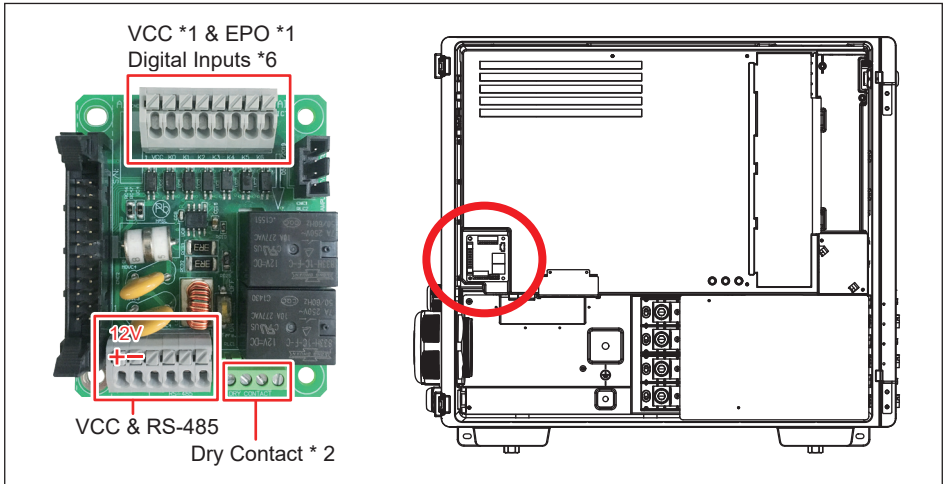


Figure 3-18: Communication Module

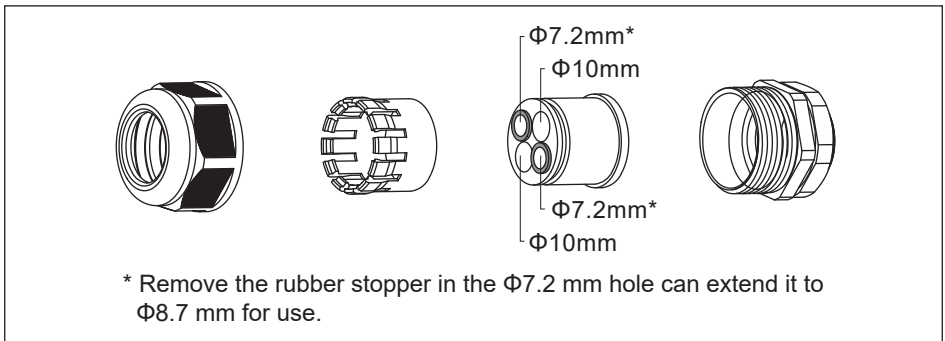


Figure 3-19: Gland for communication

#### ATTENTION



- This inverter is compliant with the “Technical Specification for Security Inspection of Solar Inverter and Monitoring Units” required by BSMI. Please refer to section 5.1.3 for the guidance to lock the door after completing all the wiring, then apply a brand new one-time-use security seal (item 8, Table2-1) on the toggle latch. We will not be liable or responsible for any security incident caused by an improper application of the sticker.



### 3.6.1 RS-485 Connection

The pin definition for the RS-485 terminal block is shown in **Table 3-7**.

- Pins 1 and 2 provide a 12VDC / 0.5A bus for use with accessories.
- Pins 3 and 5 are both connected to the DATA+ input.
- Pins 4 and 6 are both connected to the DATA- input.

These connections allow easy daisy-chaining of multiple inverters.

A 120ohm bus termination resistor and associated control switch are located on the communication board (**Table 3-8**).

Different RS-485 connection scenarios require different set up for the 120ohm bus termination resistor.

- When several inverters are cascaded (i.e., "daisy-chained") only the last inverter in the chain must have its bus termination resistor switched ON (**Figure 3-20**).
- The length of RS-485 cable is recommended to be less than 30m in general.

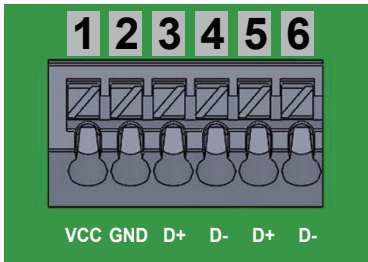
#### ATTENTION



- In order to have good transfer quality, twisted-pair wire is recommended to be used as communication cable.

**Table 3-7: RS-485 Terminal block wiring**

| Pin | Function               |
|-----|------------------------|
| 1   | VCC (+12V)             |
| 2   | GND (It is NOT the PE) |
| 3   | DATA+                  |
| 4   | DATA-                  |
| 5   | DATA+                  |
| 6   | DATA-                  |

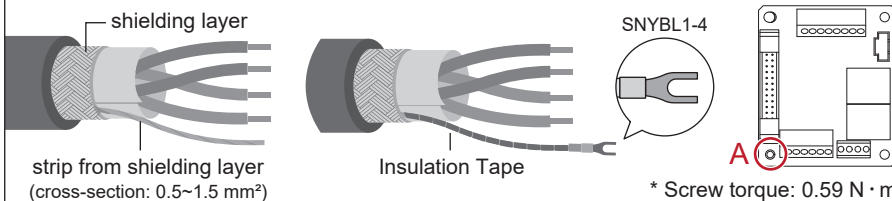


#### INFORMATION



When the RS-485 cable needs to be grounded, please follow the steps below.

1. strip a wire from the shielding layer and properly insulate it
2. crimp the insulated wire to the Y-type lug and fix it in position A



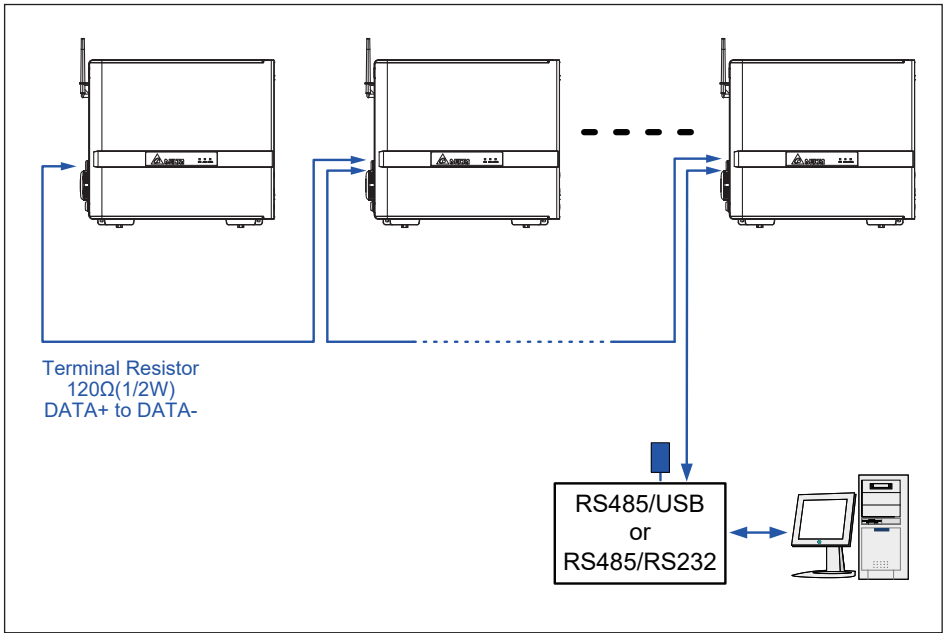


Figure 3-20: Multiinverter connection illustration

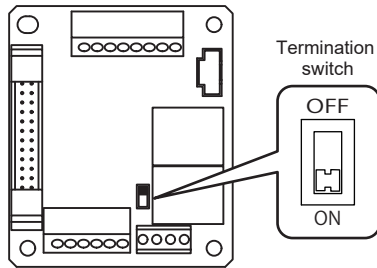
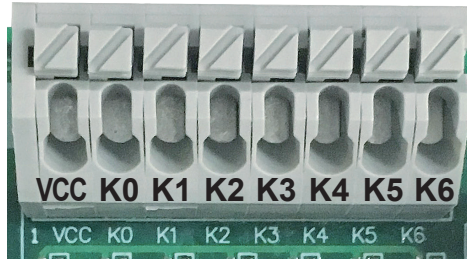


Table 3-8: Bus Termination switch settings

|     | Switch 1              |
|-----|-----------------------|
| ON  | Terminal Resistor ON  |
| OFF | Terminal Resistor OFF |

### 3.6.2 EPO Function & Digital Input

The communication module has an emergency power off function (EPO). Users can customize EPO function in APP or Delta Solar System (DSS).



**Figure 3-21: EPO function terminal block**

Once enabled, the EPO function can be used to turn off the inverter via a NO relay contact connected across terminal [VCC & K0].

Additionally, a digital power reduction control is available that can be set to limit the inverter's available active output power. The control settings for this function are made by placing a hardware short (jumper or relay) between two terminals of the terminal block shown in **Table 3-9**, below.

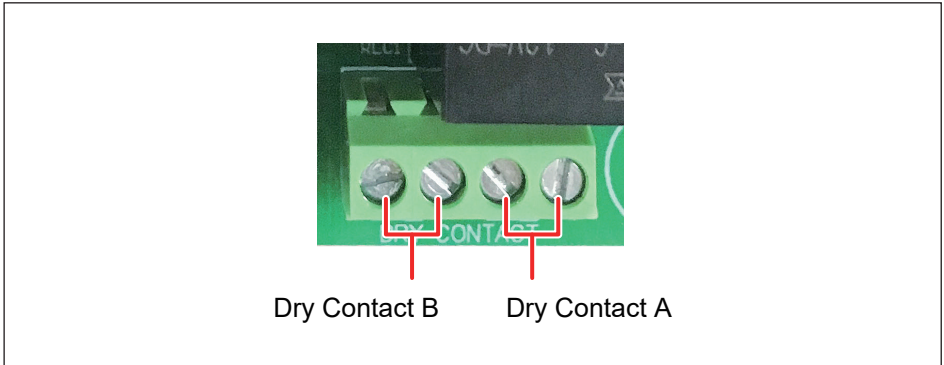
**Table 3-9: Definition of digital input & EPO function**

| Short terminals | Inverter's action         |
|-----------------|---------------------------|
| VCC & K0        | Emergency power off (EPO) |
| VCC & K1        | 0% active power           |
| VCC & K2        | Maximum 30% rated power   |
| VCC & K3        | Maximum 60% rated power   |
| VCC & K4        | Maximum 100% rated power  |
| VCC & K5        | Reserved                  |
| VCC & K6        | Reserved                  |

### 3.6.3 Dry Contact Connection

The inverter provides a dry control contact pair that may be used to control external devices based on the status of operation of the inverter.

The terminal block for this function is shown in **Figure 3-22**. The terminals marked in the figure identify the dry contact connection. The operation of the dry contact is normally open. The functionality of this contact can be customized by users via settings available in APP or DSS.



**Figure 3-22: Dry Contact connection**

## 4 Commissioning

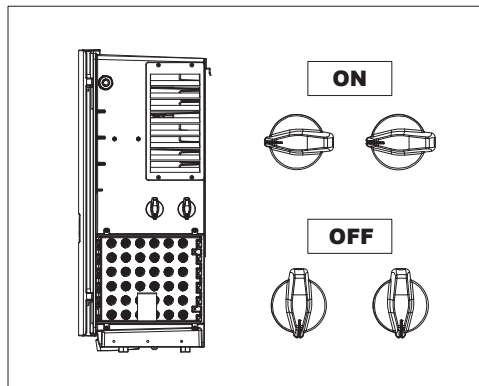
### CAUTION !



- Double confirm the all connections are correct before the commissioning. If there is any abnormal during the commissioning, **Safely power OFF AC and DC energy** is always the first priority. Please switch off AC breaker and Two DC switches, then check the installation and find out the cause.

While the installation is done, please follow sequence to execute the commissioning.

1. Ensure the front door is close well, **Section 5.1.3** has further description to guide
2. Turn on the AC breaker to supply AC voltage.
3. Switch On two DC switches on the right hand side.



*Figure 4-1:DC Switches*

## 4.1 Display Operation Introduction

### CAUTION : HOT SURFACES, DO NOT TOUCH!



- Use care to avoid hot surfaces when operating the product!
- Do not perform any task until the unit cools down or appropriate personal protection gear is worn.

The inverter with 3 LEDs can visual display the product basic status. Please refer to **Table 4-1** to check the LED indicator and get the information of the product status.

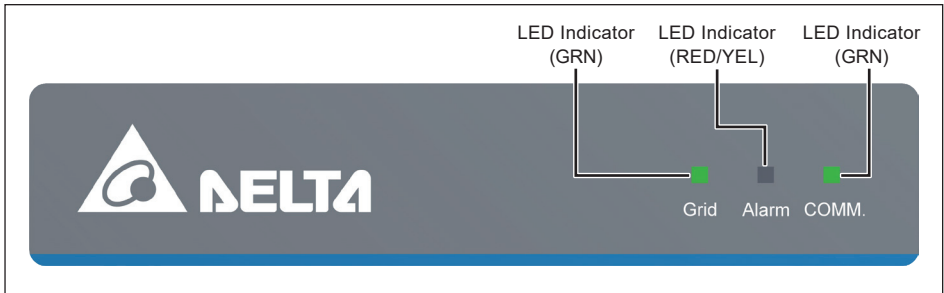


Figure 4-2: Front Panel Display

Table 4-1: Inverter status

| Condition                   | Grid (Green) | Alarm (Red/Yellow) |
|-----------------------------|--------------|--------------------|
| Countdown                   | FLASH        | OFF / OFF          |
| On Grid                     | ON           | OFF / OFF          |
| Inverter Fault / Remote off | OFF          | ON / OFF           |
| Inverter Warning            | ON (or OFF)  | FLASH / OFF        |
| Field Fault                 | OFF          | OFF / ON           |
| Field Warning               | ON           | OFF / FLASH        |
| NO DC                       | OFF          | OFF / FLASH SLOW   |
| FW Upgrade                  | FLASH        | FLASH / OFF        |
| Standby                     | FLASH        | OFF / FLASH        |
| Check PV Power              | FLASH FAST   | OFF / FLASH FAST   |
| System Lock                 | OFF          | FLASH / FLASH      |

\*FLASH: ON 1s / OFF 1s

FLASH FAST: ON 0.25s / OFF 0.25s

FLASH SLOW: ON 5s / OFF 10s

## 4.2 Commission an Inverter Individually – Bluetooth

The inverter with built-in Bluetooth function can be commissioned individually via the “DeltaSolar” App.

DeltaSolar App can be downloaded and installed by scanning the QR code or searching in App Store (iOS user) / Google Play (Android user).



**DeltaSolar**  
DELTA ELECTRONICS, INC.



QR Code



iOS



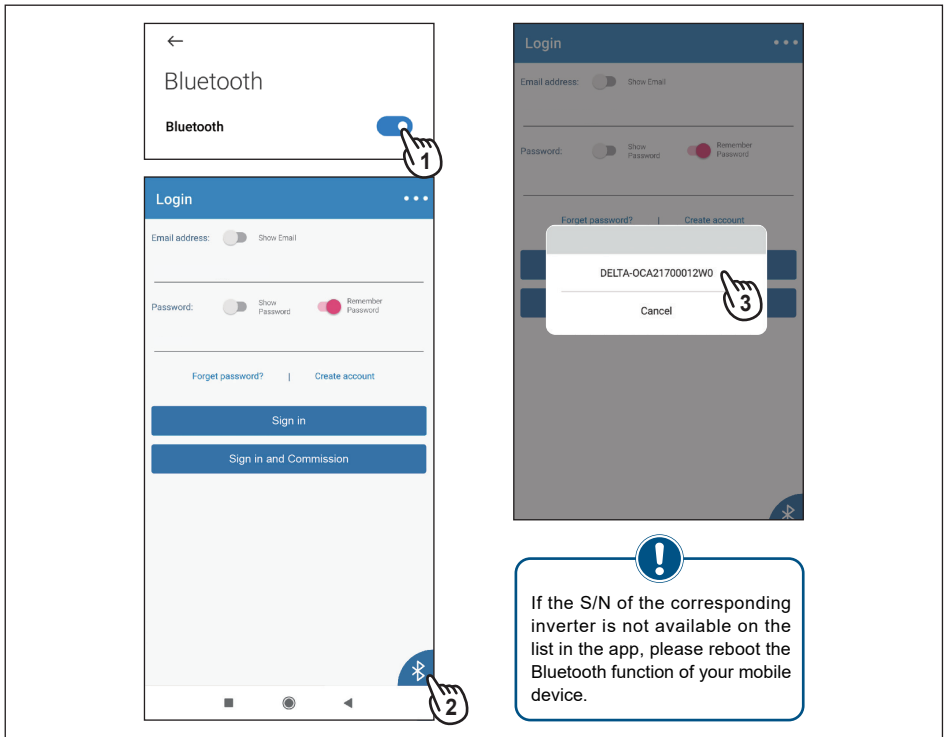
Android



**About OS version**  
iOS: 8.0 and above  
Android OS: Android 8.0 and above

### Start Commissioning the Inverter

- ① Enable the Bluetooth function of your mobile device.
- ② Click the Bluetooth icon on the bottom right corner.
- ③ Select the S/N of the corresponding inverter.



**Figure 4-3: Steps to commission via bluetooth (1-3)**

- ④ Select “Local Setting” sheet and click “Grid Setting”.
- ⑤ Click “Inverter ID” to select the required ID and then click “Inverter ID Set”.
- ⑥ Click “Country” to select the required grid code and then click “Set”.
- ⑦ Done.

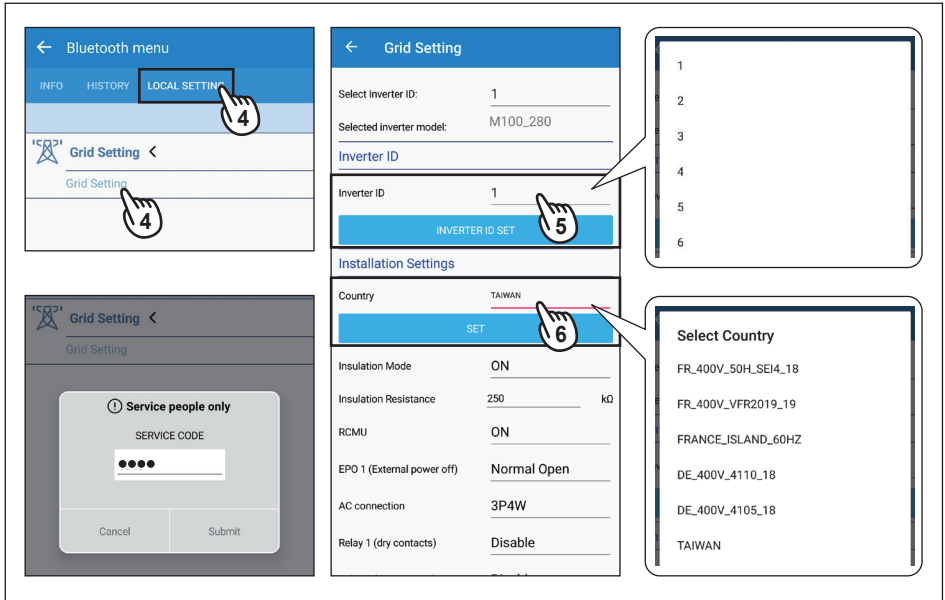


Figure 4-4: Steps to commission via bluetooth (4-7)



## 4.3 Commission multiple inverters – Auto ID Function

The Auto ID function can set all inverter IDs at once by DSS (Delta Solar System) or DeltaSolar APP.

### - DSS


Connect the inverter through RS-485 with computer.

### - APP

Connect the inverter through DC1 with mobile device.

(please refer to **chapter 4.4** for operation manual.)

### 4.3.1 Commission Setting (DSS)

- ① Select the corresponding model
- ② Click “RS485”
- ③ Select communication port (automatic detection by the system).
- ④ Click 

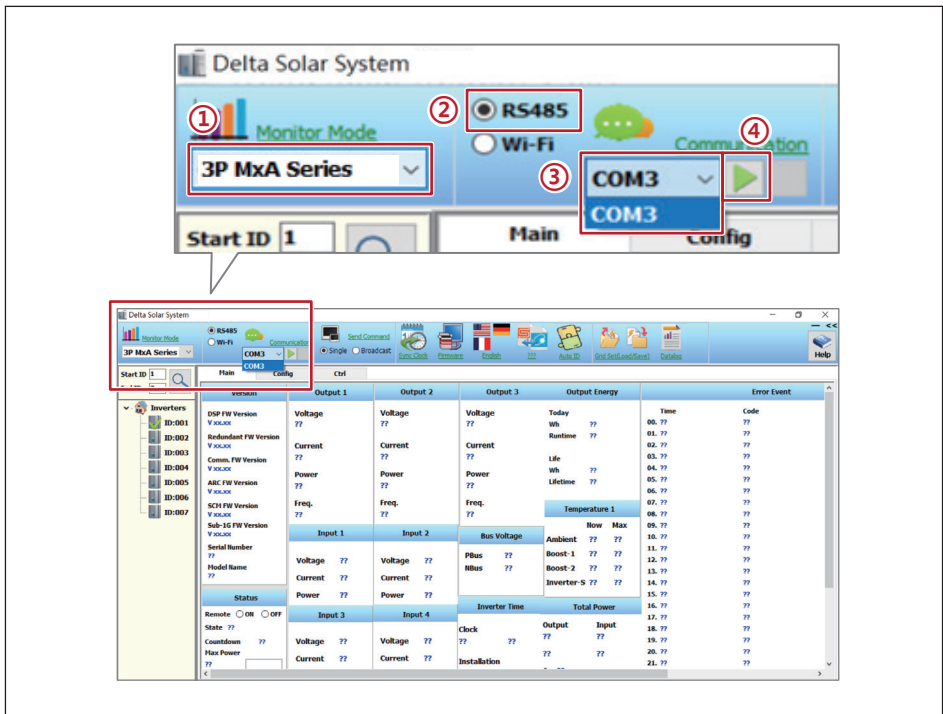



Figure 4-5: DSS Commission setting

## 4.3.2 Scan inverter

- ① Click “Auto ID” 
- ② Enter numbers of inverters.
- ③ Click “Scan”.

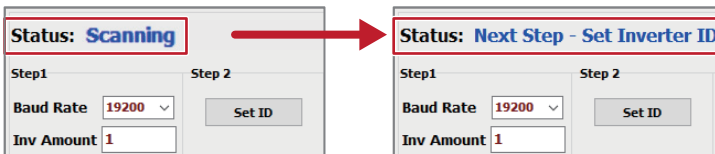
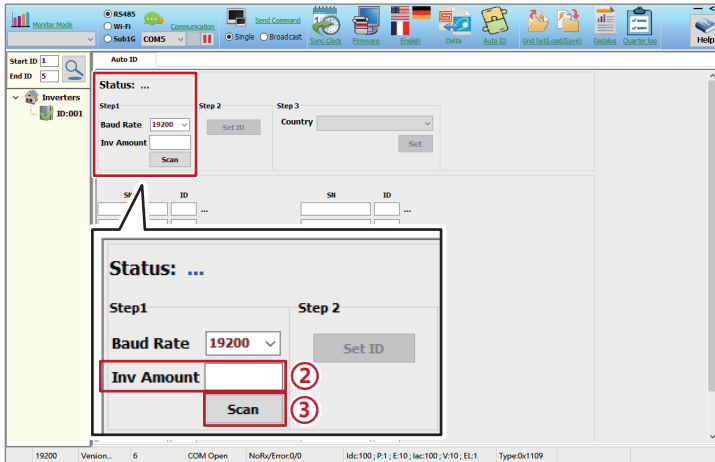


Figure 4-6: Steps of scanning inverters

### 4.3.3 Set ID

- ① The serial number of the successfully scanned device will be displayed below, the default ID can be changed.
- ② After ID setting is completed, click “Set ID”.

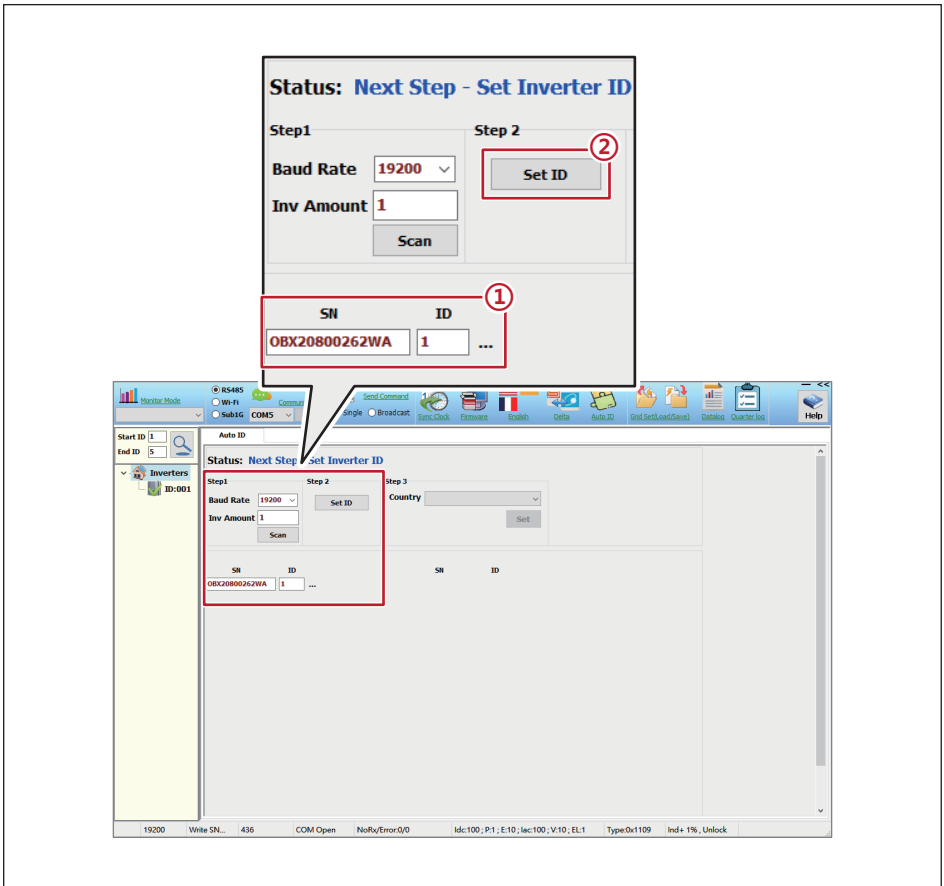


Figure 4-7: Steps of ID setting

### 4.3.4 Set Country

- ① Click to select the country of inverter.
- ② Click “Set”.

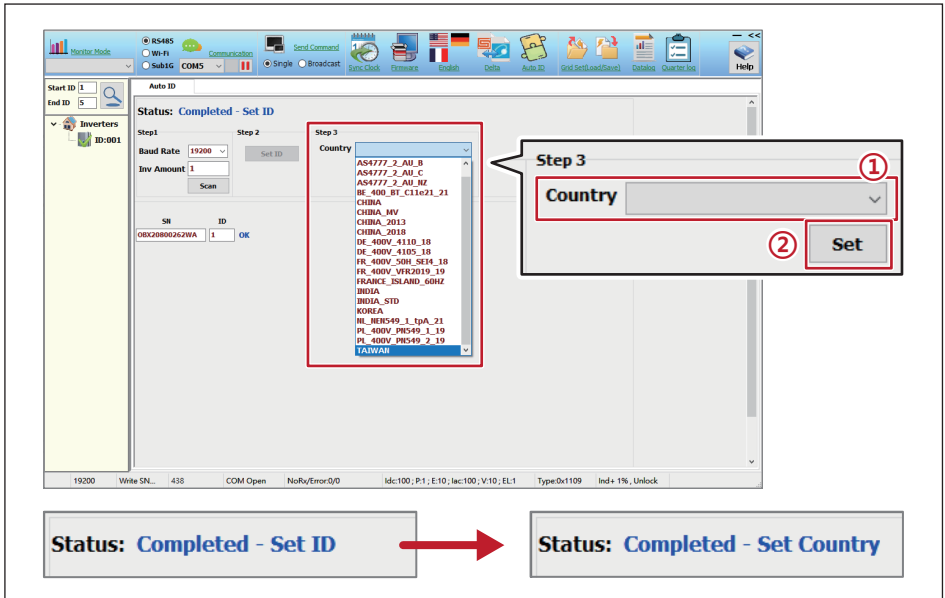


Figure 4-8: Steps of country setting

### 4.3.5 Synchronize time

Click “Sync Clock  ” to Synchronize time.

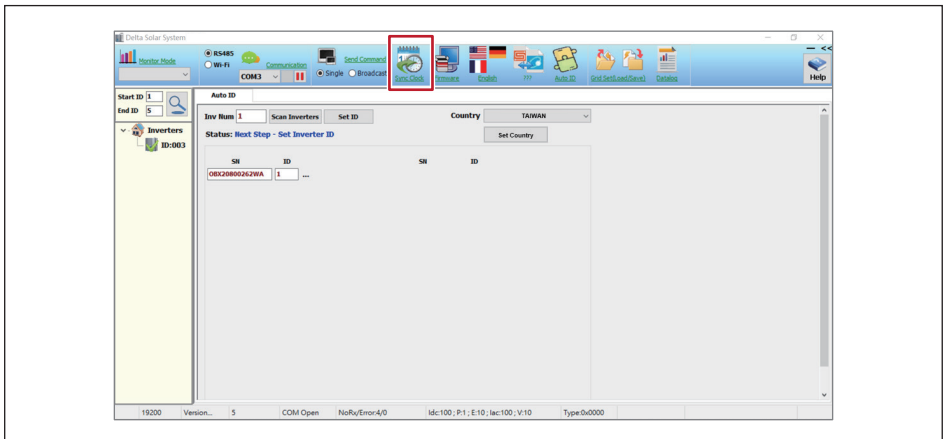


Figure 4-9: Steps of time synchronization

## 4.4 Delta Function Setting

Delta offers two setting tools:

DSS (Delta Solar System Software) and APP (DeltaSolar)

| Function                            |                                 |
|-------------------------------------|---------------------------------|
| Active power control                | Q(U) control (volt-var control) |
| P-F control (watt-frequecy control) | Q by night(Q setting 24/7)      |
| P(U) control (volt-watt control)    | Anti-PID                        |
| Fixed cosφ                          | Dry contact                     |
| Fixed Q(%)                          | ARC fault detection             |
| Auto ID                             | Bluetooth                       |

Please refer to the following link for operation manual.

### DSS Operation Manual:



[https://mydeltasolar.deltaww.com/manual/eng/SUB\\_1G/DSS.pdf](https://mydeltasolar.deltaww.com/manual/eng/SUB_1G/DSS.pdf)

### DeltaSolar (APP) Operation and Installation Manual:



<https://mydeltasolar.deltaww.com/index.php?p=manual>

## 5 Maintenance

Regularly maintenance can ensure that the inverter can keep great performance. DELTA recommends to have a check to the unit every year at least. The frequency of maintenance should be adjustable depends on the environment of the site, different seasons and weather impacts.

### DANGER : ELECTRICAL HAZARD!!



- Ensure DC and AC cables are always de-energized during the maintenance to avoid the shock hazard risk!
- Without rain cover, never perform maintenance operations under rainy conditions.

## 5.1 Open and Close the Door

### 5.1.1 Disconnect from Voltage Sources

1. Disconnect the AC Circuit breaker and secure to against reconnection.
2. Turn two DC switches to off position, then secure to against reconnection.
3. Wait 60 seconds and make sure LED indicators of the inverter have gone out.
4. To ensure there is no current in the cables, please use a current clamp to measure DC/AC cables.

### 5.1.2 Open the Door

**Before opening the front door, please wipe the inverter case if it is wet to avoid water seepage.**

1. Use the 4mm hexagon wrench to loose the screw of the protection cover, and then release the latch locks as **Figure 5-1**.
2. Open the front door and use the hexagon wrench to fix the door as **Figure 5-2**.
3. The inverter door can be removed for wider working space during installation or maintenance as **Figure 5-3**.

**Do not leave the door opened for long periods of time.**

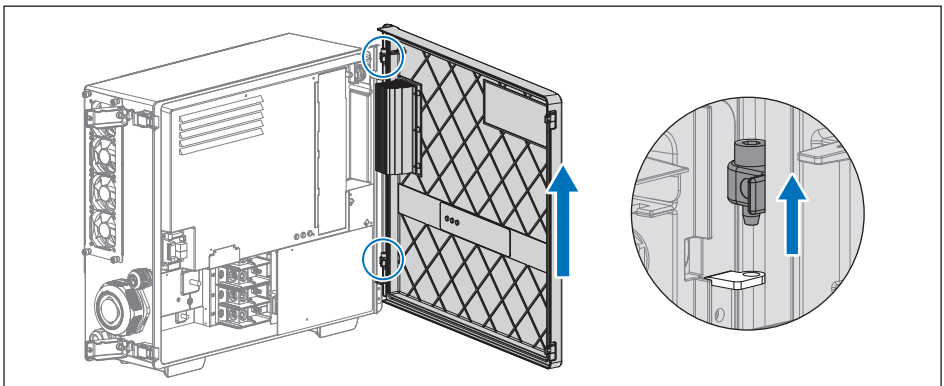
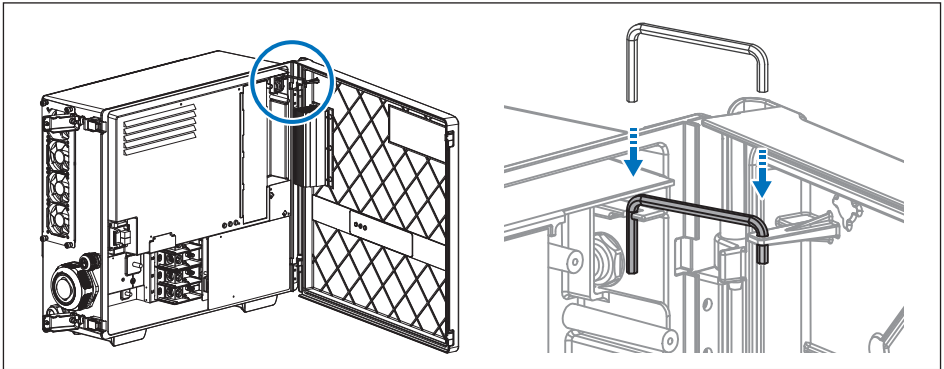
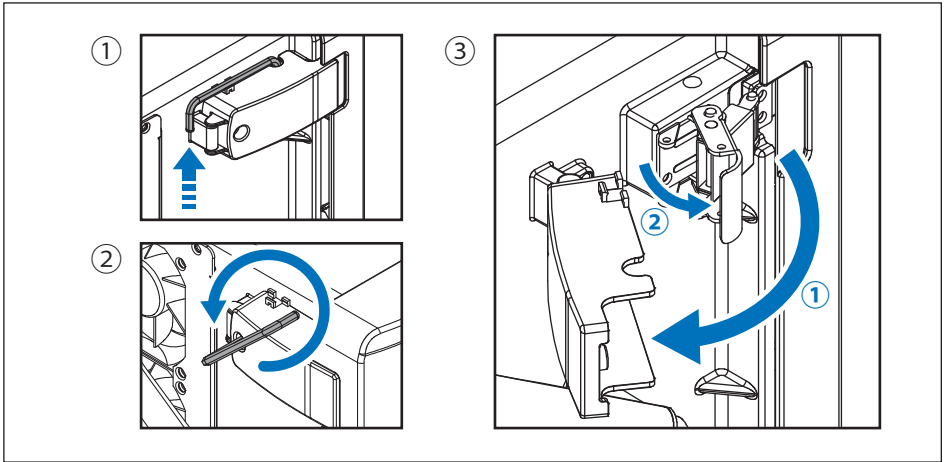
### 5.1.3 Close the Door

#### ATTENTION



- Excessive moisture or dust in the inverter could cause unexpected damage due to the corrosion on the live part. Ensure the inner of the inverter clean without unreasonable pollution is important for a lifetime operation system.

1. Make sure that the terminals or viewable live parts are clean without sundries, dust even liquid.
2. All protection covers are installed well.
3. Remove the hexagon wrench (**Figure 5-2**) and close the door.
4. Buckle the latch lock as **Figure 5-4-①** and apply a brand new one-time-use security seal (item 8, **Table 2-1**) on the toggle latch as **Figure 5-4-②**.
5. Fix the protection cover by the hexagon wrench as **Figure 5-4-④**.
6. The hexagon wrench can be fixed on the protection cover as **Figure 5-4-⑤**.



### ATTENTION



- This inverter is compliant with the “Technical Specification for Security Inspection of Solar Inverter and Monitoring Units” required by BSMI. After closing the door, please apply a security seal on the toggle latch. We will not be liable or responsible for any security incident caused by an improper application of the sticker.
- After cabling or maintenance for the inverter, please properly lock both toggle latches to make sure the inverter will remain IP66 protection.

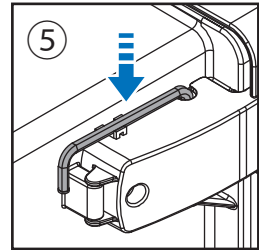
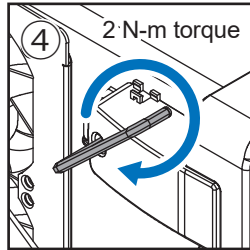
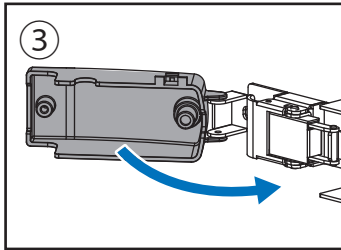
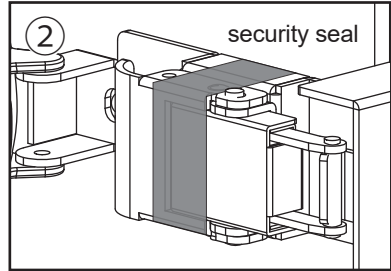
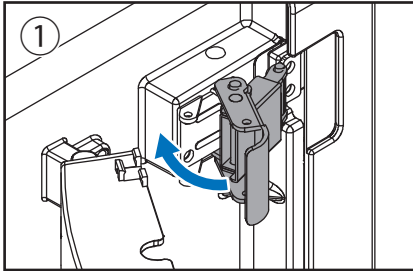


Figure 5-4: Close the door



## 5.2 Replacement of Surge Protection Devices (SPD)

The inverter has the surge protection device (SPD) at both AC and DC side, the location of both AC and DC SPD is shown below.

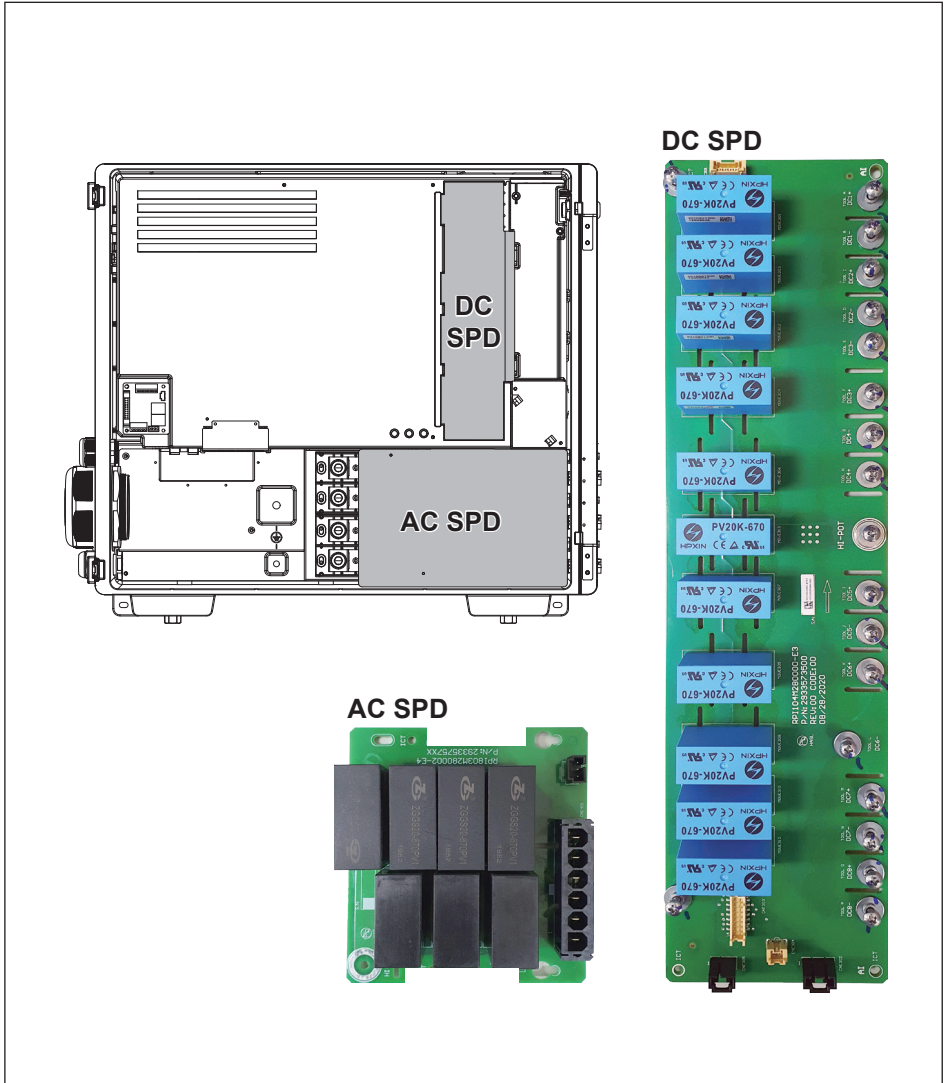


Figure 5-5: SPD modules

## 5.2.1 Removing AC SPD

1. Follow **Section 5.1.1** to disconnect the inverter from Voltage Sources.
2. Follow **Section 5.1.2** to open the door.
3. Remove the protective cover and then appear SPD. (**Figure 5-6**)
4. AC SPD is with two signal wiring connectors, please disengage them from AC SPD PCB (**Figure 5-7-①**).
5. Remove two self-retaining screws(**Figure 5-7-②**), then remove the AC SPD after sliding.

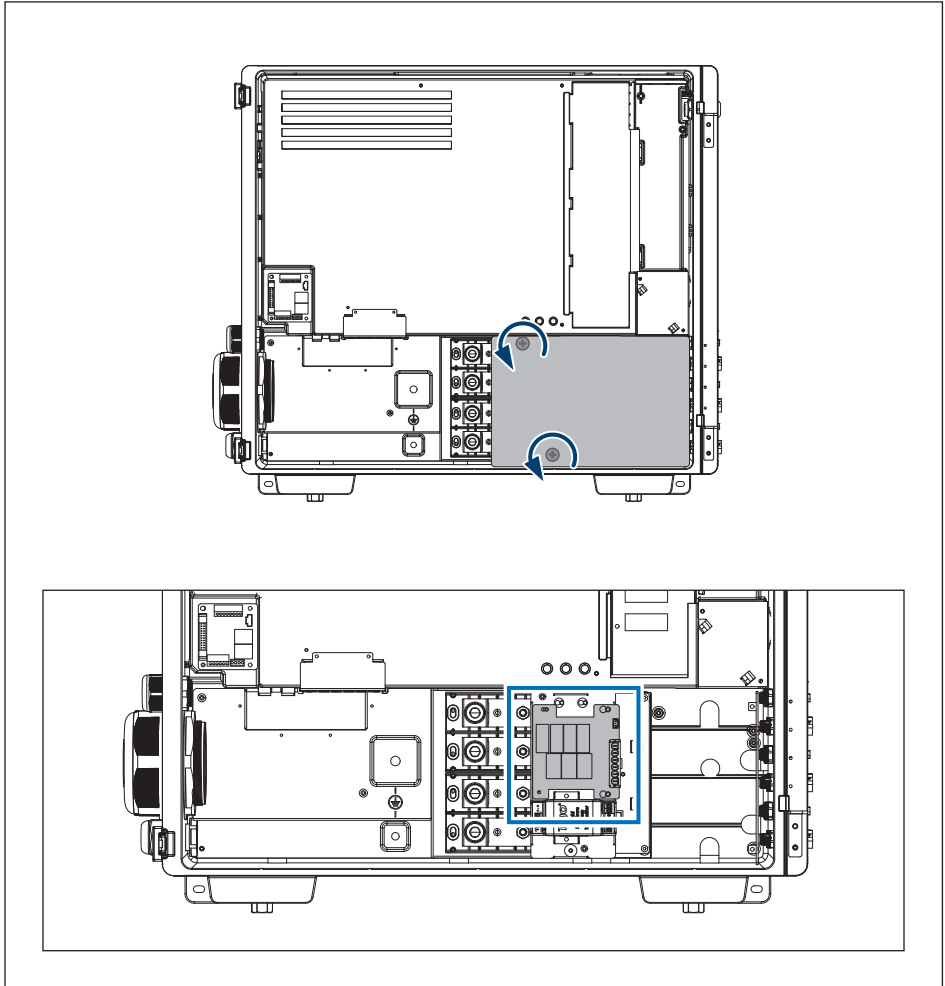
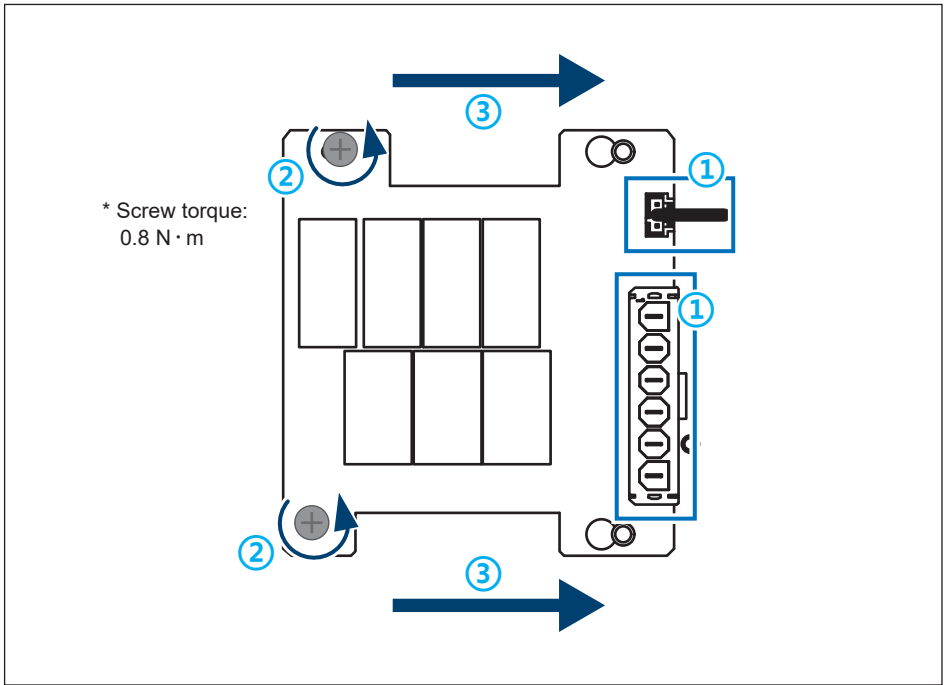


Figure 5-6: Remove the protective cover



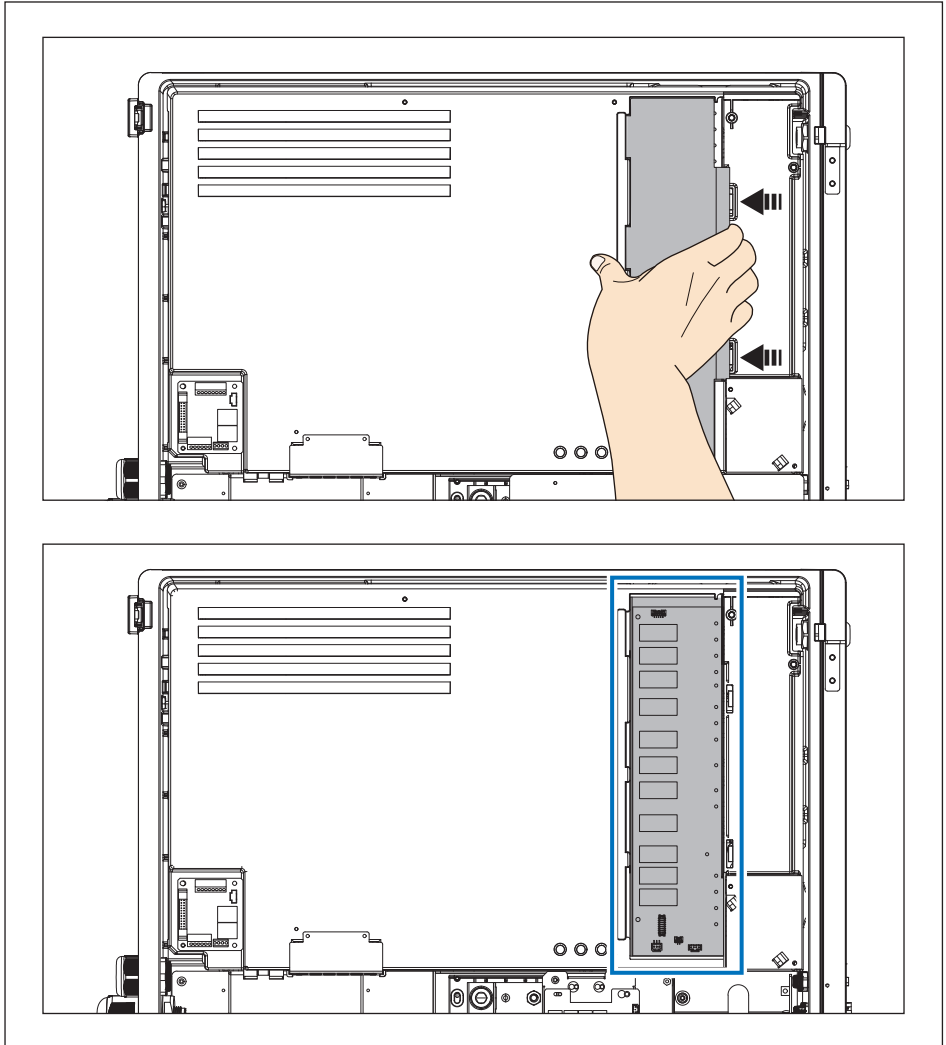
*Figure 5-7: Remove sensing cable and screws*

## 5.2.2 Installing AC SPD

1. Ensure the arrow on AC SPD is up to correctly mount on the three hook holes and place steadily.
2. Use PH2 screwdriver to tighten two self-retaining screws on AC SPD with 0.8 N-m torque.
3. Connect two signal wiring connectors to the slot and ensure to be locked.
4. Mount protective cover and use PH2 screwdriver to tighten two screws with 0.8 N-m torque.
5. Follow **Section 5.1.3** to close front door to finish SPD installation

## 5.2.3 Removing DC SPD

1. Follow **Section 5.1.1** to disconnect from Voltage Sources.
2. Follow **Section 5.1.2** to open front door.
3. Press and remove the protective cover. (**Figure 5-8**)
4. Press to release the lock of the header then remove the sensing cable of DC SPD. (**Figure 5-9-①**)
5. Loose 18 screws to remove DC SPD. (**Figure 5-9-②**)



**Figure 5-8: Remove the protective cover**

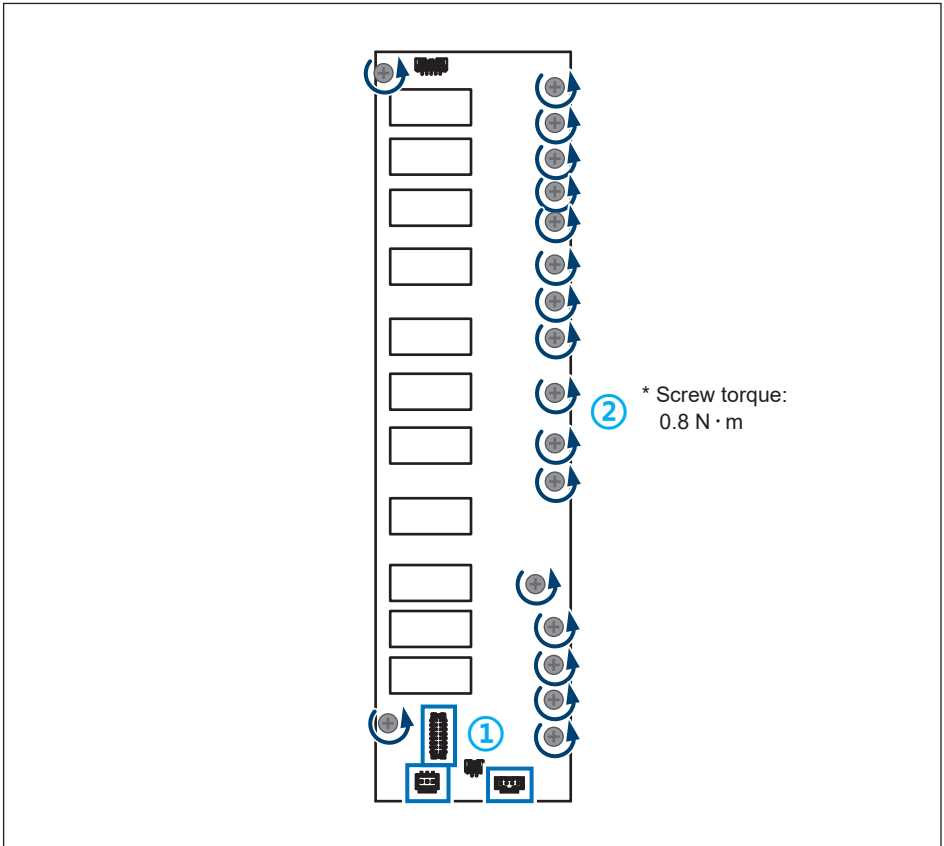


Figure 5-9: Remove sensing cable and screws

## 5.2.4 Installing DC SPD

1. Use PH2 screwdriver to tighten 18 screws on DC SPD with 0.8 N-m torque. Please pay attention for tightening all screws correctly and PCB is not crooked.
2. Connect the sensing cable to the slot and ensure to be locked.
3. Mount protective cover and follow **Section 5.1.3** to close front door to finish SPD installation.

### 5.3 Smart Fans Replacement and Filter Cleaning

The inverter has one fan tray for power module cooling and two internal fans for inside air circulation as shown in **Figure 5-10 to 5-17**

- Power Module (PM) compartment
- Inside the inverter compartment

#### ATTENTION



- Periodic fan and filter cleaning is required to insure long life and reliability.
- The time period between cleanings depends on the quality of the environment.
  - Under normal duty use, Delta recommends smart fans and filters be cleaned every 4 months
  - For very dusty locations, it may be necessary to clean the fans and filters quarterly or monthly.

The cooling fans feature modular designs that make their removal for cleaning or replacement a simple task. As a result, the replacement of fans is also smart.

#### DANGER : ELECTRICAL HAZARD!!



- Prior to beginning any maintenance procedures outside AC breaker and DC switch off to avoid risk of electrical shock!

## 5.3.1 Location of failure fan

If the Error-code comes "W11 - Fan Fail", please refer to the corresponding code shown on DSS and procedure in following chapters to remove the fan.

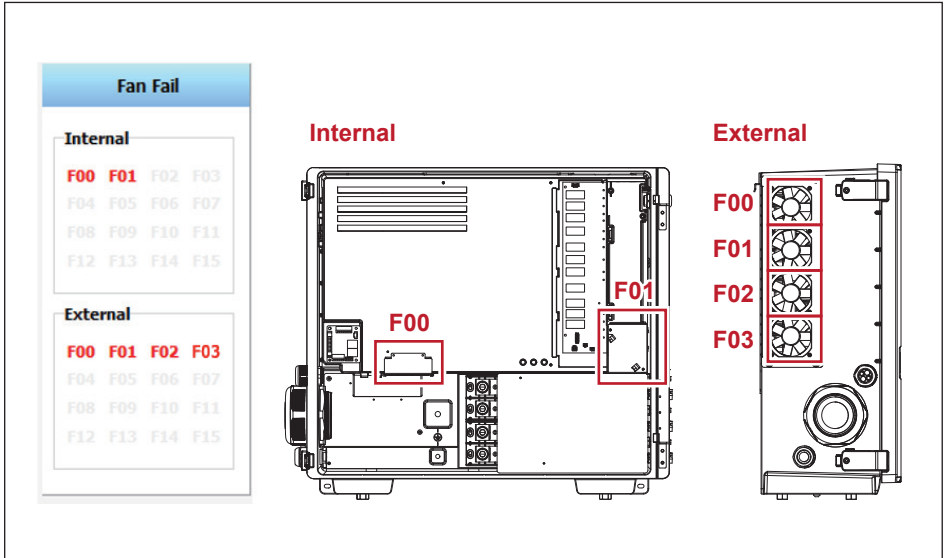


Figure 5-10: The corresponding fan location to the fan fail code on DSS

## 5.3.2 Power Module (PM) Fan Tray

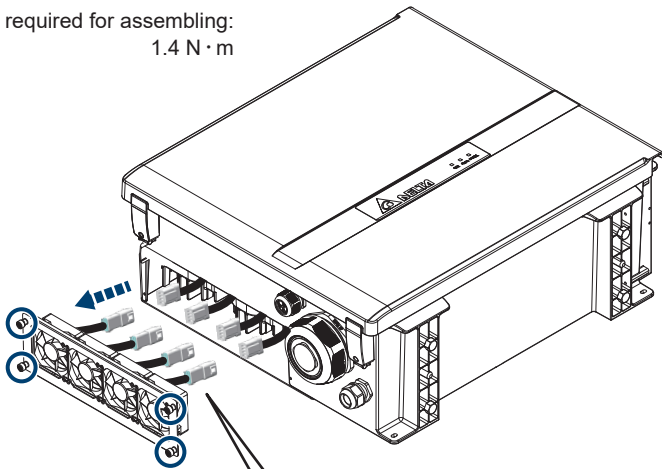
Refer to **Figure 5-11** and follow the steps outlined below:

1. Remove four screws that secure inlet filter cover to case.  
Check filter condition on this step and clean it if necessary.  
For fan maintenance, continue to do following steps.
2. Unplug fan power connectors for each fan.  
(To release snap-fit, press location A and location B from both side .)
4. Pull fan tray out from PM chassis.  
To disassemble fan , remove four screws that secure it to fan tray.

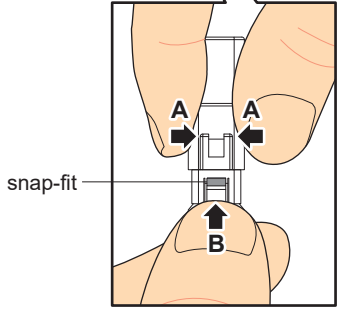
To reassemble reverse the order of the above procedure and tighten screws to torque values indicated in **Figure 5-12**.

\* Screw torque required for assembling:  
1.4 N · m

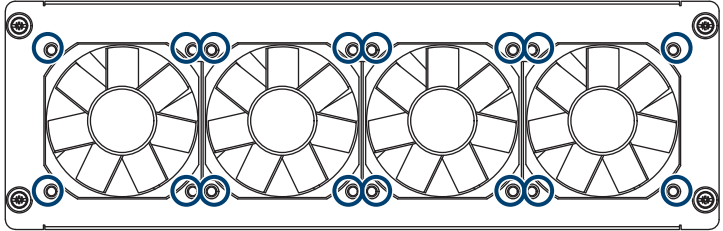
①



②



③



\* Screw torque required for assembling: 0.6 N · m

Figure 5-11: Disassembling fan tray from PM chassis



### 5.3.3 Internal Fan 1

If the warning **"Fan Fail- Internal F01"** show on the DSS / APP, please follow the procedure below to remove Internal Fan 1.

- (1) Remove the B cover. (**Figure 5-12**)
- (2) Disconnect the power connector on the LED board. (**Figure 5-12**)
- (3) Loose two self-retaining screws and remove the fan cabinet. (**Figure 5-13**)
- (4) Lift the entire fan assembly. (**Figure 5-14**)
- (5) Clean assembly or replace with a new fan.
- (6) Reassemble by using  $0.8 \text{ N} \cdot \text{m}$  tightening torque.

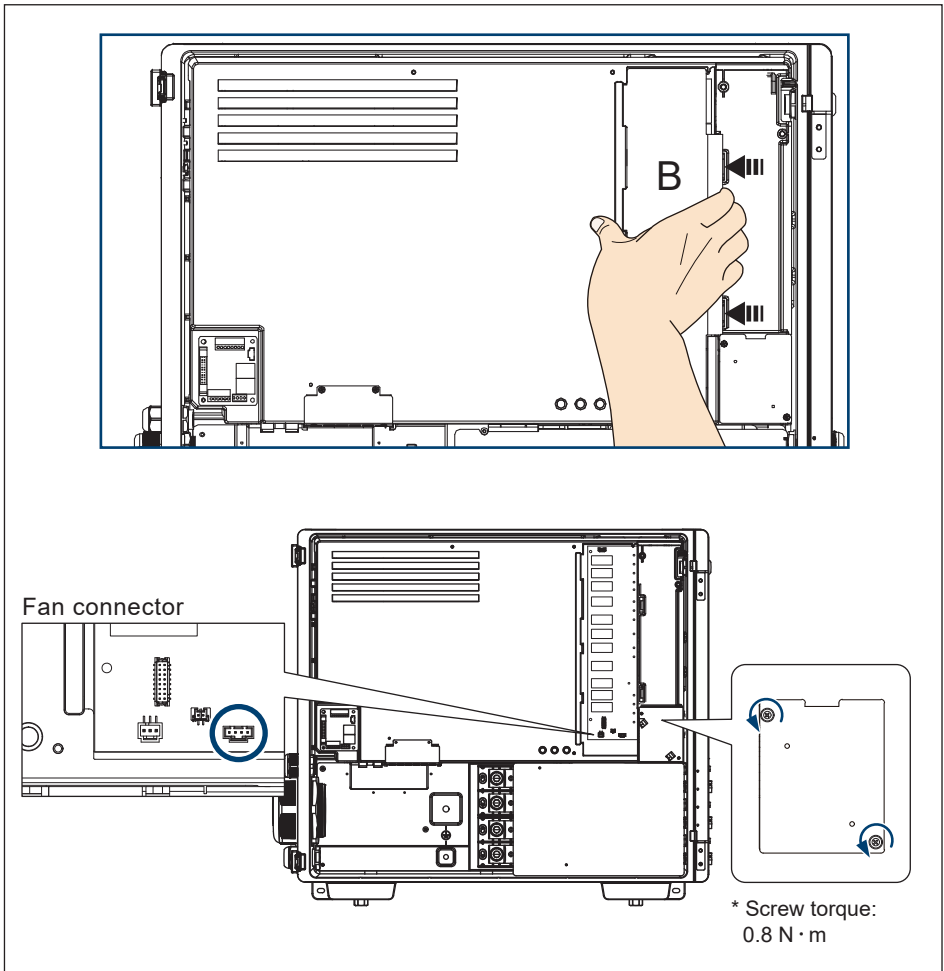
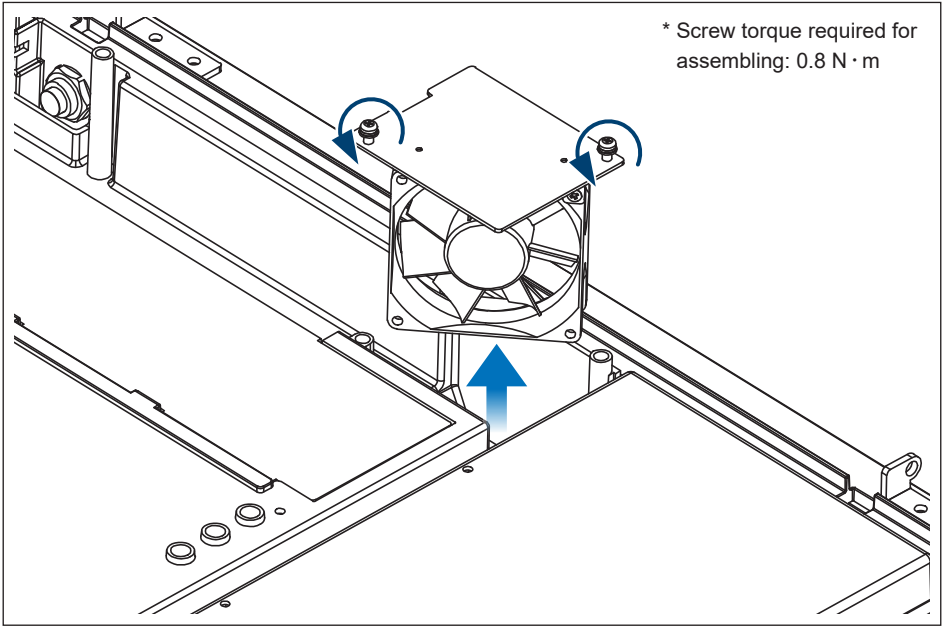
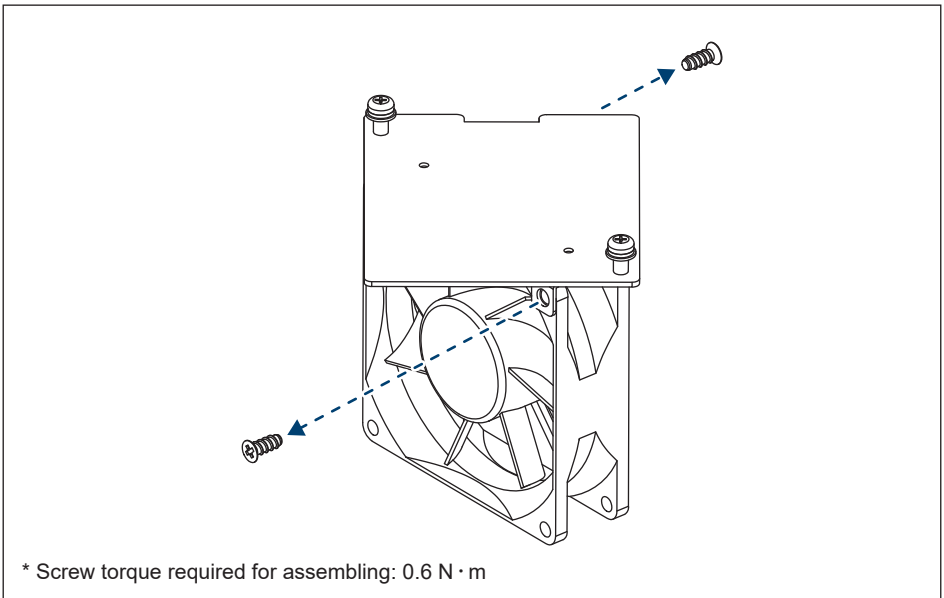


Figure 5-12: Internal fan 1 location & remove the shield cover



**Figure 5-13: Take off the internal fan 1**

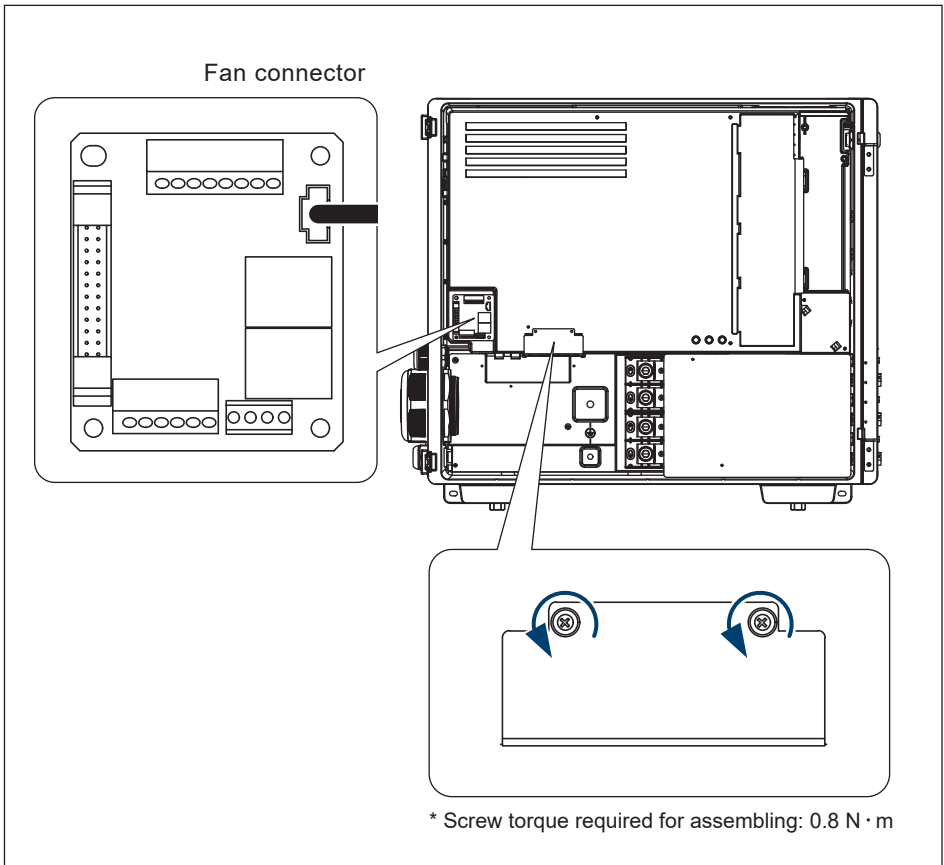


**Figure 5-14: Replace with a new fan**

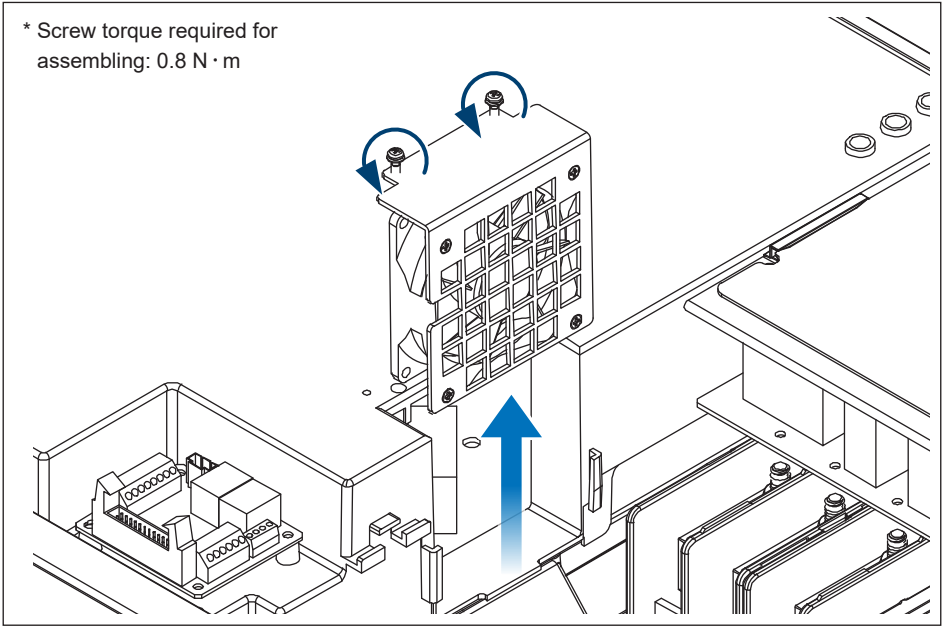
## 5.3.4 Internal Fan 2

If the warning "**Fan Fail- Internal F00**" show on the DSS / APP, please follow the procedure below to remove Internal Fan 2.

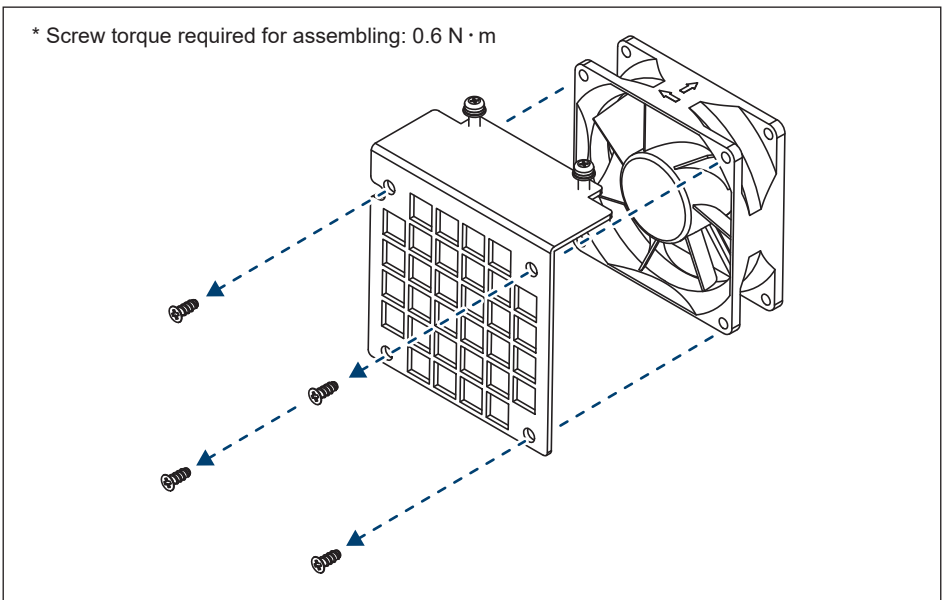
- (1) Disconnect the power connector on the COMM. board. (**Figure 5-15**)
- (2) Loose 2 self-retaining screws and remove the fan cabinet. (**Figure 5-16**)
- (3) Lift the entire fan assembly. (**Figure 5-17**)
- (4) Clean assembly or replace with a new fan.
- (5) Reassemble by using  $0.8 \text{ N} \cdot \text{m}$  tightening torque.



**Figure 5-15: Internal fan 2 location & remove the shield cover**



**Figure 5-16: Take off the internal fan 2**



**Figure 5-17: Replace with a new fan**

## 5.4 De-Commissioning

### DANGER : ELECTRICAL HAZARD!!



- Ensure DC and AC cables are always de-energized during De-commissioning to avoid Shock Hazard!

### CAUTION : HOT SURFACES



- The surface of the inverter may be hot to cause injury, ensure the temperature is in the proper range before De-commissioning.

The procedure to de-commission:

1. Follow **Section 5.1.1** to disconnect from the grid.
2. Follow **Section 5.1.2** to open the door.
3. Remove communication, DC, AC and Internal PE cables from terminals.

### ATTENTION



- All cable conductors have to seal well with high insulation material.

4. Put stopper into the each hole of inner rubber and fasten well for sealing.

## 6 Error Message and Trouble Shooting

While Delta Electronics endeavors to build electronic products with high reliability standards, there may still be situations where the inverter may not operate properly. In this case, please follow the instructions in the “Troubleshooting Guide” (**Tables 6-1 ~ 6-4**) to attempt to clear the fault. If the problem can't be solved, please contact customer service for technical support.

### 6.1 Error Codes (Field Fault)

| Table 6-1A: Error Codes (Field Fault) & Messages |   |   |
|--|---|---|
| Message  | Description   | Action  |
| AC Freq High (E01)                               | Grid frequency high   | 1. Check the utility frequency<br>2. Check Grid code & Grid setting   |
| AC Freq Low (E02)                                | Grid frequency low  |   |
| Island (E03,E04,E05)                             | Islanding is detected   | Check Grid breaker  |
| AC phase jump (E06)                              | Phase jump of Grid voltage  | If repeated occurrence, contact customer service for technical support  |
| Grid Quality (E07)                               | Non-linear load in Grid and near to inverter  | <b><i>If repeated occurrence, contact customer service for technical support</i></b>  |
| AC phase abnormal (E08)                          | Wrong connection in AC plug   | Check the AC connection in accordance with the user manual  |
| No Grid (E09)                                    | 1. AC breaker is OFF<br>2. Disconnect in AC plug  | 1. Switch on AC breaker<br>2. Check the connection in AC plug and make sure it connects to inverter                               |
| AC Volt Low (E10)                                | 1. Actual utility voltage is under the UVR setting<br>2. Incorrect Grid Code or Grid setting<br>3. Wrong connections in AC plug | 1. Check the utility voltage within the suitable range<br>2. Check Grid code & Grid setting<br>3. Check the connection in AC plug |
| AC Volt High (E11)                               | 1. Actual utility voltage is over the OVR setting<br>2. Incorrect Grid Code or Grid setting                                     |   |
| EPO (E25)  | EPO is operated by user   | Release the EPO button  |
| DC Voltage High (E30)                            | Input voltage is over 1000Vdc   | Modify the solar array setting, and make the Voc less than 1000Vdc  |
| Insulation Fault (E34)                           | Insulation problem of PV array to ground  | 1. Check if panel enclosure ground completely<br>2. Check if inverter ground completely<br>3. Check if the DC breakers get wet    |
| Remote OFF (E36)                                 | Remote OFF by external communication  | Check if remote OFF function is active  |

## 6.2 Fault Codes (Inverter Fault)

**Table 6-2A: Fault Codes (inverter fault) & Messages**

| Message                           | Description  | Action  |
|-----------------------------------|--|---|
| DC Injection<br>(F01,F02,F03,F04) | Utility waveform is abnormal                             | <b>Contact customer service for technical support</b>   |
| Temperature High<br>(F05)         | The internal ambient temperature is over limit           | Check the installation ambient and environment  |
| Amb Temp Fault<br>(F06)           | Ambient temperature detection failure                    | <b>Contact customer service for technical support</b>   |
| Temperature Low<br>(F07)          | The internal ambient temperature is under limit          | Check the installation ambient and environment  |
| Boost Temp Fault<br>(F08)         | Boost module temperature detection failure               | <b>Contact customer service for technical support</b>   |
| Bidir. Temp Fault<br>(F09)        | The boost/bidir. NTC temperature                         | <b>Contact customer service for technical support</b>   |
| Inverter Temp Fault<br>(F10)      | Inverter module temperature detection failure            | <b>Contact customer service for technical support</b>   |
| AC RLY Fault<br>(F13)             | 1. Defective relay driver circuit<br>2. Relay(s) failure | <b>Contact customer service for technical support</b>   |
| FW Unmatch<br>(F14)               | Firmware Incompatibility                                 | <b>Contact customer service for technical support</b>   |
| AC Sensor Fault<br>(F15)          | Auxiliary power circuit failure                          | 1. Check the polarity of PV connection (if the error code comes along with <b>W08</b> )<br>2. <b>Contact customer service for technical support</b> |
| Vdc Sensor Fault<br>(F16)         | DSP Vdc sensor circuit defective                         | <b>Contact customer service for technical support</b>   |
| Idc Sensor Fault<br>(F17)         | Auxiliary power circuit failure                          | 1. Check the polarity of PV connection (if the error code comes along with <b>W08</b> )<br>2. <b>Contact customer service for technical support</b> |
| AC Sensor Fault<br>(F18)          | Auxiliary power circuit failure                          | <b>Contact customer service for technical support</b>   |
| Idc Sensor Fault<br>(F19)         | Auxiliary power circuit failure                          | <b>Contact customer service for technical support</b>   |
| Red COMM Fault<br>(F22)           | The internal communication connection is disconnected    | <b>Contact customer service for technical support</b>   |

| <b>Table 6-2B: Fault Codes (inverter fault) &amp; Messages</b> |   |  |
|--|---|--|
| <b>Message</b>   | <b>Description</b>  | <b>Action</b>  |
| DSP COMM Fault (F23)   | The internal communication connection is disconnected                     | Check the connection interface RS-485  |
| Ground Cur. High (F24)   | Insulation problem of PV array to ground                                  | 1. Check the insulation of Solar inputs<br>2. <b>Contact customer service for technical support</b>  |
| Iac Unbalance (F26)  | 1. Power line is disconnected<br>2. Current feedback circuit is defective | Check the connection in AC plug  |
| RCMU Fault (F27)   | RCMU circuit is disconnected  | <b>Contact customer service for technical support</b>  |
| AC RLY Short (F28)   | Grid relay short  | <b>Contact customer service for technical support</b>  |
| AC RLY Open (F29)  | Grid relay open   | <b>Contact customer service for technical support</b>  |
| Bus Unbalance (F30)  | Voltage unbalance of DC link  | Restart inverter by DC switch  |
| Bus Voltage High (F31, F32, F33 F34, F35)                      | High bus capacitor voltage  | 1.Restart inverter by DC switch<br>2.Check the solar array setting, and make sure the Voc less than Max. Vdc of Inverter (if the error code comes along with E30)        |
| AC Current High (F36,F37,F38 F39,F40,F41)                      | Surge occurs during operation   | <b>Contact customer service for technical support</b>  |
| AC CT Fault (F42,43,44)  | Phase R / S / T CT is defective   | <b>Contact customer service for technical support</b>  |
| AC Current High (F45)  | AC current over range   | Restart the inverter by DC switches  |
| ZC Circuit Fault (F50)   | The zero crossing circuit is defective                                    | <b>Contact customer service for technical support</b>  |
| Inv Circuit Fault (F51)  | The inverter circuit is defective   | <b>Contact customer service for technical support</b>  |
| Boost Circuit Fault (F52)                                      | The boost circuit is defective  | <b>Contact customer service for technical support</b>  |
| Arc circuit fail (F58)   | 1. AFCI is not installed<br>2. AFCI self-test is fail                     | Check the AFCI detection circuit board for making sure it is connected correctly   |
| Arc fault (F59)  | The inverter detects arcing occurs  | 1. Check if there are any cable damaged at DC side.<br>2. Replace DC cable and unlock the Arc fault from DSS<br>3. <b>Contact customer service for technical support</b> |



**Table 6-2C: Fault Codes (inverter fault) & Messages**

| Message                              | Description   | Action   |
|--------------------------------------|---|--|
| DC Current High<br>(F60,F61,F70,F71) | DC current over range                                 | Restart inverter by DC switches  |
| Ext COMM. Fault<br>(F74)             | The external communication connection is disconnected | 1. Check the connection between external unit and COMM<br>2. <b>Contact customer service for technical support</b> |

### 6.3 Warning Codes (Field Warning)

**Table 6-3A: Warning Codes (Field warning) & Messages**

| Message                     | Description  | Action  |
|-----------------------------|--|---|
| De-rating<br>(W07)          | <ol style="list-style-type: none"> <li>Over temperature</li> <li>Power Limit function</li> <li>Power vs. Frequency function</li> <li>P(V) function</li> <li>Grid Voltage low</li> <li>Solar Voltage low</li> <li>Solar Voltage High</li> <li>Ramp up function</li> </ol> | <ol style="list-style-type: none"> <li>Check the installation ambient and environment</li> <li>Check Grid Code &amp; Grid setting</li> <li>Check the utility frequency on the inverter terminal</li> <li>Check the utility voltage on the inverter terminal</li> <li>5-1. Check the utility voltage on the inverter terminal</li> <li>5-2. Check reactive power setting</li> <li>Check the Solar voltage on the inverter terminal</li> <li>Check the Solar voltage on the inverter terminal</li> <li>Check Ramp up setting</li> </ol> |
| String fault<br>(W08)       | <ol style="list-style-type: none"> <li>Polarity of DC connectors is incorrect</li> <li>String current monitoring function is fail</li> </ol>   | <ol style="list-style-type: none"> <li>Check the polarity of PV connection</li> <li>Restart DC switch and AC breaker</li> <li><b>Contact customer service for technical support</b></li> </ol>  |
| String Current Low<br>(W23) | Disconnection in DC connectors   | <ol style="list-style-type: none"> <li>Check String Connector and Fuse</li> <li><b>Contact customer service for technical support</b></li> </ol>  |

### 6.4 Warning Codes (Inverter Warning)

**Table 6-4A: Warning Codes (inverter warning) & Messages**

| Message                                     | Description  | Action   |
|---|--|--|
| Fan Fail<br>(W11)                           | <ol style="list-style-type: none"> <li>One or more fans are locked</li> <li>One or more fans are defective</li> <li>One or more fans are disconnected</li> </ol> | <p><b>External Fan Fail -</b></p> <ol style="list-style-type: none"> <li>Remove the object that stuck in the fan(s)</li> <li>Check the connections of all fans</li> <li>Replace the defective fan(s)</li> </ol> <p><b>Internal Fan Fail - Contact customer service for technical support</b></p> |
| DC SPD Fault<br>AC SPD Fault<br>(W17) (W18) | <ol style="list-style-type: none"> <li>One or more SPD are defective</li> <li>One or more SPD are disconnected</li> </ol>  | <ol style="list-style-type: none"> <li>Replace the defective SPD</li> <li>Check the connections of SPDs</li> </ol>   |
| Boost Circuit Fault<br>(W30)                | The boost circuit defective  | <b>Contact customer service for technical support</b>  |

## 7 Technical Information

| Table 7-1A: Specifications          |   |           |
|-------------------------------------|---|-----------|
| Model                               | M100A_280 / M100A_283   | M110A_283 |
| <b>DC Input</b>                     |   |           |
| Occasionally Max. voltage           | 1000 V *1   |           |
| Operating Voltage Range             | 200 - 1000 V  |           |
| MPP Voltage Range (Full Power)      | 520 - 840 V *2  |           |
| Start Voltage                       | > 250 V   |           |
| Rated Voltage                       | 610 V   |           |
| Max. Operating Current              | 30 A / MPPT   |           |
| Max. Short Current Capability (Isc) | 50 A / MPPT   |           |
| Max. Input Power                    | 150 kW  |           |
| Number of MPP Trackers              | 8   |           |
| DC Connection Type                  | Amphenol H4 DC Connector  |           |
| Surge Protection                    | Type II SPD (built-in) ; Type I+II SPD (optional)   |           |
| Arc Fault Detection                 | Built-in  |           |
| <b>AC Output</b>                    |   |           |
| Max. Apparent Power                 | 110 kVA   |           |
| Max. Actual Power                   | 110 kW  |           |
| Rated Output Power                  | 100 kW @ 50°C ; 110 kW @ 40°C (480 V)<br>100 kW @ 40°C ; 110 kW @ 35°C (400 V)<br>100 kW @ 35°C ; 110 kW @ 25°C (380 V) |           |
| Max. Output Current                 | 168 A for 380V / 400V / 440V ; 133 A for 480V   |           |
| Rated Voltage                       | 380V / 400V / 440V / 480V, 3Ø3W or 3Ø4W   |           |
| AC Voltage Range                    | 80% - 120% of nominal AC voltage  |           |
| Night Time Reactive Power           | 66 kVAR   |           |
| Operating Frequency Range           | 50 / 60Hz ± 5Hz   |           |
| Power Factor (Adjustable)           | 0.8 ind - 0.8 cap   |           |
| Surge Protection                    | Type II SPD   |           |
| T.H.D                               | < 3% at Rated output current  |           |
| AC Connection Type                  | Terminal block, Max. 240 mm <sup>2</sup> Cu and Al conductor  |           |
| Night Time Consumption *3           | < 3.5 W   |           |

\*1 Maximum Withstand is 1100Vdc. However, the inverter will stop operating when the PV voltage is above 1000Vdc.

\*2 Ambient < 25°C: 470~860V ; Ambient < 30°C: 470~860V ; Ambient < 40°C: 520~580V

\*3 With RS-485 communication

| <b>Table 7-1B: Specifications</b> |  |  |
|-----------------------------------|--|--|
| <b>Model</b>                      | <b>M100A_280 / M100A_283 / M110A_283</b>           |  |
| <b>Efficiency</b>                 |  |  |
| Peak efficiency                   | 98.7 % @AC 400 V / 98.8 % @AC 480 V                |  |
| Euro efficiency                   | 98.4 % @AC 400 V / 98.5 % @AC 480 V                |  |
| <b>Information</b>                |  |  |
| Communication Port                | RS-485 / Bluetooth                                 |  |
| <b>Regulation</b>                 |  |  |
| Grid Support                      | IEC 62109-1/-2<br>IEC 62116<br>EN 61000-6-2<br>VPC | IEC 61727<br>IEC 61683<br>EN 61000-6-3 |
| <b>General Data</b>               |  |  |
| Operating Temp. Range             | -25 to +60°C                                       |  |
| Protection Level                  | IP66   |  |
| Operating Elevation               | < 4000 m   |  |
| Cooling                           | Smart fan air cooling                              |  |
| Noise                             | 65.2 dBA @1m, Amb25°C                              |  |
| Dimension (W x H x D)             | 699 x 629 x 264 mm                                 |  |
| Weight                            | 80 kg  |  |

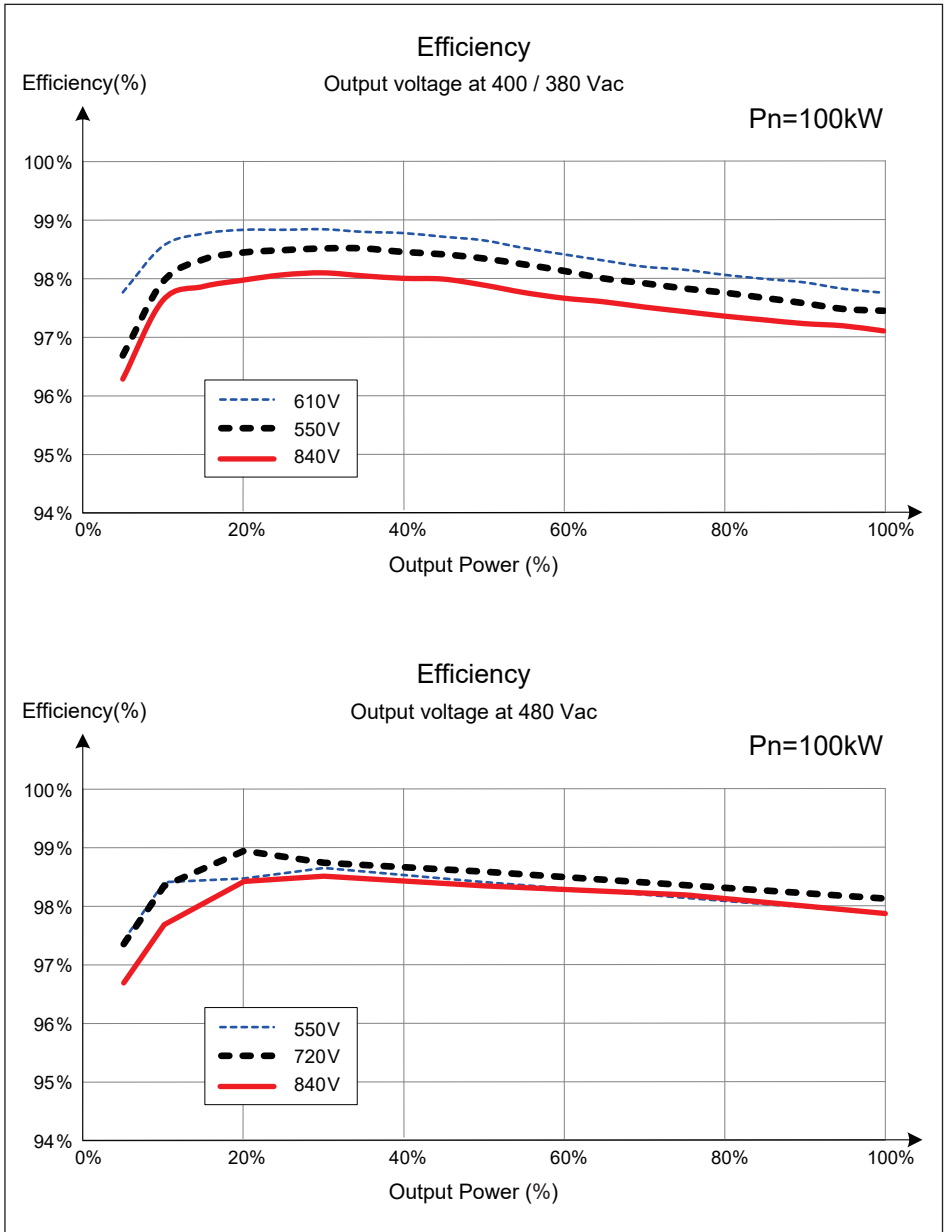
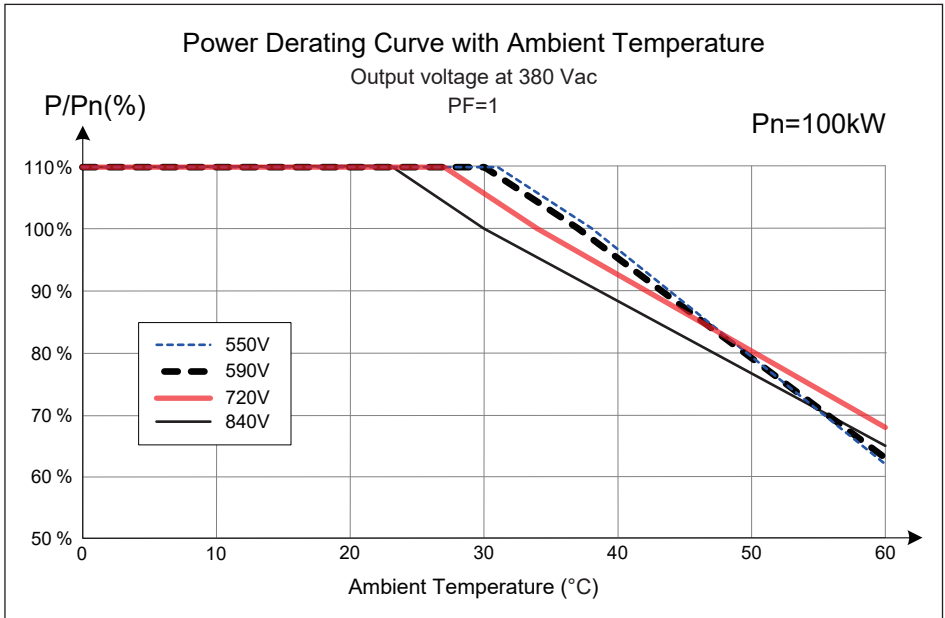
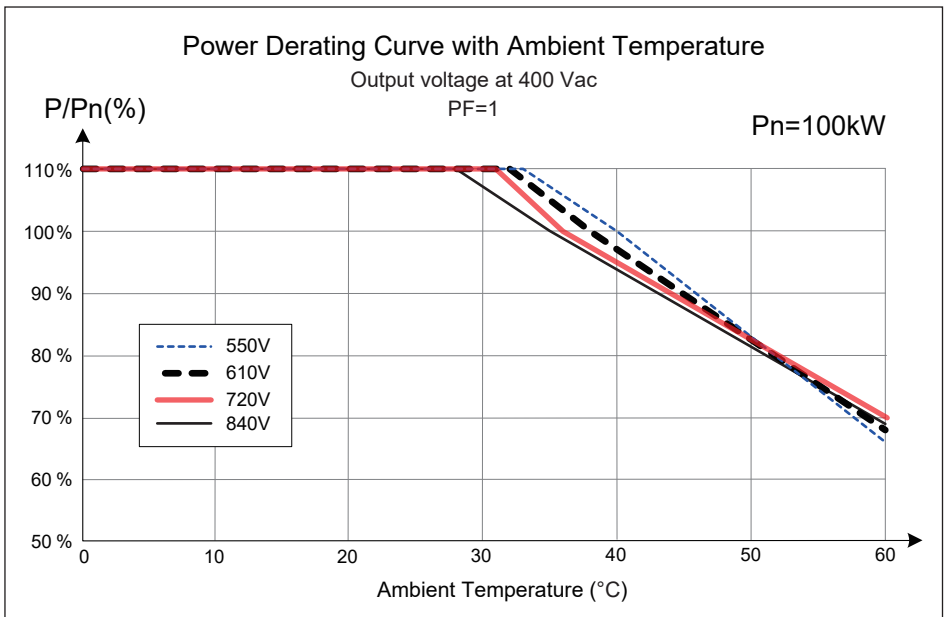


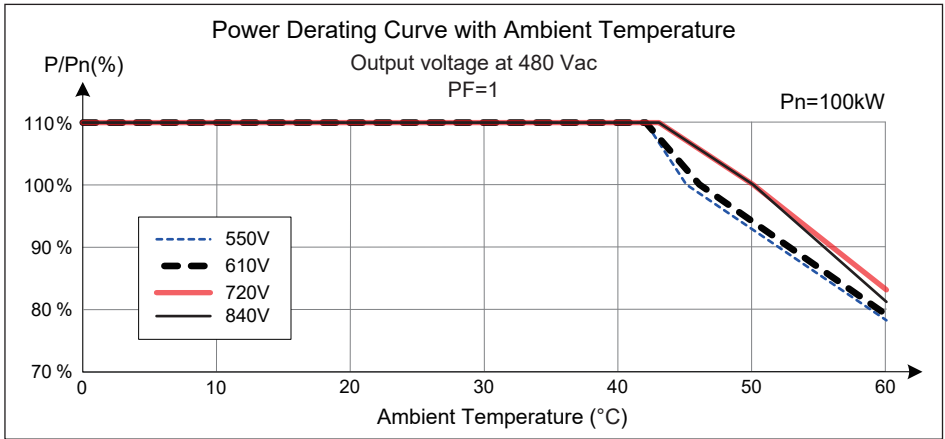
Figure 7-1: Efficiency Curve



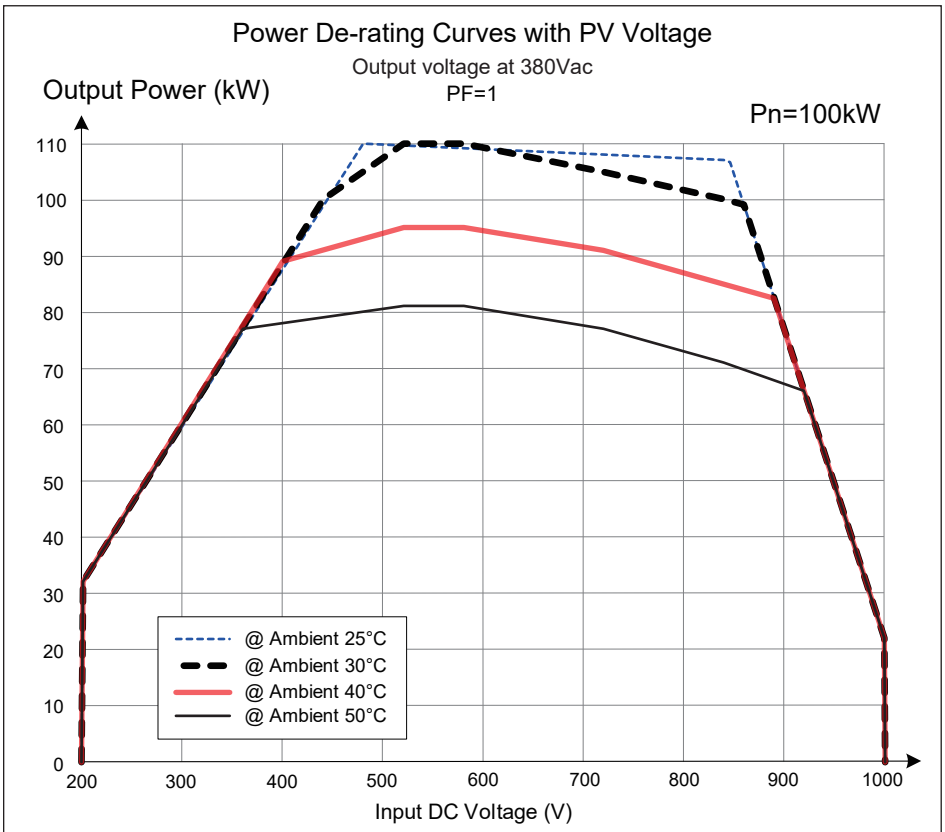
**Figure 7-2: Power Derating Curve with Ambient Temperature (380 Vac)**



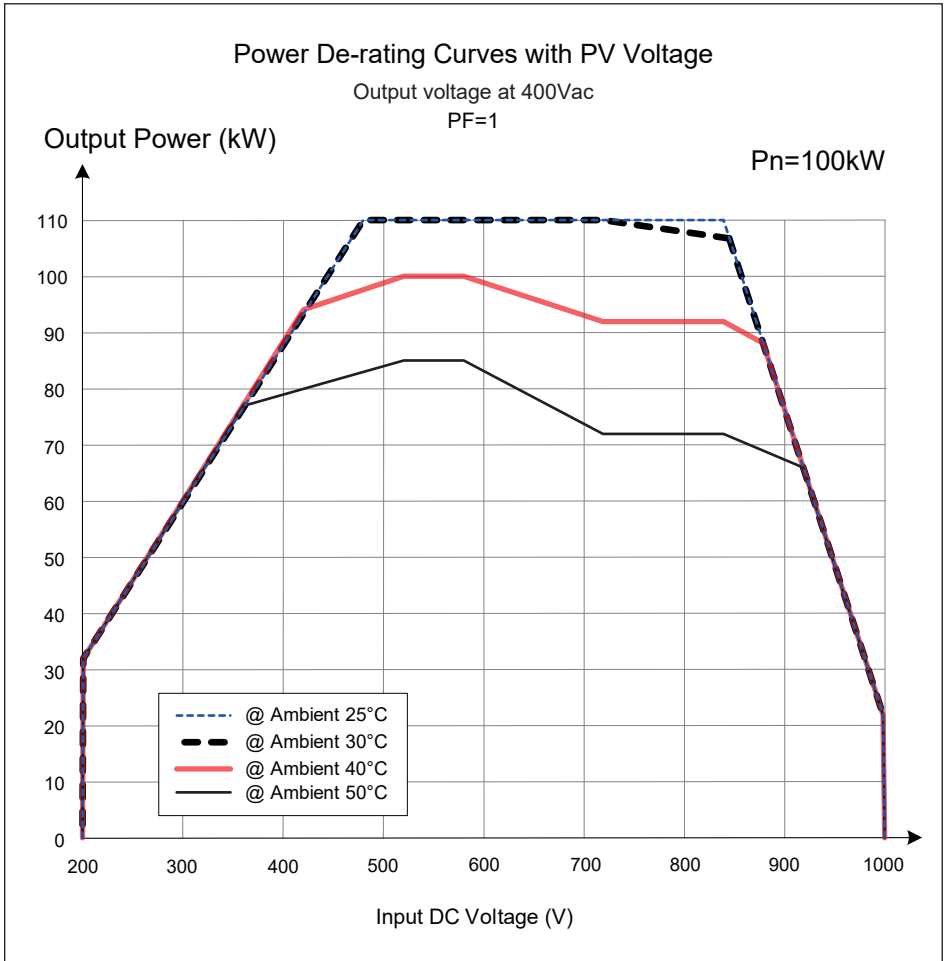
**Figure 7-3: Power Derating Curve with Ambient Temperature (400 Vac)**



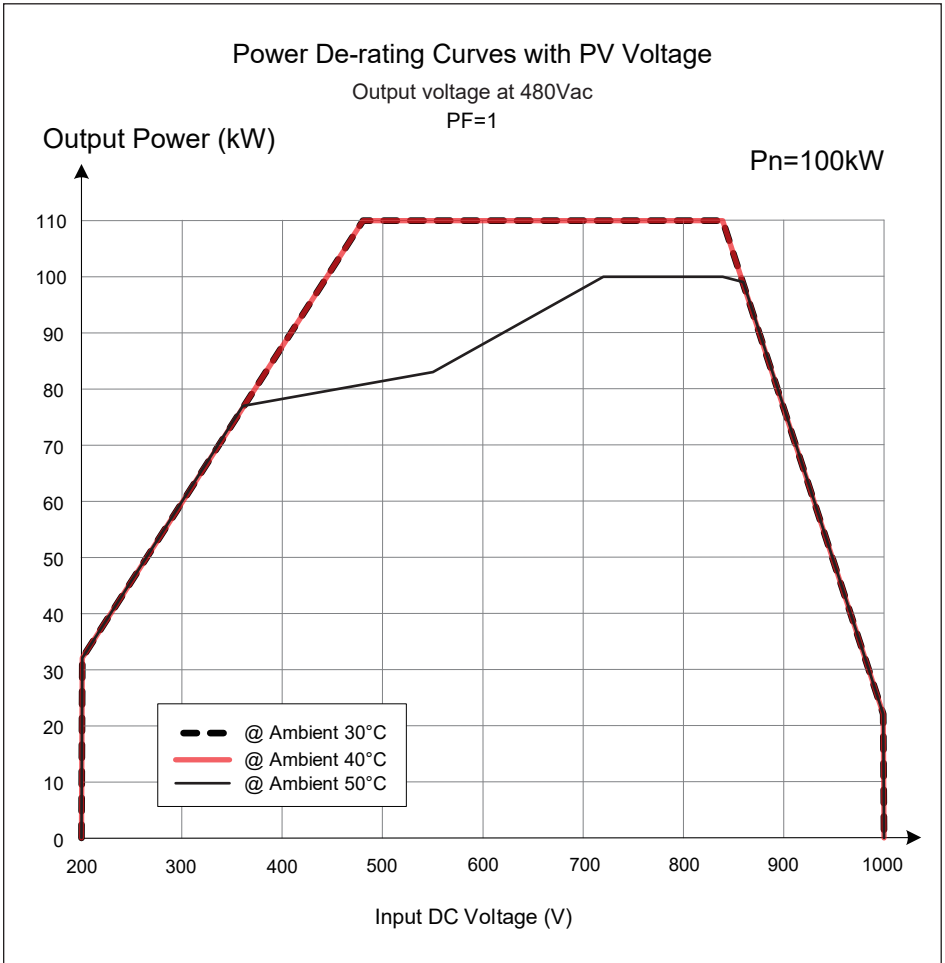
**Figure 7-4: Power Derating Curve with Ambient Temperature (480 Vac)**



**Figure 7-5: Power De-rating Curves with PV Voltage (380 Vac)**



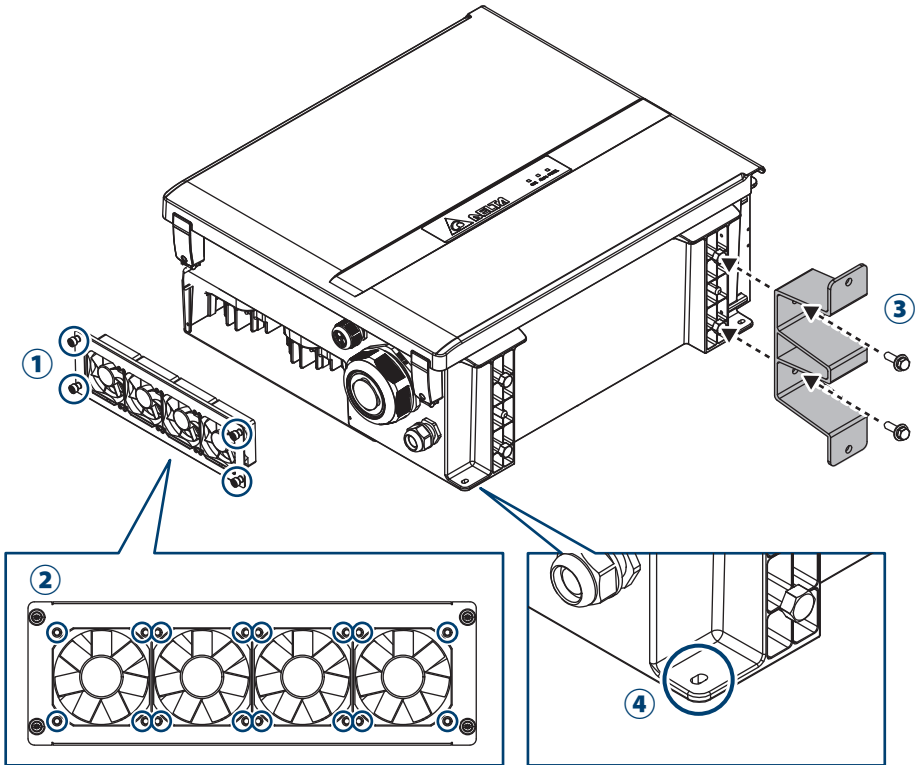
**Figure 7-6: Power De-rating Curves with PV Voltage (400 Vac)**



**Figure 7-7: Power De-rating Curves with PV Voltage (480 Vac)**

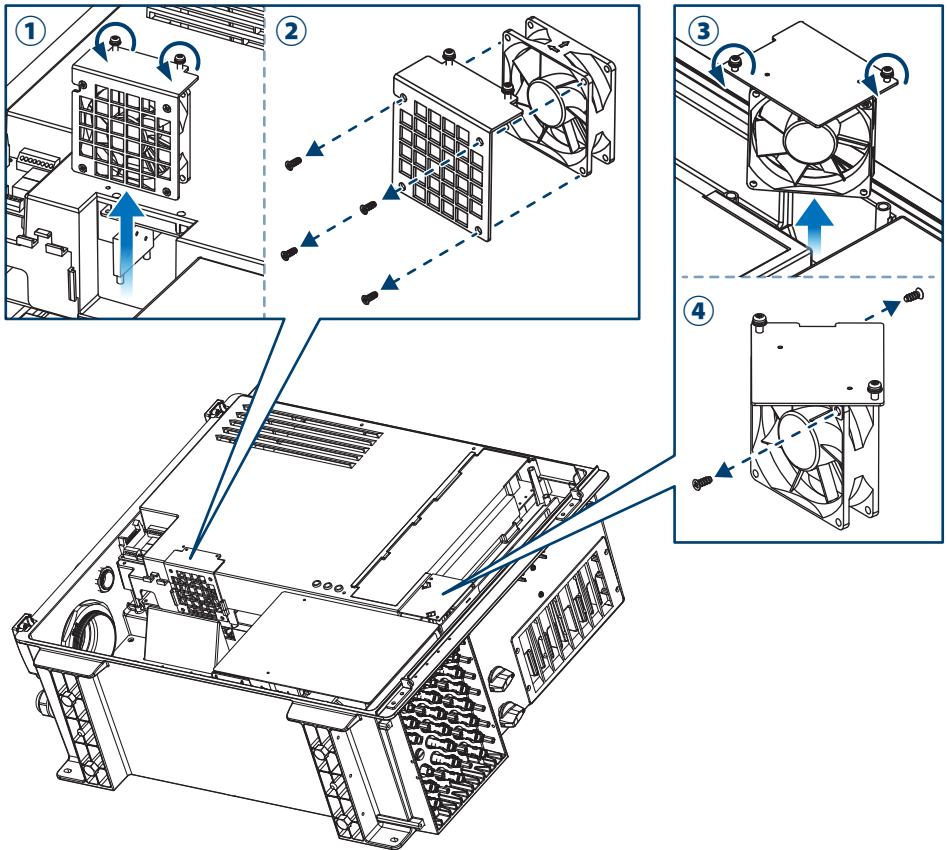


## Appendix: Assembly Note



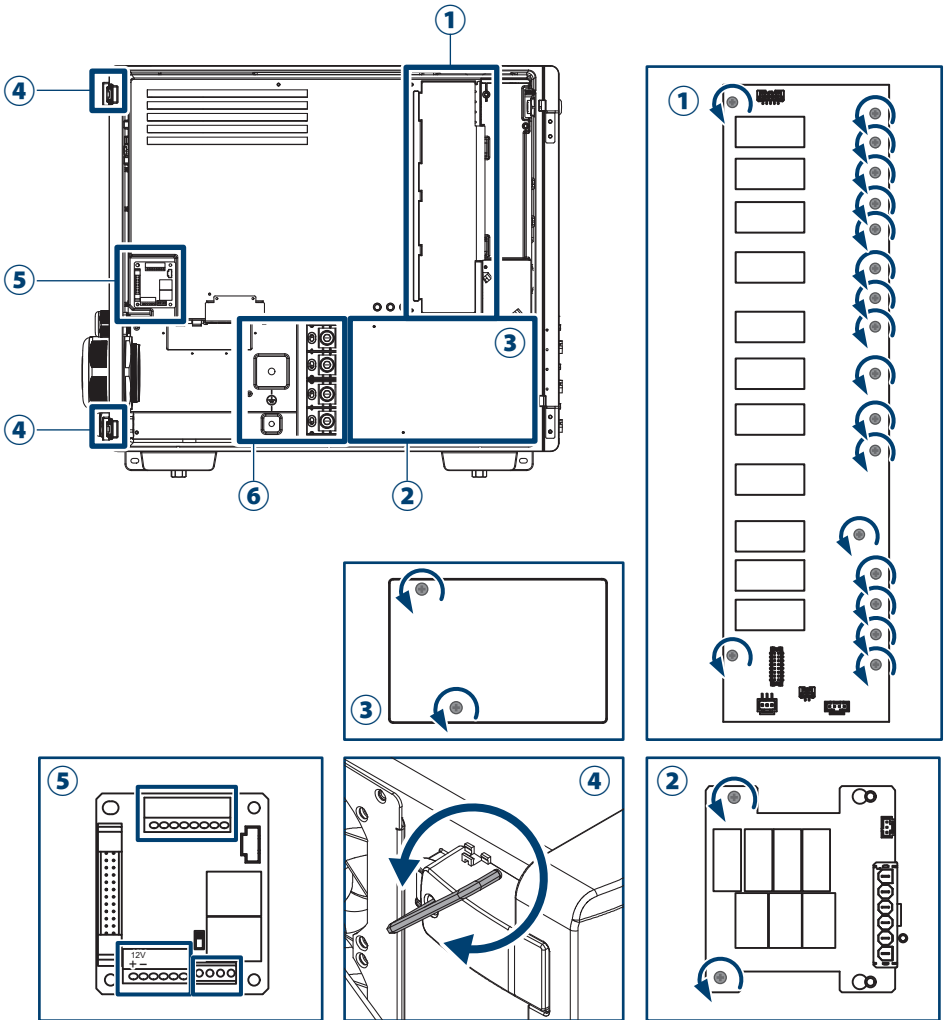
**Appendix-1: Assembly Note-1**

| NO | Location         | Screw torque         |
|----|------------------|----------------------|
| 1  | Filter           | 14 kgf-cm (1.4N·m)   |
| 2  | Fan Tray         | 6 kgf-cm (0.6N·m)    |
| 3  | Grounded Bracket | 250 kgf-cm (24.5N·m) |
| 4  | Grounding (M8)   | 102 kgf-cm (10N·m)   |



**Appendix-2: Assembly Note-2**

| NO | Location             | Screw torque          |
|----|----------------------|-----------------------|
| 1  | Internal Fan 2 Cover | 8.0 kgf-cm (0.8N · m) |
| 2  | Internal Fan 2 Tray  | 6.0 kgf-cm (0.6N · m) |
| 3  | Internal Fan 1 Cover | 8.0 kgf-cm (0.8N · m) |
| 4  | Internal Fan 1 Tray  | 6.0 kgf-cm (0.6N · m) |



**Appendix-3: Assembly Note-3**

| NO | Location           | Screw torque        | Conductor cross-section   |
|----|--------------------|---------------------|---|
| 1  | SPD board          | 8.0 kgf-cm (0.8N·m) | -   |
| 2  | AC Cover           | 8.0 kgf-cm (0.8N·m) | -   |
| 3  | Toggle Latch       | 25 kgf-cm (2.45N·m) | -   |
| 4  | Communication port | -                   | 20 AWG (0.5mm <sup>2</sup> )  |
| 5  | AC terminal        | L1, L2, L3, N       | 422 kgf-cm (42.4 N·m)   |
|    |                    | PE                  | M8/ 150 kgf-cm (14.7 N·m)<br>M10/ 250 kgf-cm (24.5 N·m)   |
|    |                    |                     | Cu: 70 mm <sup>2</sup> (3/0 AWG) ~ 240 mm <sup>2</sup> (470 kcmil)<br>Al: 120 mm <sup>2</sup> (4/0 AWG) ~ 240 mm <sup>2</sup> (470 kcmil) |





## 三相併網型變流器

M100A\_280 / M100A\_283  
操作手冊

English ..... 1

繁體中文 ..... 85

[www.deltaww.com](http://www.deltaww.com)

 **DELTA**  
Smarter. Greener. Together.

# Contents

|          |                 |            |
|----------|-----------------|------------|
| <b>1</b> | <b>安全規範</b>     | <b>91</b>  |
| 1.1      | 變流器資料           | 91         |
| 1.1.1    | 免責聲明            | 91         |
| 1.1.2    | 適用對象            | 91         |
| 1.2      | 安全概述            | 92         |
| 1.2.1    | 使用條件            | 92         |
| 1.2.2    | 標誌              | 94         |
| <b>2</b> | <b>產品介紹</b>     | <b>95</b>  |
| 2.1      | 適用機種            | 95         |
| 2.2      | 產品概述            | 96         |
| <b>3</b> | <b>安裝</b>       | <b>100</b> |
| 3.1      | 拆箱與檢視           | 100        |
| 3.2      | 機構安裝            | 101        |
| 3.2.1    | 壁掛式安裝           | 103        |
| 3.2.2    | 落地式安裝 (選配)      | 108        |
| 3.3      | 佈線              | 110        |
| 3.4      | 交流配線安裝          | 111        |
| 3.4.1    | AC 形式與連接方式      | 112        |
| 3.4.2    | 必要保護裝置          | 112        |
| 3.4.3    | 交流線材準備          | 113        |
| 3.4.4    | 接地線材準備          | 113        |
| 3.4.5    | 接地線安裝           | 114        |
| 3.4.6    | M100A_280 交流配線  | 117        |
| 3.4.7    | M100A_283 交流配線  | 118        |
| 3.5      | 直流配線安裝          | 119        |
| 3.5.1    | 直流線材準備          | 120        |
| 3.5.2    | 導線壓接與組裝直流接頭     | 120        |
| 3.5.3    | 安裝直流配線          | 121        |
| 3.6      | 通信模組            | 123        |
| 3.6.1    | RS-485 連線       | 124        |
| 3.6.2    | EPO 緊急關斷功能與數位輸入 | 126        |
| 3.6.3    | 乾接點連接說明         | 127        |

|          |                     |            |
|----------|---------------------|------------|
| <b>4</b> | <b>試運行</b>          | <b>128</b> |
| 4.1      | 控制面板介紹              | 129        |
| 4.2      | 單一裝置初始設定-藍牙         | 130        |
| 4.3      | 多台裝置初始設定-Auto ID    | 132        |
| 4.3.1    | DSS連接               | 132        |
| 4.3.2    | 掃描變流器               | 133        |
| 4.3.3    | ID設定                | 134        |
| 4.3.4    | 國別設定                | 135        |
| 4.3.5    | 時間同步設定              | 135        |
| 4.4      | Delta功能設定           | 136        |
| <b>5</b> | <b>維護</b>           | <b>137</b> |
| 5.1      | 開啟與關閉前蓋             | 137        |
| 5.1.1    | 斷電程序                | 137        |
| 5.1.2    | 開啟前蓋                | 137        |
| 5.1.3    | 關閉前蓋                | 137        |
| 5.2      | 更換雷擊保護裝置 (SPD)      | 140        |
| 5.2.1    | 移除交流雷擊保護裝置 (AC SPD) | 141        |
| 5.2.2    | 安裝交流雷擊保護裝置 (AC SPD) | 144        |
| 5.2.3    | 移除直流雷擊保護裝置 (DC SPD) | 145        |
| 5.2.4    | 安裝直流雷擊保護裝置 (DC SPD) | 144        |
| 5.3      | 智慧風扇更換與濾網清潔         | 145        |
| 5.3.1    | 風扇告警對應位置            | 146        |
| 5.3.2    | 功率模組專用風扇            | 146        |
| 5.3.3    | 內部風扇1               | 148        |
| 5.3.4    | 內部風扇2               | 150        |
| 5.5      | 終止運轉                | 152        |
| <b>6</b> | <b>錯誤告警及排除問題</b>    | <b>153</b> |
| 6.1      | 錯誤訊息(配置端故障)         | 153        |
| 6.2      | 故障訊息(變流器故障)         | 154        |
| 6.3      | 警告訊息(配置端警告)         | 156        |
| 6.4      | 警告訊息(變流器警告)         | 156        |
| <b>7</b> | <b>技術資料</b>         | <b>157</b> |
|          | 附錄: 組裝說明            | <b>164</b> |

# Figure

|                         |     |
|-------------------------|-----|
| 圖 2-1: 內容物              | 96  |
| 圖 2-2: 外觀               | 97  |
| 圖 2-3: 標籤               | 98  |
| 圖 2-4: 配線箱架構圖           | 99  |
| 圖 3-1: 開箱步驟             | 100 |
| 圖 3-2: 變流器搬運            | 101 |
| 圖 3-3: 正確的安裝位置          | 102 |
| 圖 3-4: 變流器尺寸            | 104 |
| 圖 3-5: 壁掛架尺寸            | 104 |
| 圖 3-6: 壁掛螺絲鎖附位置         | 105 |
| 圖 3-7: 壁掛所需間距           | 106 |
| 圖 3-8: 機台間最低要求距離        | 107 |
| 圖 3-9: 落地支架安裝           | 108 |
| 圖 3-10: 將變流器安裝在地面安裝基座上  | 109 |
| 圖 3-11: 佈線              | 110 |
| 圖 3-12: 內部接地端配線 - 單芯電纜  | 114 |
| 圖 3-13: 內部接地端配線 - 多芯電纜  | 115 |
| 圖 3-14: 設備接地點           | 116 |
| 圖 3-15: M100A_280 交流端配線 | 117 |
| 圖 3-16: M100A_283 交流端配線 | 118 |
| 圖 3-17: 直流接頭支撐架         | 120 |
| 圖 3-18: 直流端子與光伏組串對照圖    | 122 |
| 圖 3-19: 通訊模組            | 123 |
| 圖 3-20: 通訊防水塞蓋規格        | 123 |
| 圖 3-21: 多台併接通訊示意圖       | 125 |
| 圖 3-22: 緊急關斷功能端子座       | 126 |
| 圖 3-23: 乾接點連接位置圖        | 127 |
| 圖 4-1: 直流開關             | 128 |
| 圖 4-2: 顯示面板             | 129 |
| 圖 4-3: 初始設定(藍牙) 步驟1-3   | 130 |
| 圖 4-4: 初始設定(藍牙) 步驟4-7   | 131 |
| 圖 4-5: DSS連接            | 132 |
| 圖 4-6: 變流器掃描            | 133 |
| 圖 4-7: ID設定             | 134 |
| 圖 4-8: 國別設定             | 135 |
| 圖 4-9: 時間同步設定           | 135 |



圖 5-1: 開啟與關閉前蓋 . . . . . 138

圖 5-2: 利用扳手將前蓋進行固定 . . . . . 138

圖 5-3: 拆除前蓋 . . . . . 139

圖 5-4: 資安封條黏貼 . . . . . 139

圖 5-5: 雷擊保護裝置 . . . . . 140

圖 5-6: 取下防護蓋 . . . . . 141

圖 5-7: 移除螺絲與排線 . . . . . 142

圖 5-8: 取下防護蓋 . . . . . 143

圖 5-9: 移除螺絲與排線 . . . . . 144

圖 5-10: DSS錯誤代碼對應之風扇位置 . . . . . 146

圖 5-11: 風扇架拆卸示意圖 . . . . . 147

圖 5-12: 內部風扇1 位置與拆裝示意圖 . . . . . 148

圖 5-13: 取下內部風扇1示意圖 . . . . . 149

圖 5-14: 更換風扇示意圖 . . . . . 149

圖 5-15: 內部風扇2 位置與拆裝示意圖 . . . . . 150

圖 5-16: 取下內部風扇2示意圖 . . . . . 151

圖 5-17: 更換風扇示意圖 . . . . . 151

圖 7-1: 效率曲線圖 . . . . . 159

圖 7-2: 環溫對應降額曲線圖(400 Vac) . . . . . 160

圖 7-3: 環溫對應降額曲線圖(380 Vac) . . . . . 160

圖 7-4: 環溫對應降額曲線圖(480 Vac) . . . . . 161

圖 7-5: 環境溫度對應輸出能力降額曲線(380 Vac) . . . . . 161

圖 7-6: 環境溫度對應輸出能力降額曲線(400 Vac) . . . . . 162

圖 7-7: 環境溫度對應輸出能力降額曲線(480 Vac) . . . . . 163

# Table

|                         |     |
|-------------------------|-----|
| 表 2-1: 內容清單             | 96  |
| 表 2-2: 外觀介紹             | 97  |
| 表 2-3: 標籤內容描述           | 98  |
| 表 2-4: 配線箱架構圖內容描述       | 99  |
| 表 3-1: 交流斷路器建議規格        | 113 |
| 表 3-2: 多芯與單線電纜建議規格      | 113 |
| 表 3-3: 接地電纜建議規格         | 113 |
| 表 3-4: 接地電纜接頭規格         | 114 |
| 表 3-5: M100_280交流電纜接頭規格 | 115 |
| 表 3-6: M100_283交流電纜接頭規格 | 118 |
| 表 3-7: RS-485 端子座說明     | 124 |
| 表 3-8: 終端電阻設定說明         | 125 |
| 表 3-9: 數位輸入與EPO功能說明     | 126 |
| 表 4-1: LED 指示燈          | 128 |
| 表 6-1A: 錯誤訊息(配置端故障)     | 153 |
| 表 6-2A: 故障訊息(變流器故障)     | 154 |
| 表 6-2B: 故障訊息(變流器故障)     | 155 |
| 表 6-2C: 故障訊息(變流器故障)     | 156 |
| 表 6-3A: 警告訊息(配置端警告)     | 156 |
| 表 6-4A: 警告訊息(變流器警告)     | 156 |
| 表 7-1A: 規格              | 157 |
| 表 7-1B: 規格              | 158 |
| 附錄-1: 組裝說明-1            | 164 |
| 附錄-2: 組裝說明-2            | 165 |
| 附錄-3: 組裝說明-3            | 166 |

# 1 安全規範

## 1.1 變流器資料

### 1.1.1 免責聲明

著作權~ DELTA ELECTRONICS, INC. - All rights reserved.

本說明書及產品供終端使用者使用。技術資料及內圖文皆為機密資料且不經 DELTA ELECTRONICS, INC. 許可，禁止複製翻印。

維修工程師及終端使用者禁止洩漏內涵之訊息及除以正確使用本產品以外的目的使用本說明書。所有資訊若有變更，不另外通知。

DELTA ELECTRONICS, INC. 針對以下情形造成的損害將不負任何責任及義務：

- ( a ) 產品沒有恰當的安裝或維修
- ( b ) 產品未依照說明書正確使用
- ( c ) 產品於拆裝過程受損

### 1.1.2 適用對象

本說明書適用於針對安裝、試運行、實際操作、後續維護受過良好訓練的人以下基礎及進階技巧為必需的。

- 了解基礎電力、配線、電子元件及電子電路符號
- 了解太陽能變流器如何運行及操作
- 針對電子產品的安裝及試運行受過訓練
- 針對安裝及使用電子產品的過程中會遇到的危險及風險受過訓練
- 遵守本說明書及所有安全規範

開始接觸此產品前，請詳閱本說明書。

## 1.2 安全概述

### 重要安全指示：保存所有指示！



- 請詳閱所有指示及保存供後續使用。

為了避免人員受傷或其他損失及確保變流器長期運轉，在使用此產品前請務必詳閱所有安全指示。

本說明書針對DELTA併網型無變壓器太陽能變流器提供重要指示。本產品進行設計、測試、驗證且經國際安全規範認證，安裝及使用本產品前仍須做好防範措施。本產品適用於室內及戶外。

### 注意：無電氣隔離



- 本產品無附加變壓器，為非電氣隔離型。  
請勿使用需接地(正極或負極)之太陽能板。
- L1, L2, L3,及 N 禁止連接至地。

### 1.2.1 使用條件

- M100A\_280/283 為 8 MPP追蹤、非隔離型太陽能變流器，以高效率方式將太陽能模組串列能量轉換成三相交流電流並饋入市電。
- 為確保變流器高效能運作，太陽能模組與其組串列需與變流器匹配(請參閱章節3.5直流配線安裝)
- 太陽能模組串列之對地等效總電容值不可超過 10 $\mu$ F。
- 工業環境使用
- 本產品僅可在經DELTA及市電業者許可之國家運行。

## 1.2.2 標誌

本節說明本說明書會出現的標誌定義，為了避免人員受傷或其他損失及確保變流器長期運轉，在使用此產品前請務必詳閱所有安全指示並遵守。

### 危險！



- 此警語表示可能發生致死或嚴重傷亡的情形。

### 警告！



- 此警語表示可能發生致死或嚴重傷亡的情形。

### 注意！



- 此警語表示可能發生較輕微傷害的情形。

### 注意



- 此警語表示可能對資產或環境造成傷害。

### 資訊



- 進一步的資訊會經由雙圈驚嘆號指示。  
這代表接續的內容將含有使用者該遵守的重要資訊以免造成任何傷害。

### 危險：觸電!!



- 此警語表示可能會有造成嚴重傷亡的觸電可能。

### 注意：表面高溫，請勿觸碰！



- 此警語表示當變流器運行時機體表面高溫，  
待表面溫度下降後在進行需接觸的工作。



- 等待圖示中所顯示的時間後再進行工作



- 設備接地導體

## 2 產品介紹

M100A\_280/283 以最先進之高頻切換及低EMI技術設計而成，同時具有高效率及高壽命的特點，亦適用於戶外。

### 注意：無電氣隔離



- 本產品內部無附加隔離變壓器，為非電器隔離型。  
請勿使用需接地(正極或負極)之太陽能板。  
若使用了，則本產品會以INSULATION (E34) 告警。
- L1, L2, L3,及 N禁止連接至地。

### 注意：適用於工業環境



- 本產品符合IEC 62920 : 2017 Class A規範，其電磁干擾保護能力適用於工業應用情況。
- 本產品會產生符合工業環境規範內之射頻輻射，請遵循說明書指示安裝與使用。
- 於家用環境使用本產品可能造成電磁干擾危害。

### 2.1 適用機種

本說明書適用以下機種:

- M100A\_280
- M100A\_283

安裝、運行及維護過程皆必須遵守本說明書。

DELTA保留在不另行告知的前提下修改內容及技術資料的權力。

## 2.2 產品概述

內容物如圖2-1所示。

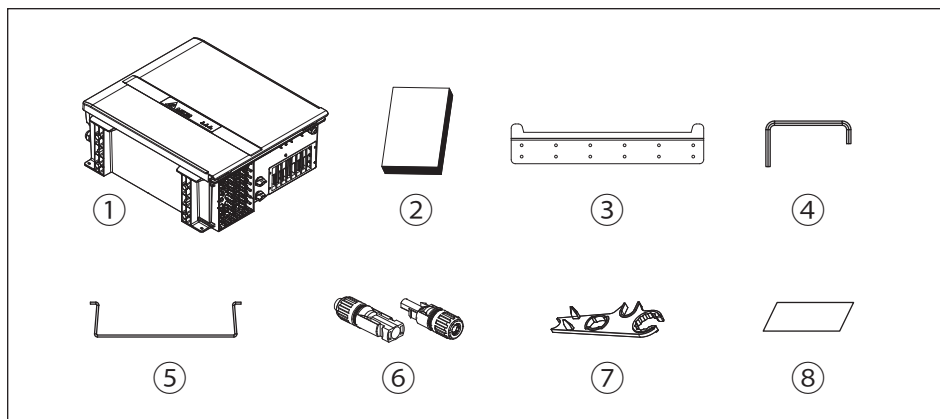


圖2-1：內容物

表2-1：內容清單

| M100A_280 / 283 |                     |     |                             |
|-----------------|---------------------|-----|-----------------------------|
|                 | 物件                  | 數量  | 描述                          |
| 1               | DELTA太陽能變流器         | 1   | 太陽能變流器                      |
| 2               | 說明書                 | 1   | 安裝及維運過程中務必參考本說明書中的安全指示      |
| 3               | 壁掛架                 | 1   | 將變流器掛起之壁掛架 (材質: 鋁, 厚度: 3mm) |
| 4               | 六角板手<br>(已安裝於鎖扣外蓋上) | 1   | 固定前蓋用門門與卸除鎖扣外蓋螺絲工具          |
| 5               | 保護架                 | 6   | 直流組串接頭保護架                   |
| 6               | H4端子                | 16對 | 直流組串輸入接頭                    |
| 7               | H4板手                | 2   | H4接頭拆除工具                    |
| 8               | 資安封條                | 3   | 用於資安檢測的一次性貼紙                |



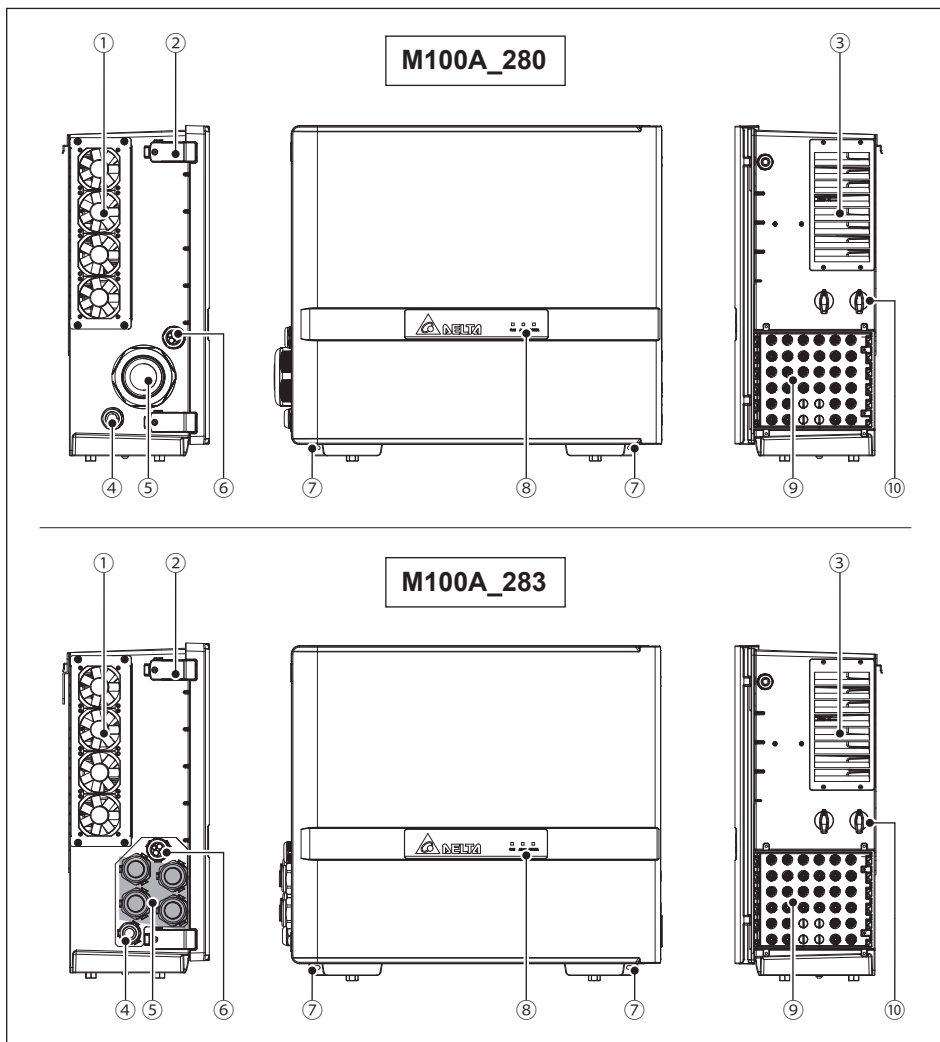


圖 2-2 : 外觀

表2-2 : 外觀介紹

| NO. | 部件      | NO. | 部件      | NO. | 部件         |
|-----|---------|-----|---------|-----|------------|
| 1   | 外部風扇    | 2   | 鎖扣      | 3   | 外部風扇出風口    |
| 4   | 內部接地進線孔 | 5   | 交流輸出    | 6   | RS-485進線孔  |
| 7   | 外部接地    | 8   | LED 指示燈 | 9   | 16組 H4直流輸入 |
| 10  | 直流開關    |     |         |     |            |

圖2-3為產品標籤並配合表2-3針對特殊符號做解釋。

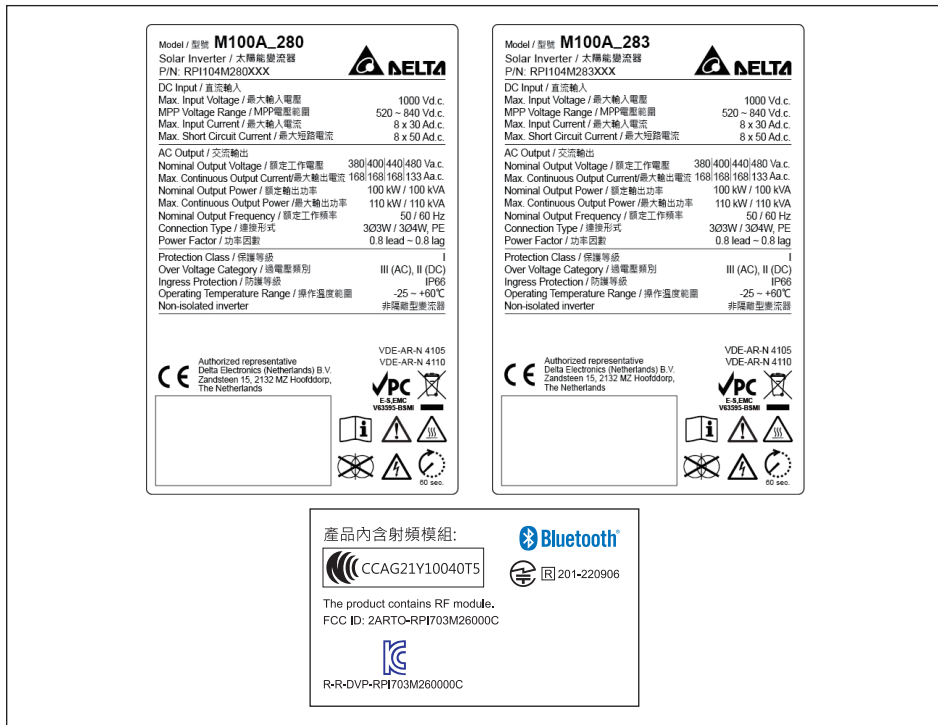


圖2-3：標籤

表2-3：標籤內容描述

| 符號                | 定義  |
|-------------------|---|
| <p>60 seconds</p> | <p><b>嚴重觸電危險</b><br/>變流器運行時會有致命高電壓存在，切斷後危險電壓存在約60秒，時間內請勿接觸變流器。<br/>本產品不含任何需要開啟機殼之元件。擅自開啟機殼會使保固失效。</p> |
|                   | <p>此變流器本身沒有經由變壓器與市電端分離。</p>   |
|                   | <p>使用此變流器前，請詳閱說明書。</p>  |
|                   | <p>若當地規範要求，機體外殼請務必下地。</p>   |
|                   | <p><b>WEEE marking</b><br/>本變流器須以標準家用廢棄物報廢，並同時遵守當地針對電器報廢的相關規範。</p>                                    |
|                   | <p>本機已通過並完成藍牙資格和認證申報。</p>   |

圖2-4為配線箱的架構圖，詳細描述可參照表2-4。

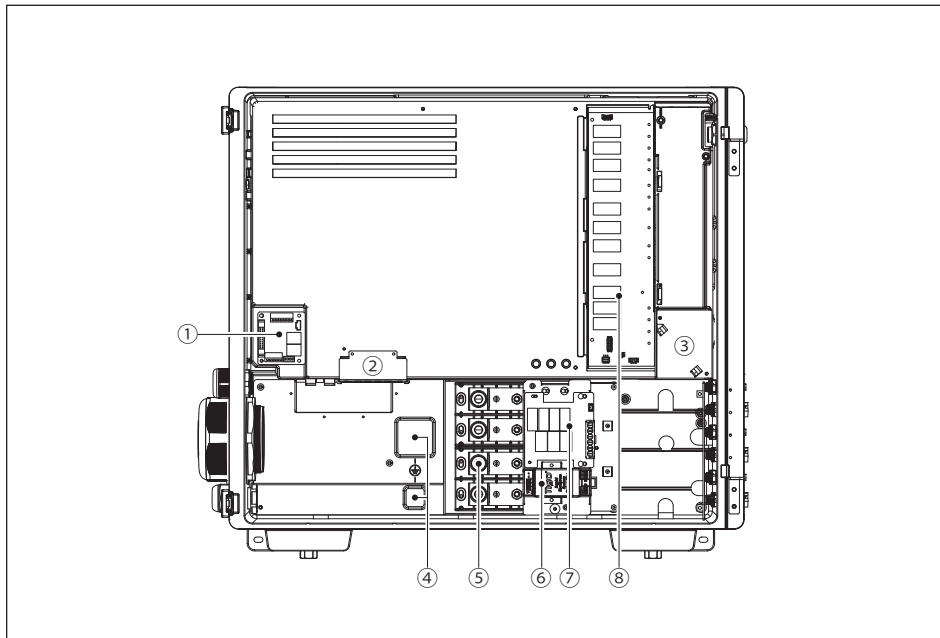


圖2-4：配線箱架構圖

表2-4：配線箱架構圖內容描述

| NO. | 部件       | NO. | 部件       | NO. | 部件     |
|-----|----------|-----|----------|-----|--------|
| 1   | 通訊模組     | 2   | 內部風扇 2   | 3   | 內部風扇 1 |
| 4   | 內部接地     | 5   | AC 端子    | 6   | 快速關斷系統 |
| 7   | 交流雷擊保護裝置 | 8   | 直流雷擊保護裝置 |     |        |

## 3 安裝

本章節包含以下指示

1.機構安裝 2.電氣安裝 3.通訊安裝

### 3.1 拆箱與檢視

請依照圖 3-1所示拆封外箱包裝。

建議兩人以上進行作業(圖 3-2)。

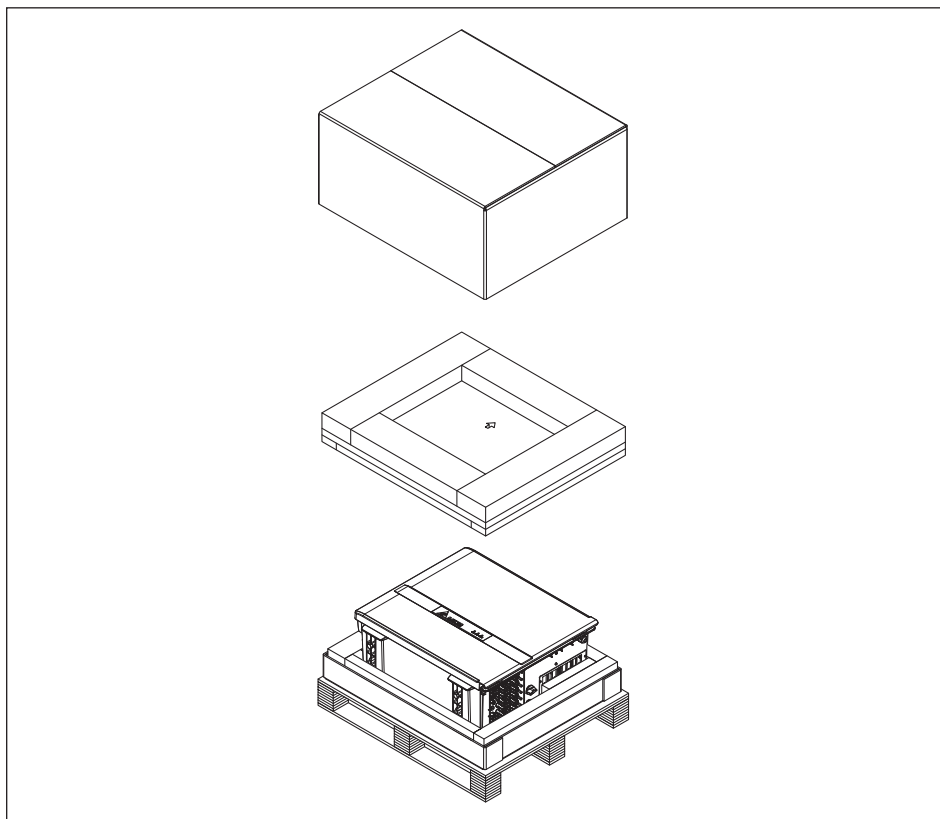


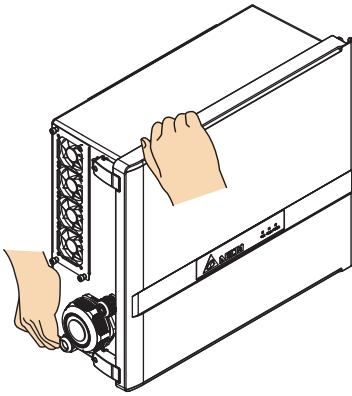
圖 3-1: 開箱步驟

#### 注意！



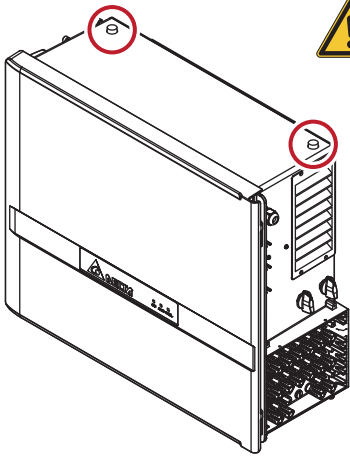
- 針對站立式安裝，建議腳架於開箱步驟時進行安裝，請參考3.2.2章節。
- 建議兩人以上進行扶正作業。

人力搬運

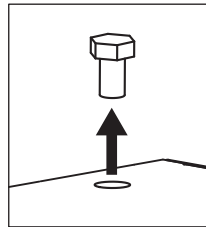


搬動時，請勿施加外力於風扇、電纜接頭、直流開關及直流端子。

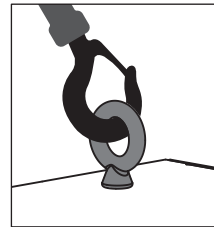
吊掛搬運



吊掛作業完成後，請將螺絲鎖回機殼上，以防止水或髒汙等侵入。



螺絲 (4 N·m)



吊環 (42 N·m)  
(M12 x P1.75, L ≤ 20 mm)

圖 3-2: 變流器搬運

## 3.2 機構安裝

M100A\_280/283僅支援垂直安裝，傾斜誤差允許範圍如圖3-3所示。

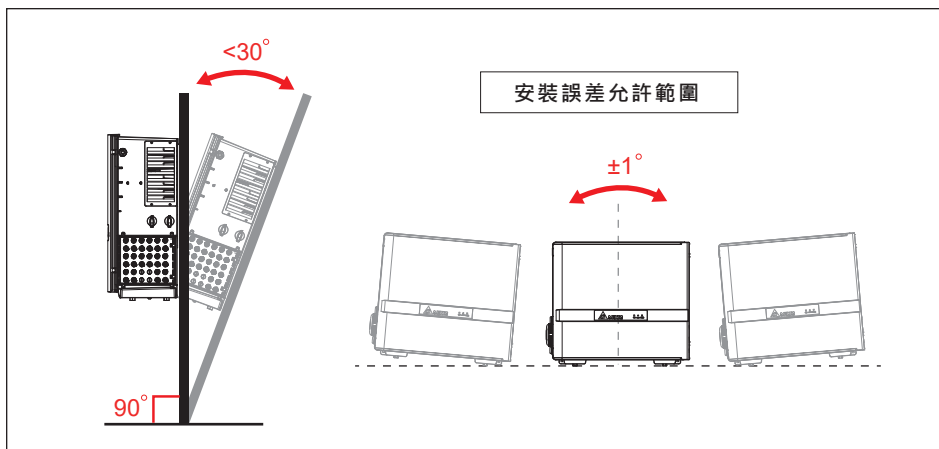


圖 3-3: 正確的安裝位置

### 警告！

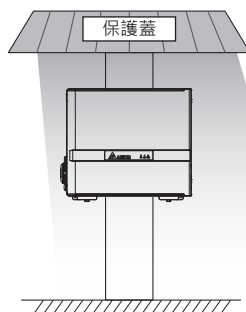


- 請勿將本產品安裝在易燃表面附近。
- 請將本產品安裝於堅固且平順之表面。

### 注意！



為避免由於極端氣候(大雪, 冰雹...等)或不恰當的安裝/維運所導致的變流器故障, 台達強烈建議安裝額外的保護蓋。詳細細節請洽當地服務團隊。



**注意！**

- 本產品支援無線通訊方式。
- 確保產品安裝位置遠離發射強無線電波的設備（例如民用頻段無線電設備）。
- 避免將產品安裝在金屬箱內，並確保產品與連接設備之間沒有金屬阻擋物，以防止通訊訊號衰減。
- 使用藍牙功能連接設備時，請確保設備前方 1.5 m 範圍內進行操作，以獲得最佳通訊品質。

### 3.2.1 壁掛式安裝

請參考圖3-4至3-8說明

1. 請先確定產品安裝牆面為足以承載產品重量。
2. 水平固定壁掛架(垂直於地板)，壁掛架尺寸如圖3-5所示。
3. 鎖附12枚M6十字螺絲於壁掛架上。(圖3-6)
4. 將產品放置於壁掛架上。
5. 以兩枚M8螺絲，透過圖3-6所示之外部接地點鎖附變流器於牆面。

**注意！**

- 至少使用8枚M6螺絲將壁掛架固定牆上。
- 該壁掛架為本產品專用，請勿使用其他壁掛架來搭配本產品使用。
- 未遵守以下安裝說明中的方向和間隙可能導致降額功率輸出並可能使保固失效。

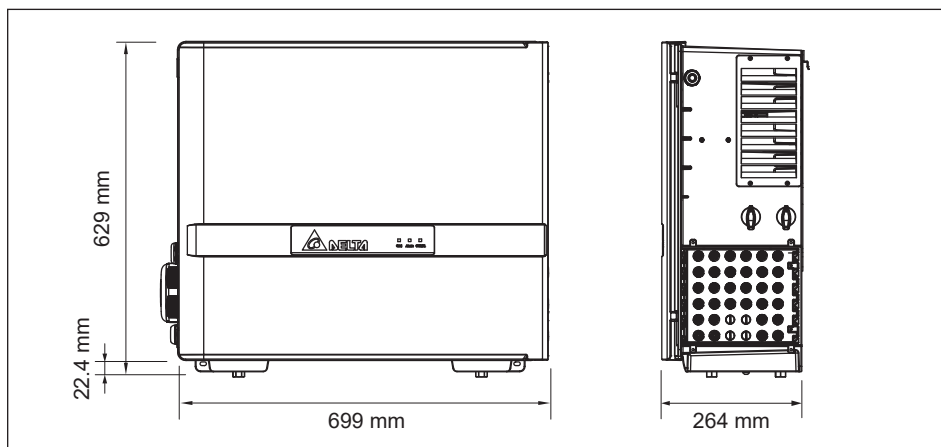


圖 3-4: 變流器尺寸

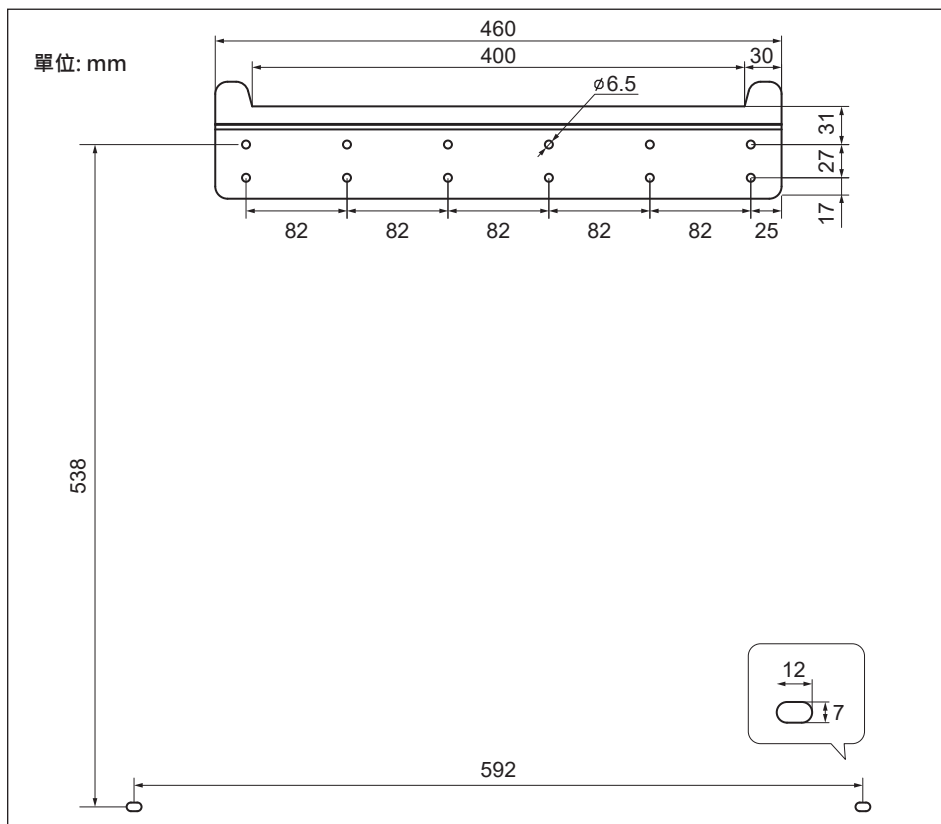


圖 3-5: 壁掛架尺寸



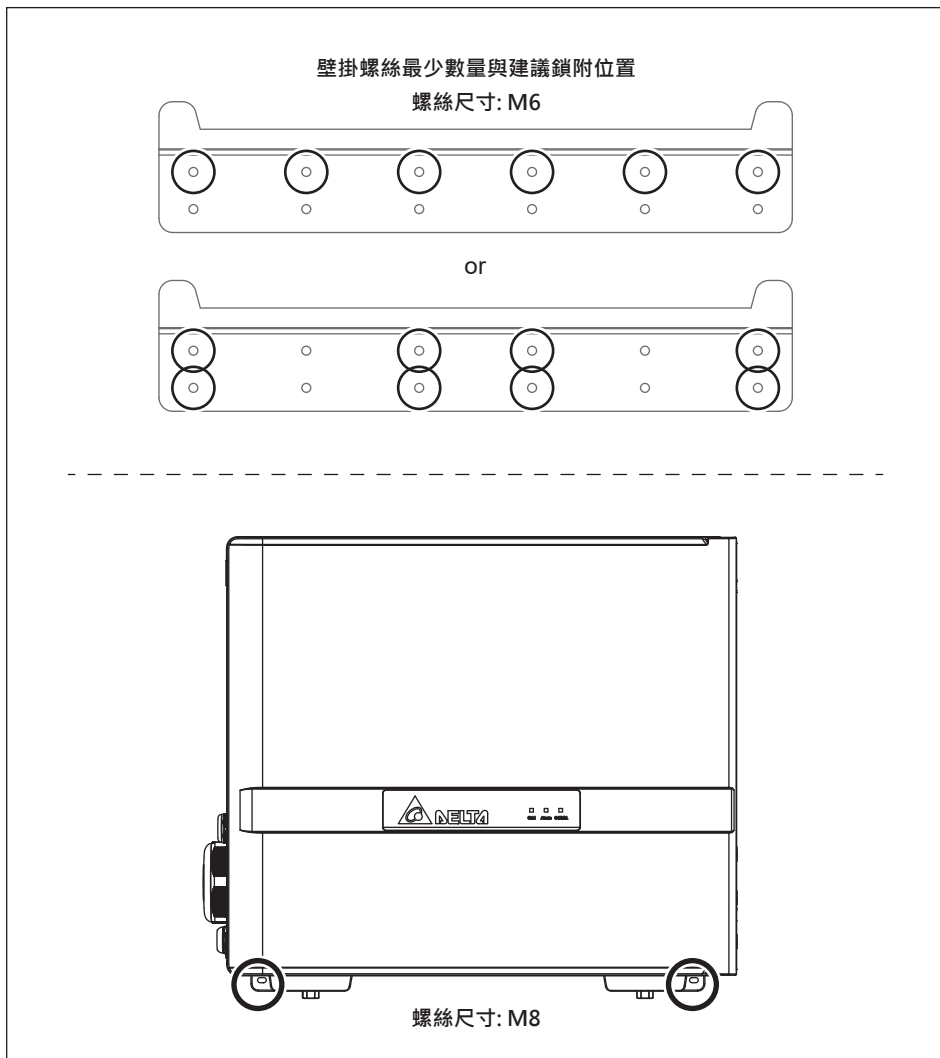


圖 3-6：壁掛螺絲鎖附位置

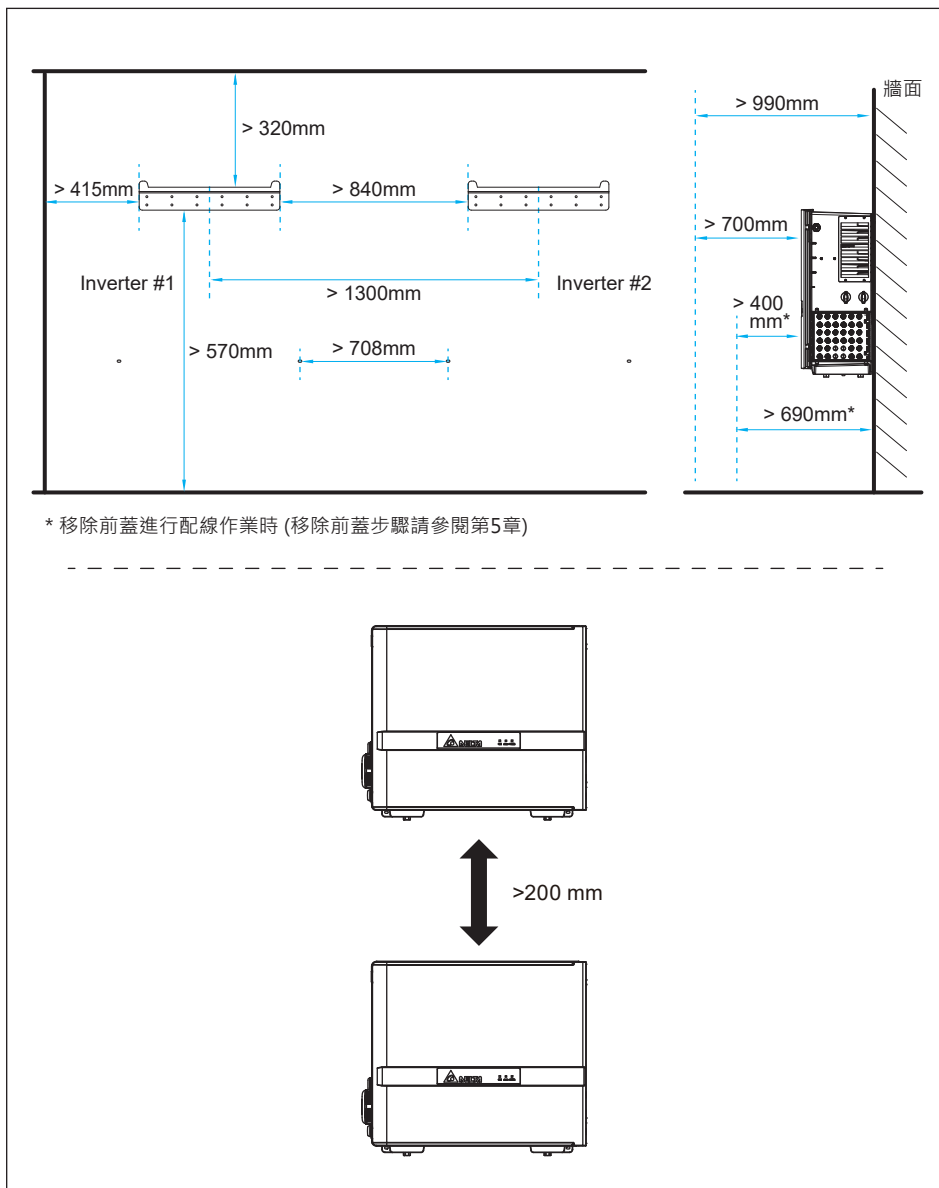
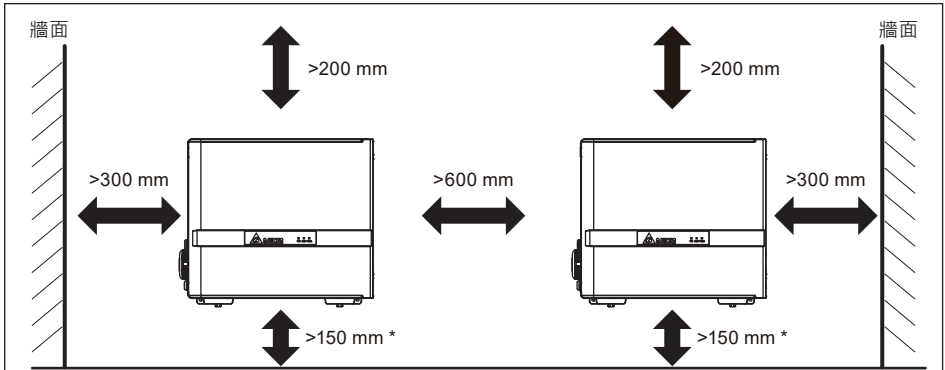
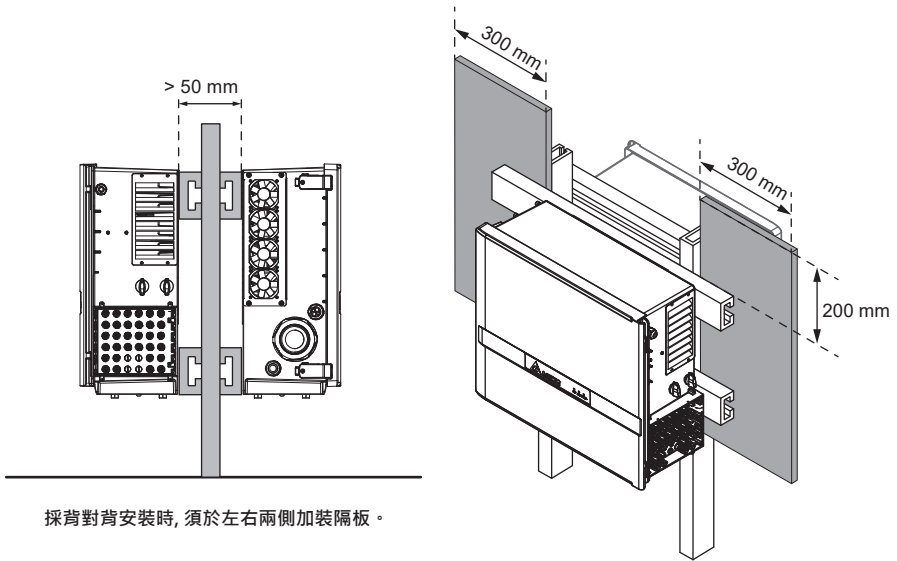


圖 3-7: 壁掛所需間距



\* 如果安裝位置有浸水風險或處於積雪區域，請提高變流器的安裝高度。



採背對背安裝時，須於左右兩側加裝隔板。

圖 3-8: 機台間最低要求距離

## 3.2.2 落地式安裝 (選配)

### 注意



- 請確保安裝基座足以承載變流器重量。

落地支架為選配套件，請聯繫客服中心取得詳細資訊。

1. 將落地支架安裝於變流器腳座上，如圖3-9所示
2. 以4顆膨脹螺絲安裝落地支架於地面基座上，如圖3-10所示

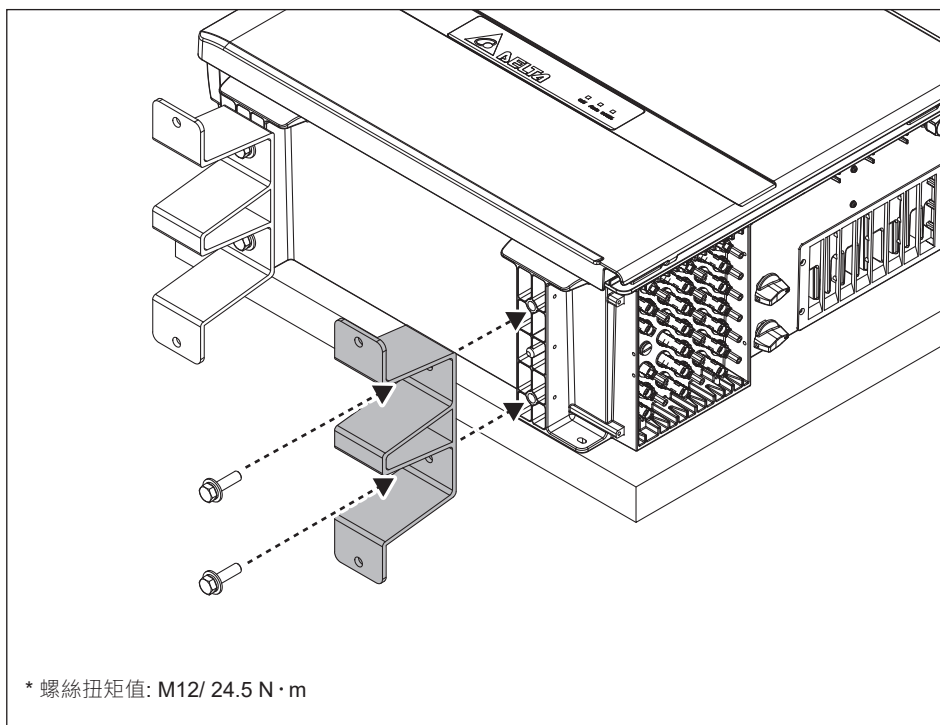


圖 3-9: 落地支架安裝

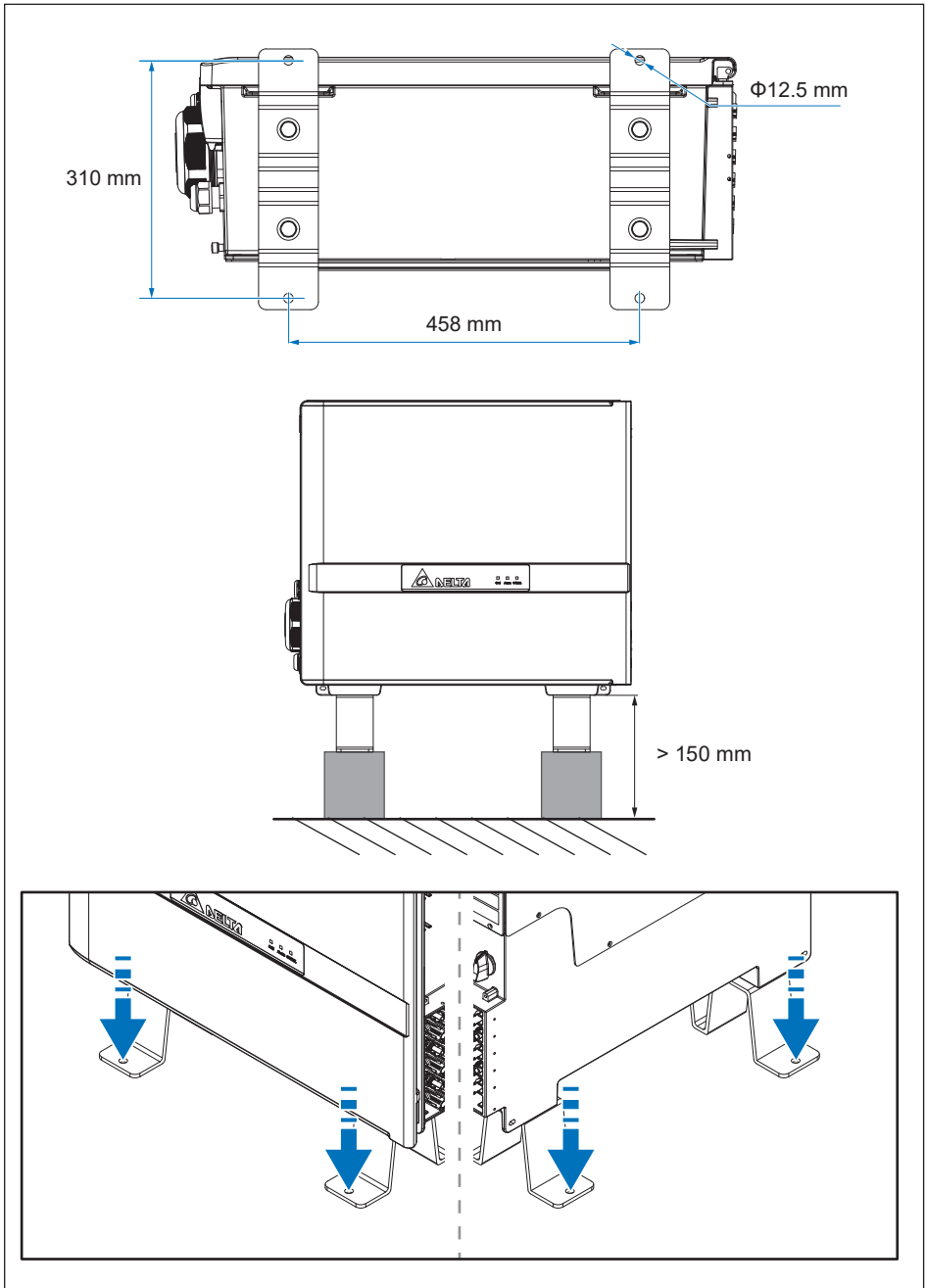


圖 3-10: 將變流器安裝在地面安裝基座上

### 3.3 佈線

請依循以下原則進行佈線，以避免雨水流入電纜密封套，可確保變流器長時間運行之防水能力。

1. 距電纜密封套 10-20 cm 之電纜應維持水平佈線
2. 以固定座或導線槽固定支撐導線使其與變流器之間水平無歪斜
3. 固定前之導線以下凹形式產生雨水截流

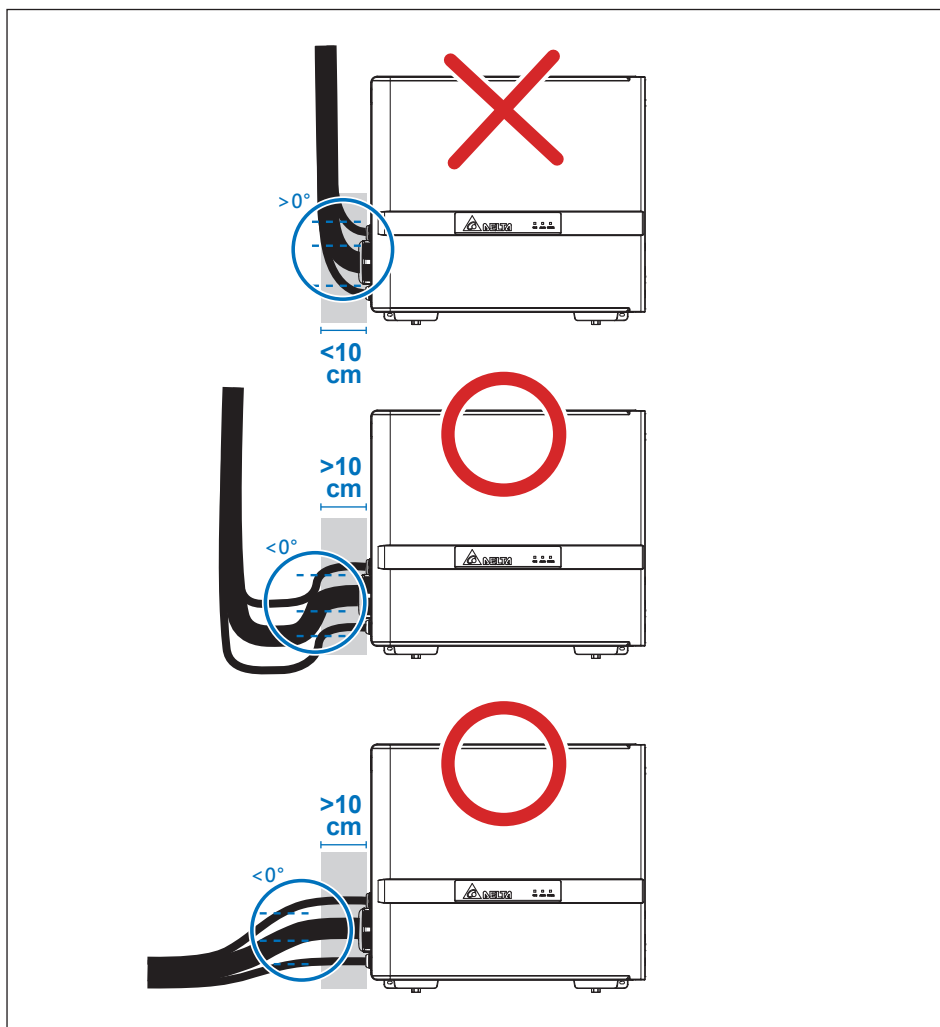


圖 3-11: 佈線

## 3.4 交流配線安裝

### 危險：觸電危險!!



- 配線時禁止供給變流器任何電源，以避免觸電。
- 在沒有任何雨遮的情況下，請勿在雨天時進行配線或維護作業。

### 警告！



- 遵守條文為安裝者的責任。
- 直流電壓超過1000V則保固失效。

### 注意！



- AC端子安裝須遵守當地電氣法規。
- 不遵守指示可能會損壞交流線材。
- 為了不損壞變流器中的組件，請確保將正確的線材連接到變流器上相應的交流端子。

### 注意

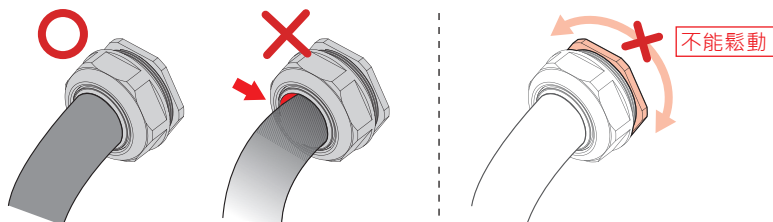


- 開啟或關閉前蓋時，請務必遵循5.1章節步驟。
- 配線作業完成後，請立即關上前蓋並確實扣緊鎖扣。

### 注意！



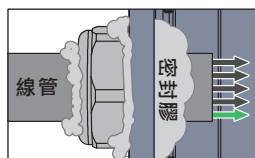
- 防水塞蓋裝配線後不能產生縫隙避免水、灰塵或生物入侵。
- 防水塞蓋應確實鎖緊，不能產生鬆動。



### 注意！



- 請在所有防水塞蓋接合面使用密封膠(防火泥或矽利康等材質)進行密封，避免進水和生物進入變流器。



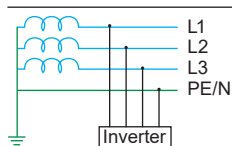
### 3.4.1 AC 形式與連接方式

#### 注意

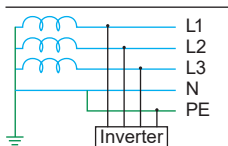


機器初始設定為 3Ø-4W 接線方式，也可變更為 3Ø-3W 不含中性點N的接線方式。變流器可工作於下述電力系統連接方式無須額外配接外部變壓器。

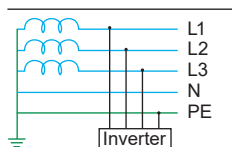
**TN-C**



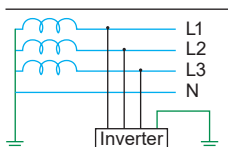
**TN-C-S**



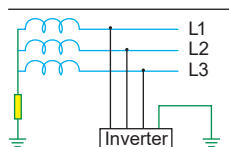
**TN-S**



**TT**



**IT \***



\* 確保IT系統中從L1、L2、L3與PE（保護地）間之跨壓必需低於±600V之範圍內。

### 3.4.2 必要保護裝置

建議於交流端安裝過電流保護裝置，安裝三相交流斷路器可以保護變流器的交流線路，並且可以安全地進行系統維護。交流斷路器最低要求如下表。

表 3-1：交流斷路器建議規格

|      |   |
|------|---|
| 額定電流 | min. 200A                                   |
| 額定電壓 | min. 380V / 400V / 480V<br>(須符合該區域電力系統裝配要求) |
| 極數   | 3 / 4                                       |



### 3.4.3 交流線材準備

- 請使用符合當地電力系統裝配要求之銅或鋁導體之線材
- 可使用絞線和實心線。當使用平波花線時，則需壓接端子
- 如使用壓接端子，需確保壓接端子與導體為相同材料基底，以避免不同材料間電位腐蝕之風險。

表 3-2：多芯與單線電纜建議規格

| 型號        | 電纜類型 | 導線截面積範圍   | 電纜容許總直徑       |
|-----------|------|---|---------------|
| M100A_280 | 多芯電纜 | 3 x 120 mm <sup>2</sup> - 3 x 240 mm <sup>2</sup><br>4 x 95 mm <sup>2</sup> - 4 x 240 mm <sup>2</sup><br>5 x 70 mm <sup>2</sup> - 5 x 120 mm <sup>2</sup> | 42 mm - 75 mm |
| M100A_283 | 單線電纜 | 70 mm <sup>2</sup> - 240 mm <sup>2</sup>  | 12 mm - 27 mm |

### 3.4.4 接地線材準備

變流器必須通過內部或外部接地點接地，接地線材應符合以下要求。

- 導體的橫截面必須為交流線材橫截面的 $\frac{1}{2}$ 以上
- 請遵循下表使用正確之端子進行連接

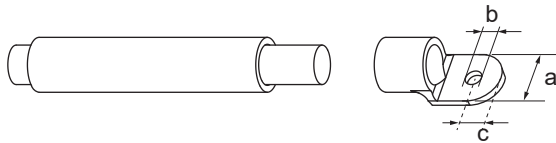


表 3-3：接地電纜建議規格

|          | 內部接地 - 多芯電纜<br>(M100A_280)                              | 內部接地 - 單芯電纜<br>(M100A_280/M100A_283)                  | 外部接地  |
|----------|---|---|---|
| 最大導體截面積  | 240 mm <sup>2</sup>                                     | 150 mm <sup>2</sup>                                   | 150 mm <sup>2</sup>                                   |
| 線材外徑容許範圍 | -   | 10.0 - 23.0 mm  | -   |
| 端子尺寸要求   | 螺絲尺寸 = M10<br>a < 40.0 mm<br>b ≥ 11.0 mm<br>c < 22.0 mm | 螺絲尺寸 = M8<br>a < 24.0 mm<br>b ≥ 8.4 mm<br>c < 12.5 mm | 螺絲尺寸 = M8<br>a < 24.0 mm<br>b ≥ 8.4 mm<br>c < 12.5 mm |

### 3.4.5 接地線安裝

#### 注意！



- 變流器之接地可以保護人員避免受到電擊，建議優先進行接地線之安裝。

變流器提供內部與外部接地線安裝位置。接地線需依照當地系統安全規範安裝於內部、外部或兩者。接地線電纜之規格與端子尺寸應正確使用，請參閱3.4.4。

#### 內部接地點

如選用單線接地線電纜，需確認選用電纜規格符合3.4.4所述。安裝方式如下：

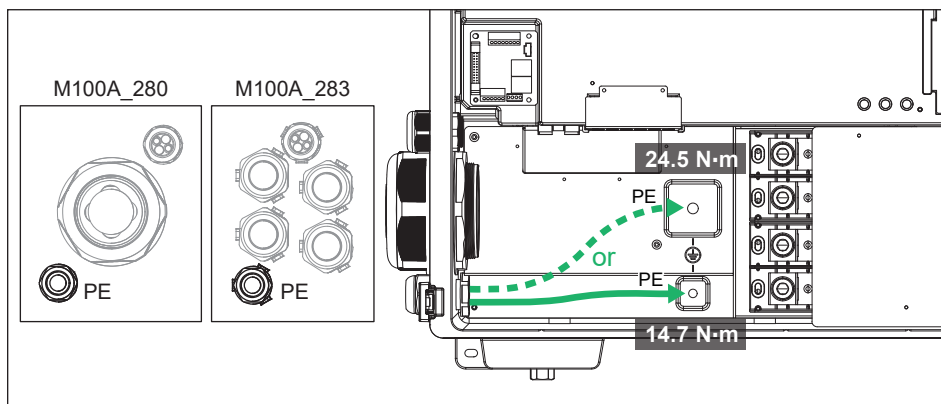


圖 3-12：內部接地端配線 - 單芯電纜

- 請依下表選用適合接地電纜直徑之防水接頭內部橡膠，將電纜穿過內部橡膠並接入變流器內部

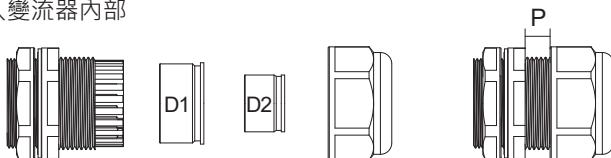


表 3-4：接地電纜接頭規格

|    | Cable diameter range | Torque      | Dimension of P |
|----|----------------------|-------------|----------------|
| D1 | 16.0 - 23.0 mm       | 3.5-5.2 N·m | 1.5-5.0 mm     |
| D2 | 10.0 -16.0 mm        | 3.5 N·m     | 1.5-5.0 mm     |

- 使用M8扳手以14.7 N·m的扭矩鎖緊螺母。
- 鎖緊防水接頭外環確保線材與橡膠緊固達防水密封之要求。

如M100A\_280接地線配置於多芯電纜內(有黃綠相間絕緣外皮之導體)·需確認選用之端子尺寸符合3.4.4內要求。

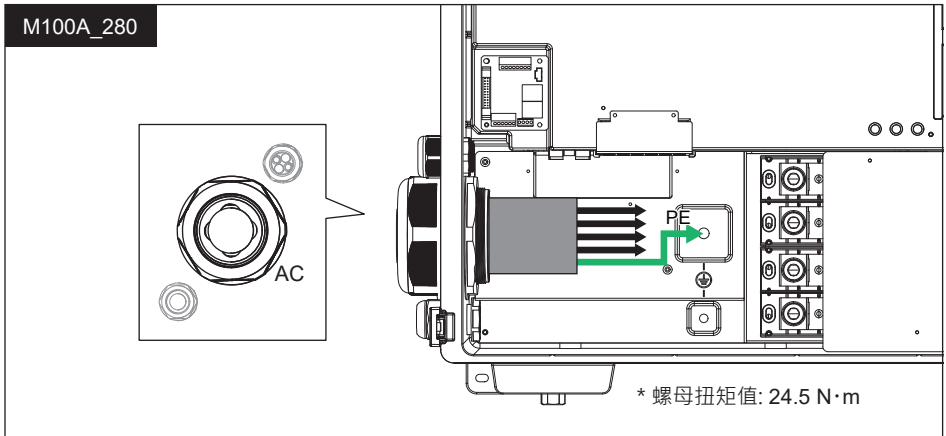


圖 3-13 : 內部接地端配線 - 多芯電纜

如M100A\_280接地線配置於多芯電纜內·其安裝方式如下:

- (1) 請依下表選用適合接地電纜直徑之防水接頭內部橡膠·將電纜穿過內部橡膠並接入變流器內部

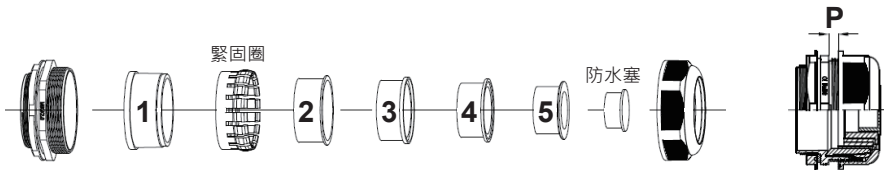


表 3-5 : M100A\_280交流電纜接頭規格

|   | Cable diameter range | Torque      | Dimension of P |
|---|----------------------|-------------|----------------|
| 1 | 72 - 77 mm           | 10 N·m      | 6.5 - 4.5 mm   |
| 2 | 65 - 72 mm           | 12 N·m      | 6 - 3 mm       |
| 3 | 57 - 65 mm           | 15 N·m      | 5.5 - 2 mm     |
| 4 | 45 - 57 mm           | 15 N·m      | 5.5 - 0 mm     |
| 5 | 33 - 45 mm           | 15 - 20 N·m | 4.5 - 0 mm     |

- (2) 調整多芯電纜可將接地線靠近接地螺絲·將接地線安裝於上接地螺絲處·使用M10板手以24.5 N·m 扭矩鎖緊固定。
- (3) 鎖緊防水接頭外環確保線材與橡膠緊固達防水密封之要求。

### 外部接地點

將接地線壓接O型端子後，以M8螺絲鎖附於機殼外部接地點，機殼外部接地點位置如下圖所示。

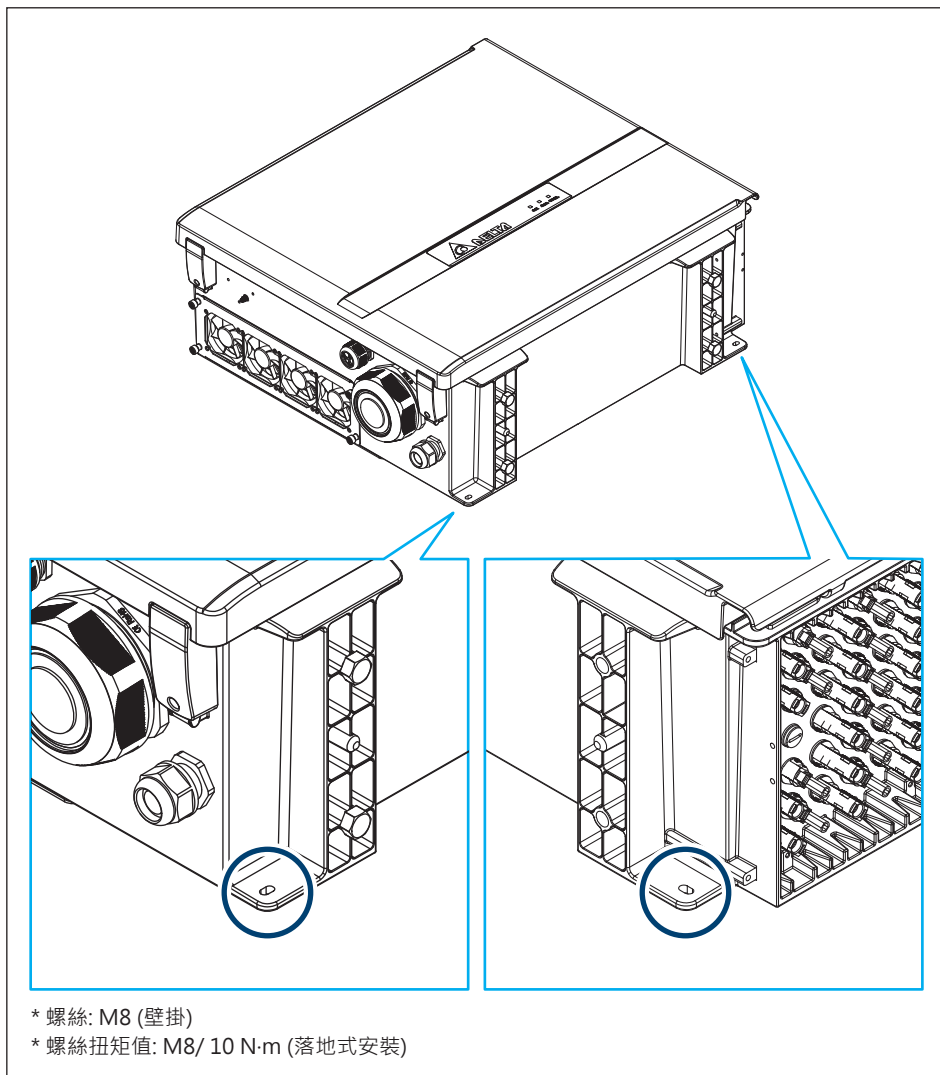


圖 3-14 : 設備接地點

### 3.4.6 M100A\_280 交流配線

危險:觸電危險!!



- 確保交流電源線於安裝過程中沒有電力來源，以避免觸電危險。

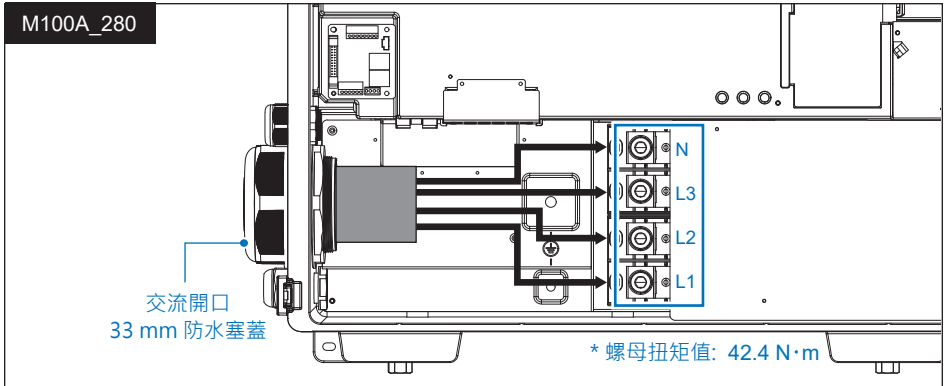


圖 3-15 : M100A\_280 交流端配線

- (1) 確保交流斷路器處於“關閉”狀態。
- (2) 剝去電纜絕緣皮30mm。
- (3) 對於鋁質導線，請去除導體表面的氧化膜並塗上防護油脂。
- (4) 請參考表3-5選用合適外徑之內部橡膠。不合適防水橡膠尺寸無法提供正確之防水效能，有機會導致防水接頭進水造成產品損壞。

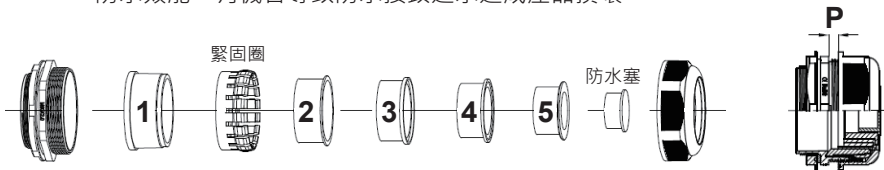


表 3-5 : M100A\_280交流電纜接頭規格

|   | Cable diameter range | Torque      | Dimension of P |
|---|----------------------|-------------|----------------|
| 1 | 72 - 77 mm           | 10 N·m      | 6.5 - 4.5 mm   |
| 2 | 65 - 72 mm           | 12 N·m      | 6 - 3 mm       |
| 3 | 57 - 65 mm           | 15 N·m      | 5.5 - 2 mm     |
| 4 | 45 - 57 mm           | 15 N·m      | 5.5 - 0 mm     |
| 5 | 33 - 45 mm           | 15 - 20 N·m | 4.5 - 0 mm     |

- (5) 以42.4 N-m的扭矩鎖緊所有端子與螺絲。
- (6) 擰緊所有交流電纜密封套以確保密封。

### 3.4.7 M100A\_283 交流配線

危險:觸電危險!!



- 確保交流電源線於安裝過程中沒有電力來源，以避免觸電危險。

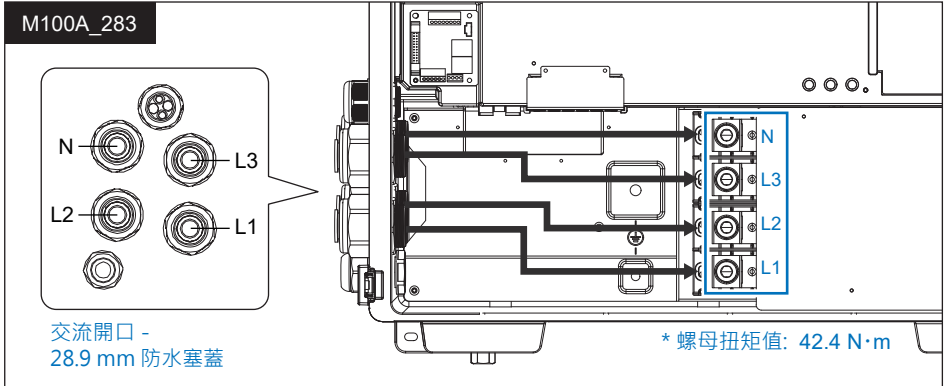


圖 3-16 : M100A\_283 交流端配線

- (1) 確保交流斷路器處於“關閉”狀態。
- (2) 剝去電纜絕緣皮30mm。
- (3) 對於鋁質導線，請去除導體表面的氧化膜並塗上防護油脂。
- (4) 使用適當的內部橡膠將L1·L2·L3或中性線(若需配置)穿過對應的M40電纜密封套。
- (5) 按照標示連接L1·L2·L3和中性線(若需配置)。
- (6) 以42.4 N·m的扭矩鎖緊所有端子與螺絲。
- (7) 擰緊所有交流電纜密封套以確保密封。

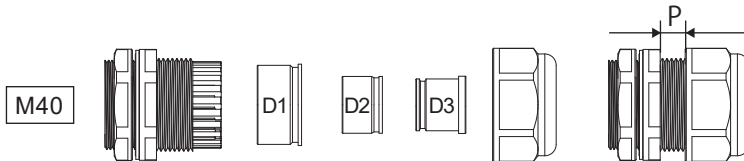


表 3-6 : M100A\_283交流電纜接頭規格

| M40 | Cable diameter range | Torque      | Dimension of P |
|-----|----------------------|-------------|----------------|
| D1  | 21.7-28.9 mm         | 5.5-10 N·m  | 1.0-8.0 mm     |
| D2  | 16.2-21.7 mm         | 6.0 N·m     | 1.0-6.5 mm     |
| D3  | 12.0-16.2 mm         | 4.0-6.5 N·m | 1.0-7.5 mm     |

## 3.5 直流配線安裝

### 危險:觸電危險!!



- 太陽能組串在光線照射下，DC接頭接點處有高電壓大電流觸電風險
- 確保太陽能模組串接過程使用不透光材料覆蓋太陽能模組，避免光線產生電位差造成觸電危害
  - 未完成串接之模組需使用接頭專用防護蓋進行保護
  - 同一組MPPT下各組串的模組數量需相同，以降低模組間環流問題。

### 警告!



- 產品最高容許直流輸入電壓為DC 1100V。請確認太陽能組串在最低環境溫度下，組串開路電壓不會超過DC 1100V。

### 注意



- 產品於每日首次並網運轉前會進行太陽能組串之絕緣電阻確認，如發生絕緣阻抗過低產品將停止運轉直到故障排除。長時間絕緣阻抗不足可能損壞本變流器。
- 請確保太陽能組串絕緣強度足夠。

M100A\_280/283具有8組最大功率追蹤，即使太陽能組串配置上有些微差異之條件下仍能正確運行。

為確保產品最高效能運行，強烈建議組串之配置需符合以下事項:

- (1) 任一組串電壓超過DC 1000V會進行直流過電壓保護而停止運轉，因此太陽能組串之設計應考量現場之最低環境溫度。
- (2) 產品最高容許直流輸入電壓為DC 1100V。請確認太陽能組串在最低環境溫度下，組串開路電壓不會超過DC1100V。超過1100V將導致產品損壞。
- (3) 為確保產品之最高運行效能，每個組串於STC\*條件下之最大功率電壓應維持於DC 660 ~ 800 V 範圍內\*\*。
- (4) 每組最大功率追蹤皆提供兩組直連接頭並聯接入，下表提供直流組串與MPP Tracker對應。請務必確保接入同一MPP Tracker之兩太陽能組串為相同型號且相同串接數量，以避免電壓不同造成轉換效能下降，甚至因電位差異造成逆向電流損壞太陽能組串。

| MPP Tacker | 1   | 2   | 3   | 4   | 5    | 6     | 7     | 8     |
|------------|-----|-----|-----|-----|------|-------|-------|-------|
| PV String  | 1&2 | 3&4 | 5&6 | 7&8 | 9&10 | 11&12 | 13&14 | 15&16 |

\* STC (Standard Test Condition)條件: Irradiance 1000 W/m<sup>2</sup> · Spectrum AM 1.5且太陽能Cell溫度 25°C。請參考欲使用太陽能模組之規格書可獲得相關技術參數。

\*\* 太陽能模組串接數量太多或太少都將影響產品於特定條件下之效能，確認組串設計是否合適請聯繫當地客服團隊。

### 3.5.1 直流線材準備

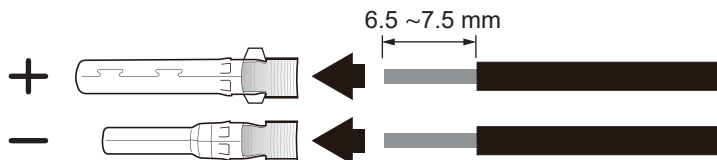
- 配件包中附有16組直直接頭(圖2-1, ⑦)·請依循以下敘述選用壓接接頭與線材
- 請務必使用配件包內之原廠直直接頭。
  - 請選用絕緣耐壓DC 1000 V 以上之導線。
  - 直直接頭適用 $4.0\text{mm}^2 \sim 6.0\text{mm}^2$ 之銅導線。請依所選用太陽能模組之規格要求·選用至少相同或大於線徑規格之線材·以防導線過載造成系統危害。
  - 建議使用Amphenol special tool (H4TC0002)進行壓接。
  - 如有直直接頭數量短缺或其他使用問題·請聯絡當地客服團隊尋求協助。

### 3.5.2 導線壓接與組裝直直接頭

- (1) 正端為公座接頭與socket形式端子·負端為母座接頭與pin形式端子



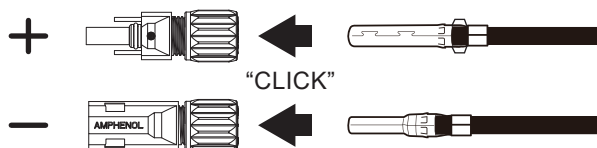
- (2) 小心移除導線絕緣外皮 $6.5 \sim 7.5\text{mm}$ ·避免損傷內部導體  
 (3) 將導體完全放入socket / pin尾端避免導體外露



- (4) 將socket / pin與線材放入Amphenol special tool (H4TC0002)之限位器內進行壓接



- (5) 壓接完成後接入直直接頭公/母座內·正確接入後將不易取出。  
 以 $2.6 \sim 2.9\text{ N-M}$ 緊迫防水蓋達到線材與接頭防水。





### 3.5.3 安裝直流配線

#### 危險:觸電危險!!

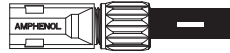
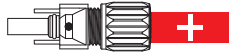


- 進行直流配線前，請務必確認變流器上的兩個直流開關為“OFF”狀態。
- 在沒有任何雨遮的情況下，請勿在雨天時進行配線或維護作業。

#### 注意



- 在安裝直流端子時，請務必確認端子極性是否正確，錯誤的極性，將可能導致設備損壞。



- (1) 確認變流器上兩直流開關皆為“OFF”狀態，並進行防護措施確保配線過程中不會被誤操作之可能性。配線期間誤開起直流開關可能導致直流接頭或變流器之損壞，甚至有機會造成裝配人員感電之風險。
- (2) 安裝直流接頭保護支撐架。

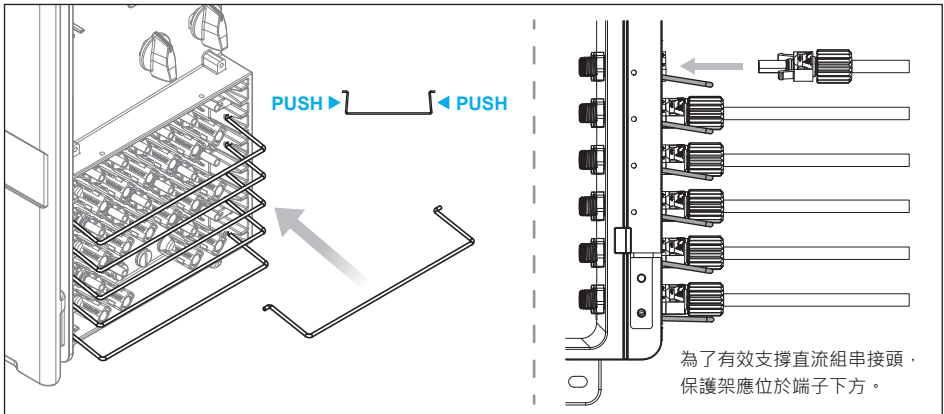


圖 3-17：直流接頭支撐架

- (3) 依照圖3-18依序將太陽能組串接於變流器上。務必確認同一最大功率追蹤之兩組串必須相同規格與相同串接數量。
- (4) 如有未使用之接口必須安裝防護塞進行電氣與防污染保護。
- (5) 確認直流配線都完成後，才可將兩直流開關轉至“ON”狀態。

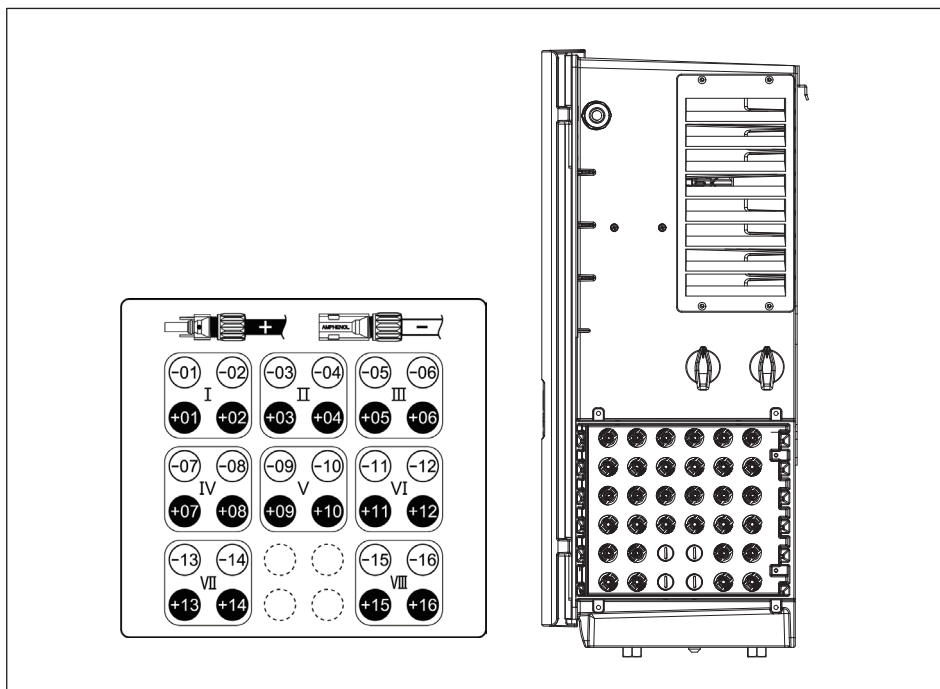


圖 3-18：直流端子與光伏組串對照圖

### 注意！

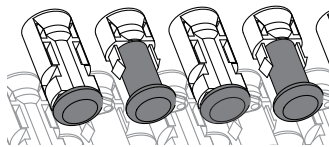


- 如遇到直流配線需調整，請務必確保直流開關皆為“OFF”，並確認變流器為完全停機斷電狀態，方可進行調整。
- 直流配線可能因太陽能組串上仍有電位差，有人員感電風險，務必確保直流配線調整過程中人員安全防護符合當地安全作業規定。

### 注意



- 請勿拆除未使用的直流端防水塞，以避免水或異物侵入。



## 3.6 通訊模組

通訊模組位置及外觀如下圖所示。

該模組提供一組12V電壓源VCC、RS-485、乾接點、EPO和數位輸入端子供功率控制使用；詳細說明如下。

使用VCC 與GND輸出腳位，可提供一12VDC電源，可供外部裝置使用。

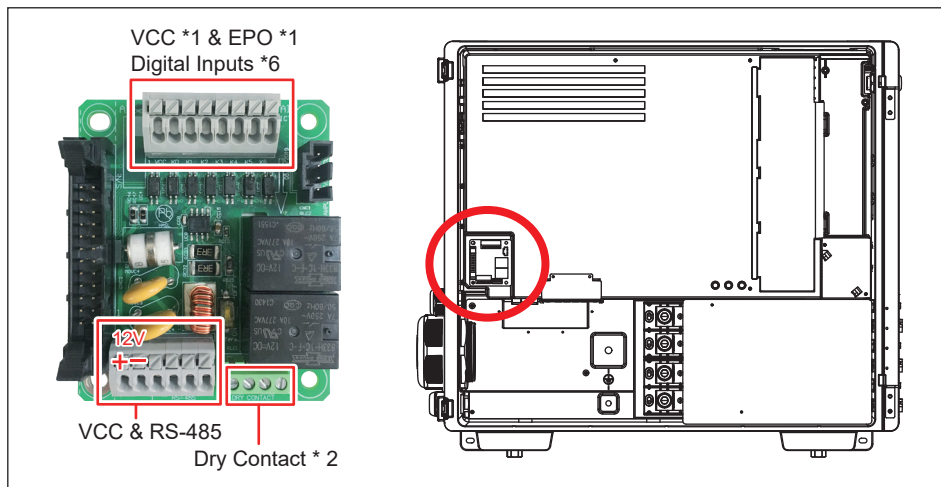


圖3-19：通訊模組

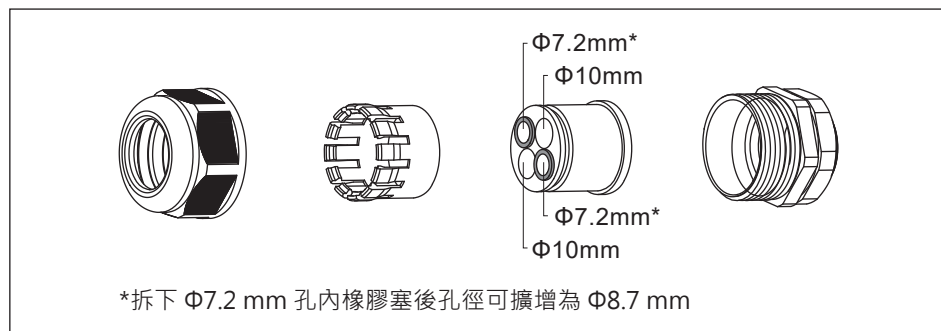


圖 3-20：通訊防水塞蓋規格

### 注意



本機已通過標準檢驗局公告之「太陽光電變流器及監視單元資安檢測技術規範」，於變流器通訊模組安裝完畢後，請參照5.1.3章節，確實扣緊鎖扣後，張貼全新專用資安封條(表2-1 項目8)，如未確實張貼而因此導致資安事件，則本公司概不負責。

### 3.6.1 RS-485 連線

RS-485端子座腳位定義如表3-3所示

- 腳位1與2提供直流電壓12V/0.5A電源
- 腳位3與5 為RS-485差動信號之DATA+信號專用腳位
- 腳位4與6 為RS-485差動信號之DATA-信號專用腳位

依據上述的腳位，可以實現多台變流器的通信連接。

本機器設有120歐姆終端電阻，可使用通信模組上的控制開關進行切換(表3-3)。不同的RS-485連接方式時，需使用不同的終端電阻設定方式。

- 當多台變流器連接時，只有最後一台變流器必須將終端電阻接通如圖3-21
- 如果RS-485總線長度大於610m，建議使用Belden 3105A電纜或同規品來確保通信品質
- 一般情況下，RS-485線長建議小於30m
- RS-485: 工程使用

#### 注意



- 為確保良好的通信品質，建議使用絞線之電纜方式配置。

表 3-7: RS-485 端子座說明

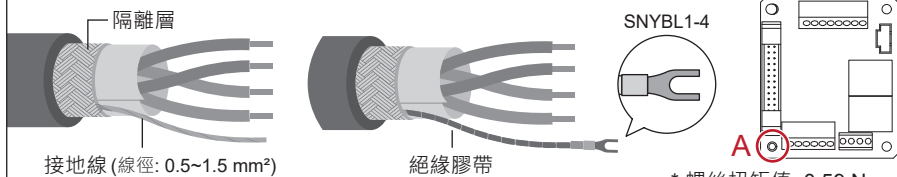
| Pin | Function    |
|-----|-------------|
| 1   | VCC (+12V)  |
| 2   | GND (非系統接地) |
| 3   | DATA+       |
| 4   | DATA-       |
| 5   | DATA+       |
| 6   | DATA-       |

#### 資訊



當RS-485需要接地時，請遵循以下步驟

1. 從隔離層剝出一條接地線(線徑: 0.5~1.5 mm<sup>2</sup>)，並做適當絕緣防護
2. 將接地線壓接Y端子(建議型號: SNYBL1-4)，並鎖附於下圖A處



\* 螺絲扭矩值: 0.59 N·m

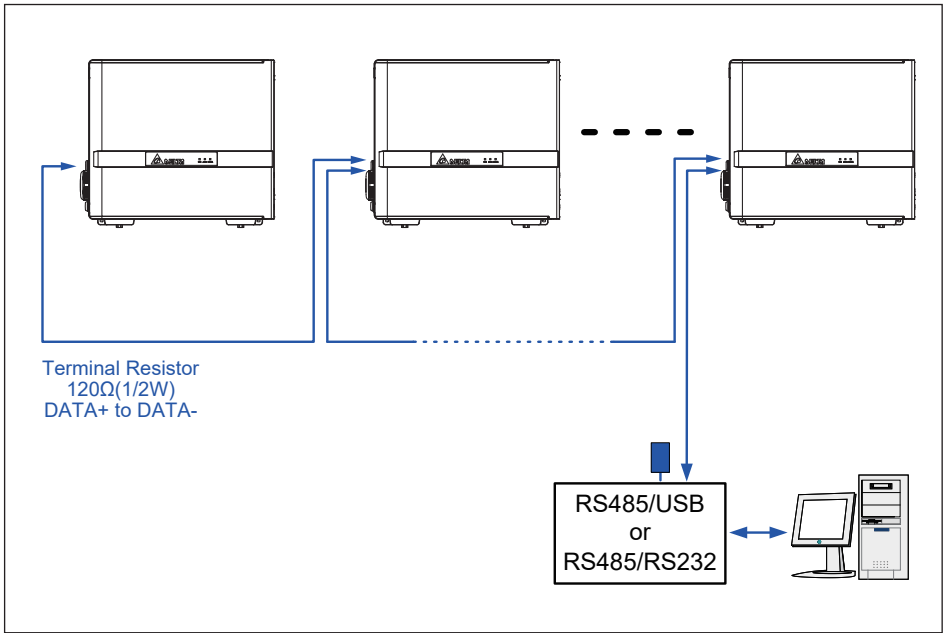


圖 3-21 : 多台併接通訊示意圖

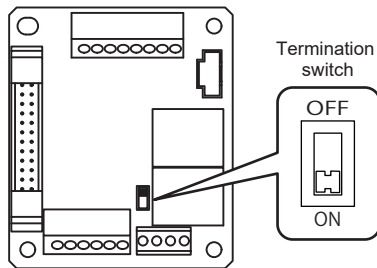


表 3-8 : 終端電阻設定說明

|     | Switch 1              |
|-----|-----------------------|
| ON  | Terminal Resistor ON  |
| OFF | Terminal Resistor OFF |

### 3.6.2 EPO 緊急關斷功能與數位輸入

本通信模組提供緊急關斷功能(EPO)。  
 可使用APP 或Delta Solar System (DSS)進行設定。

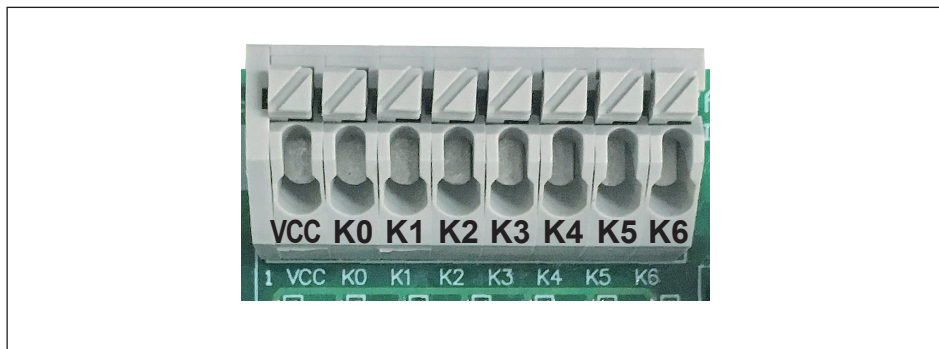


圖 3-22 : 緊急關斷功能端子座

利用VCC和K0連接，可啟用EPO功能。此外，還可以利用數位輸入功能，進行功率降低控制，限制變頻器的有效輸出功率。此控制設置可依據表3-9 所示的方式，將對應的兩個腳位進行短路來實現。

表 3-9: 數位輸入與EPO功能說明

| 短路腳位     | 變流器動作反應       |
|----------|---------------|
| VCC & K0 | 緊急關斷 (EPO)    |
| VCC & K1 | 控制至0 % 額定功率   |
| VCC & K2 | 控制至30 % 額定功率  |
| VCC & K3 | 控制至60 % 額定功率  |
| VCC & K4 | 控制至100 % 額定功率 |
| VCC & K5 | 預留            |
| VCC & K6 | 預留            |

### 3.6.3 乾接點連接說明

M100A\_280/283提供兩組乾接點端子，可依據變流器運行狀態控制外部裝置。該功能的接線端子如圖3-23所示，圖中標示為兩組乾接點端子位置，乾接點為常開狀態，其動作方式定義，使用者可藉由DSS進行設定。

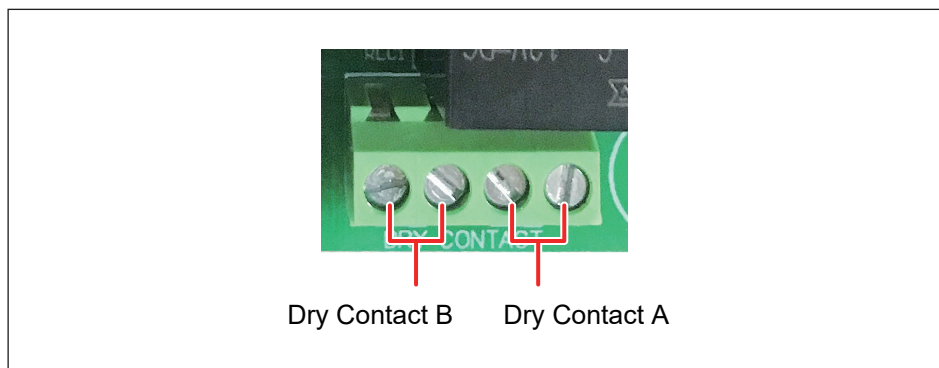


圖 3-23 : 乾接點連接位置圖

## 4 試運行

### 注意！



- 試運行前請務必再次確認所有線路連接正確。試運行期間如果發生異常情況，務必首先安全地切斷DC與AC來源再進行檢修。

請依照以下步驟執行送電試運行：

- 送電前再次確認所有接線皆正確並穩固，產品前蓋也確實蓋好(請參考5.1.3章節步驟關閉前蓋)。
- 開啟交流NFB使產品接入AC電源。
- 開啟產品右側兩個直流開關使產品接入DC電源。

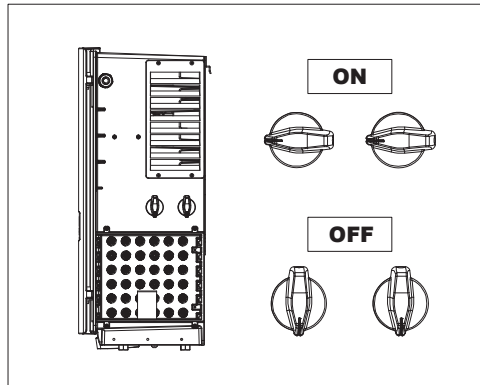


圖 4-1：直流開關



## 4.1 控制面板介紹

**注意：表面高溫，請勿觸碰！**



- 當開蓋時請小心表面高溫。
- 表面冷卻前請勿接觸變流器。

變流器提供3顆LED 燈號提供變流器的狀態顯示，如圖4-1所示。

LED燈狀態對應表，請參考表 4-1 所示，可利用該表獲得變流器運行狀態資訊。

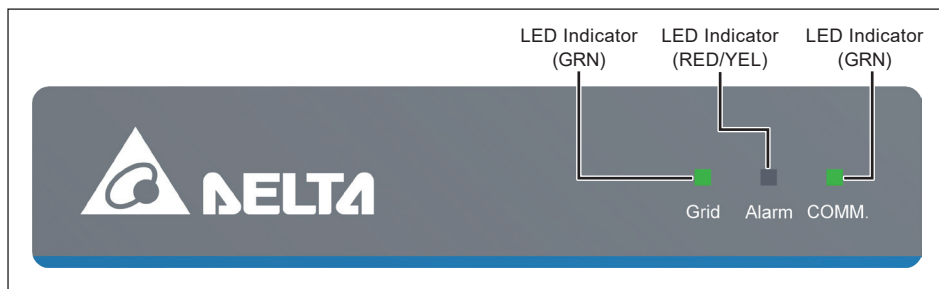


圖 4-2：顯示面板

表 4-1: LED 指示燈

| 狀況                          | Grid (綠)    | Alarm (紅/黃)      |
|-----------------------------|-------------|------------------|
| Countdown                   | FLASH       | OFF / OFF        |
| On Grid                     | ON          | OFF / OFF        |
| Inverter Fault / Remote off | OFF         | ON / OFF         |
| Inverter Warning            | ON (or OFF) | FLASH / OFF      |
| Field Fault                 | OFF         | OFF / ON         |
| Field Warning               | ON          | OFF / FLASH      |
| NO DC                       | OFF         | OFF / FLASH SLOW |
| FW Upgrade                  | FLASH       | FLASH / OFF      |
| Standby                     | FLASH       | OFF / FLASH      |
| Check PV Power              | FLASH FAST  | OFF / FLASH FAST |
| System Lock                 | OFF         | FLASH / FLASH    |

\*FLASH: ON 1s / OFF 1s

FLASH FAST: ON 0.25s / OFF 0.25s

FLASH SLOW: ON 5s / OFF 10s

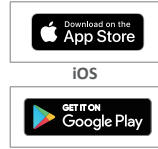
## 4.2 單一裝置初始設定-藍牙

內建藍牙功能的變流器可以透過“DeltaSolar”應用程式，以藍牙功能進行單一裝置的初始設定。

掃描下方二維條碼或是前往App Store (iOS用戶) / Google Play (安卓用戶)搜尋並下載及安裝應用程式。



二維條碼

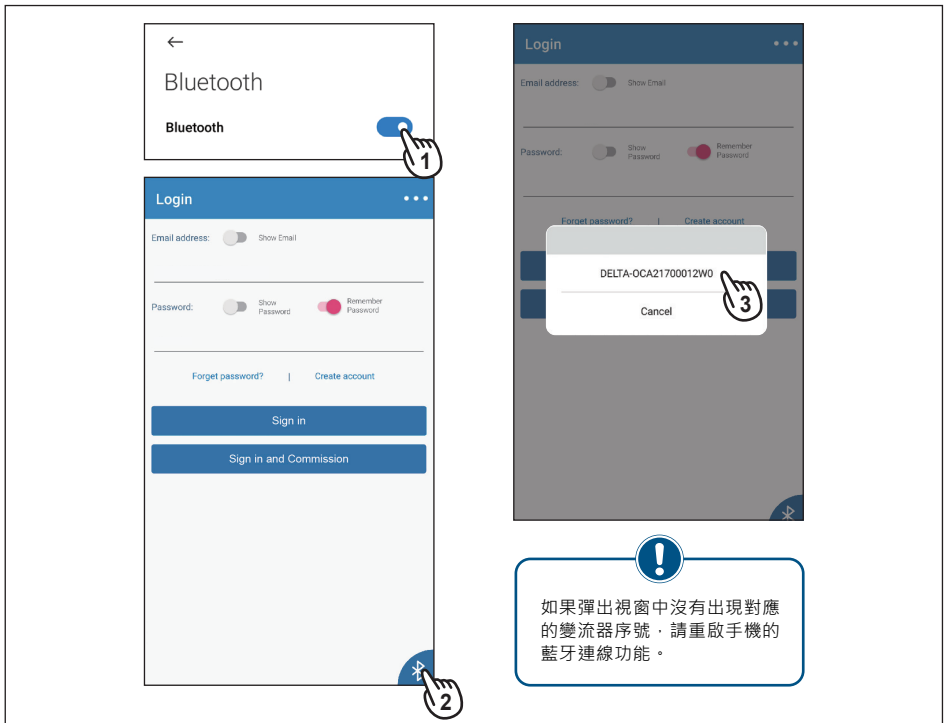


安卓系統



### 初始設定步驟 - 藍牙

- ① 開啟行動裝置上的藍牙功能
- ② 點擊應用程式登入頁面右下角的藍牙圖示
- ③ 選擇對應的變流器序號



如果彈出視窗中沒有出現對應的變流器序號，請重啟手機的藍牙連線功能。

圖 4-3 :初始設定(藍牙) 步驟1-3

- ④ 選取分頁 “Local Setting” 並點擊 “Grid Setting”
- ⑤ 點擊 “Inverter ID” 選擇對應的 ID 後點擊 “Inverter ID Set”
- ⑥ 點擊 “Country” 選擇使用的電網
- ⑦ 完成

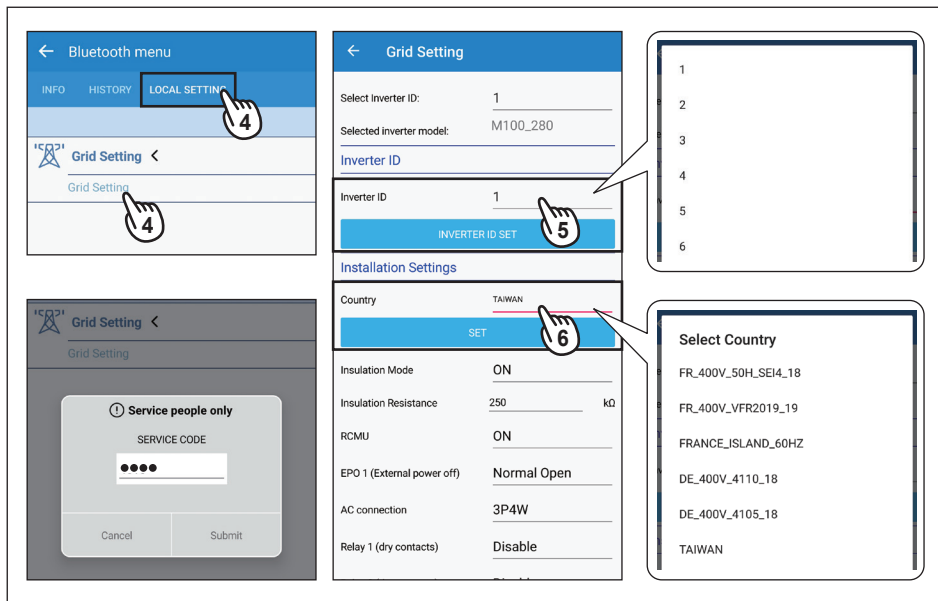


圖 4-4 :初始設定(藍牙) 步驟4-7

### 4.3 多台裝置初始設定-Auto ID

透過以下兩種軟體可以使用自動ID設定功能，一次設定所有變流器ID - DSS (Delta Solar System)

變流器可透過RS485接線連接至電腦，使用DSS進行設定。

- DeltaSolar APP

變流器透過DC1連接行動裝置(智慧型手機、平板等)，使用APP進行設定。

#### 4.3.1 DSS連接

- ① 選取欲設定的機種
- ② 點擊 “RS485 ”
- ③ 選取通訊端 (程式自動偵測)
- ④ 點擊 ▶

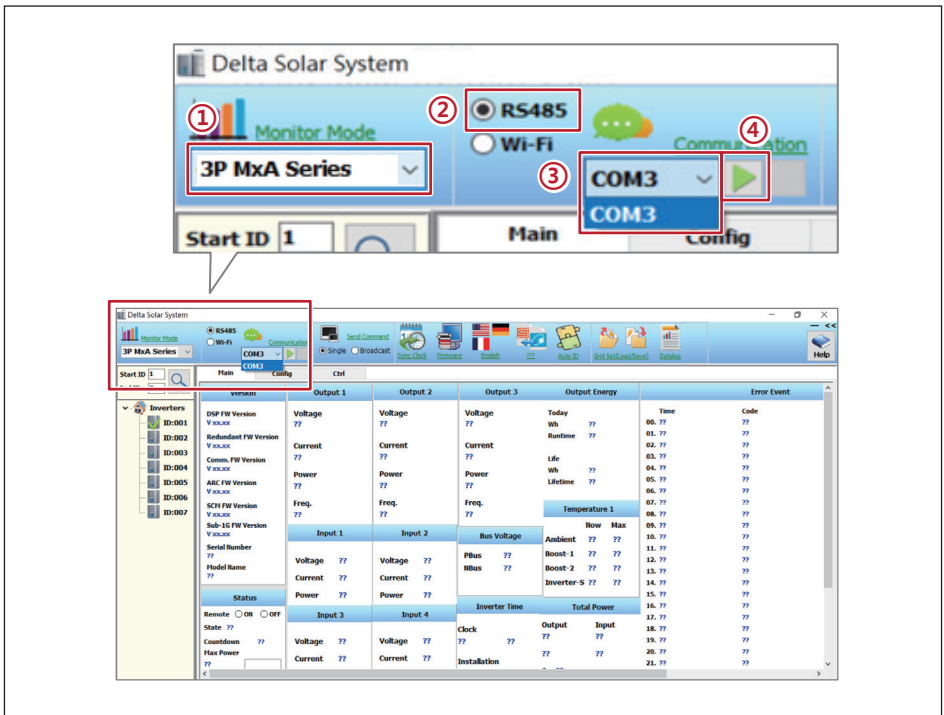



圖 4-5 : DSS連接

## 4.3.2 掃描變流器

- ① 點擊 “Auto ID 

The screenshot shows the main monitoring interface of the Delta Solar System software. The top toolbar contains various icons, and the 'Auto ID' icon is highlighted with a red box and a circled '1'. The main area displays a table of system parameters including DSP FW Version, Redundant FW Version, Comm. FW Version, ABC FW Version, and SCH FW Version, along with various voltage, current, and power readings for multiple outputs and inputs.

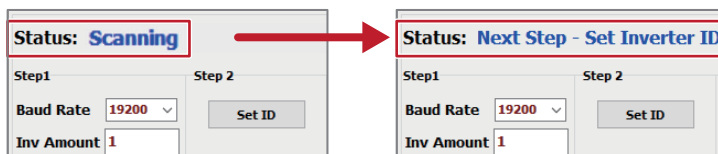
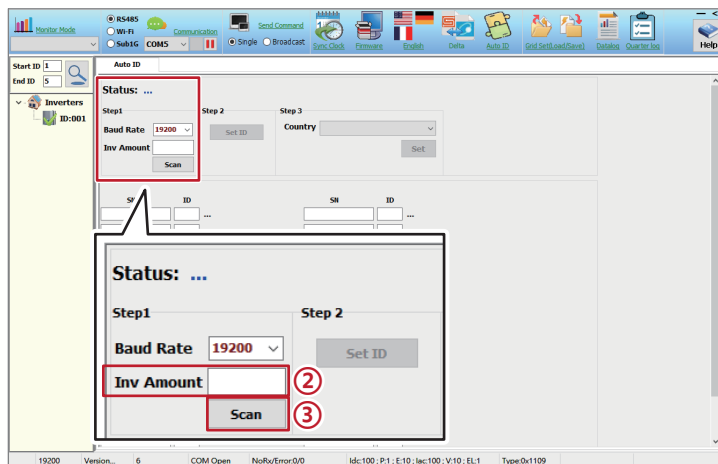


圖 4-6：變流器掃描

### 4.3.3 ID設定

- ① 被掃描到的裝置將顯示序號及系統預設ID，可以手動變更ID
- ② ID設定完成後點擊“Set ID”

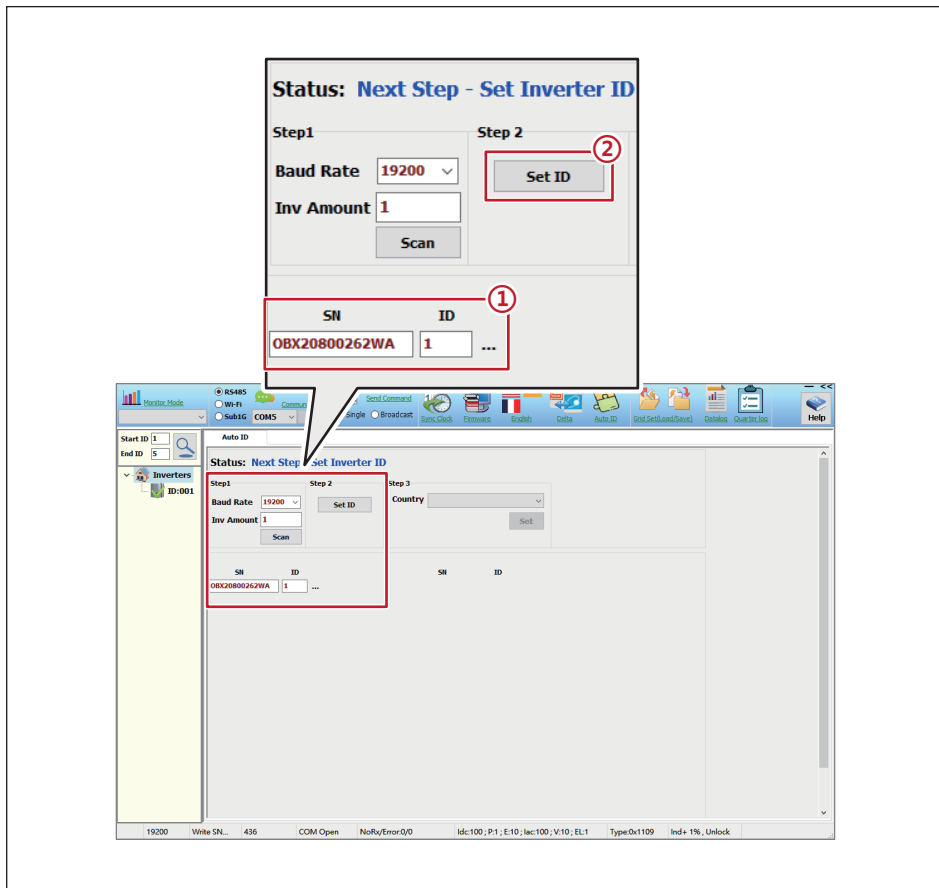


圖 4-7 : ID設定

### 4.3.4 國別設定

- ① 選取變流器國別
- ② 點擊 “Set ”

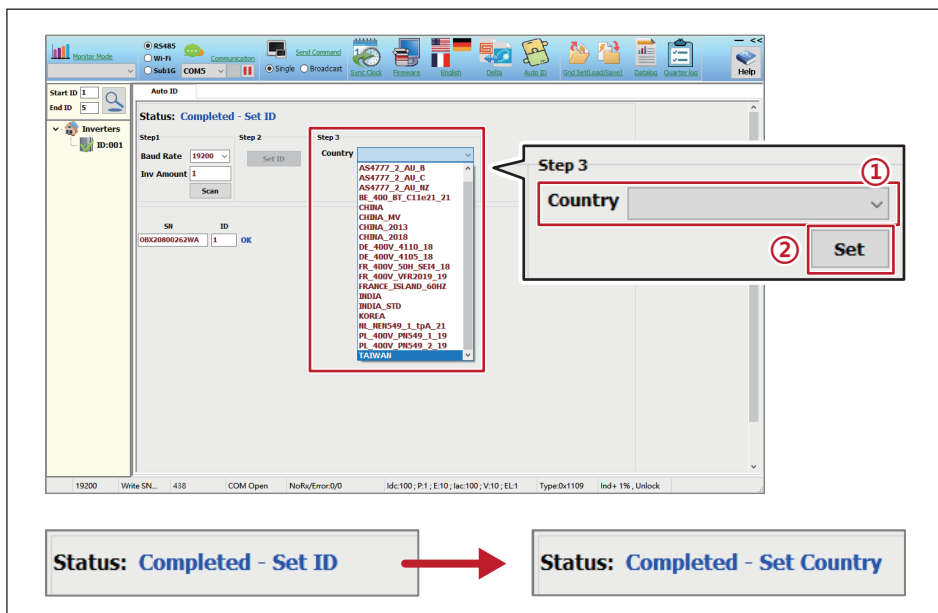


圖 4-8 : 國別設定

### 4.3.5 時間同步設定

點擊 “Sync Clock  ” 以同步時間設定

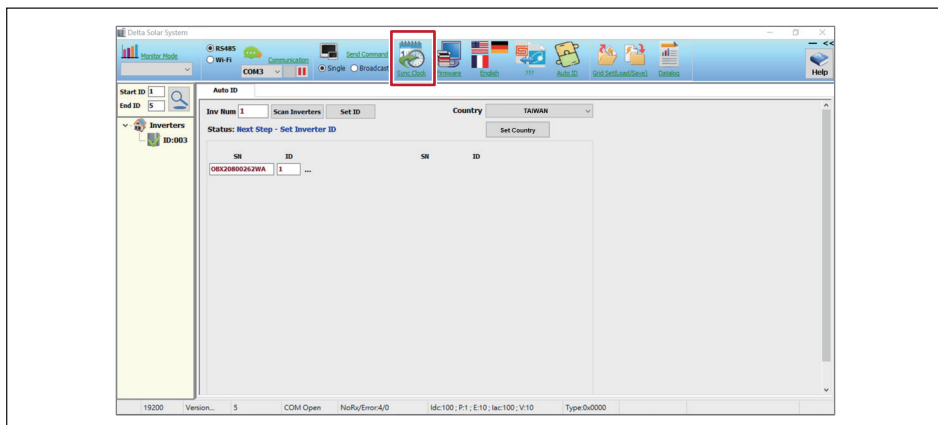


圖 4-9 : 時間同步設定

## 4.4 Delta功能設定

Delta 提供兩種機器設定方式：

DSS (Delta Solar System Software) 與 APP(DeltaSolar)

| 功能列表                                |                                 |
|-------------------------------------|---------------------------------|
| Active power control                | Q(U) control (volt-var control) |
| P-F control (watt-frequecy control) | Q by night (Q setting 24/7)     |
| P(U) control (volt-watt control)    | Anti-PID                        |
| Fixed cosφ                          | Dry contact                     |
| Fixed Q(%)                          | ARC fault detection             |
| Auto ID                             | Bluetooth                       |

請掃描下方連結取得使用說明



DSS 操作手冊:

[https://mydeltasolar.deltaww.com/manual/eng/SUB\\_1G/DSS.pdf](https://mydeltasolar.deltaww.com/manual/eng/SUB_1G/DSS.pdf)



APP (DeltaSolar) 操作手冊:

<https://mydeltasolar.deltaww.com/index.php?p=manual>



## 5 維護

為確保變流器正常運轉並保持良好狀態，建議至少每年進行一次維護，維護頻率應視環境、氣候條件與季節做適當調整。

### 危險:觸電危險!!



- 進行任何維修動作前，請確定交直流電源皆已切斷以避免觸電危險。
- 在沒有任何雨遮的情況下，請勿在雨天時進行配線或維護作業。

## 5.1 開啟與關閉前蓋

### 5.1.1 斷電程序

1. 切斷交流斷路器，並確保無機會被重新開啟。
2. 將產品右側兩組直流開關皆旋至“OFF”並進行安全防護，確保開關不會被重新開啟。
3. 等待60秒鐘，並確保變流器之LED指示燈熄滅。
4. 使用電流錶量測DC / AC電纜確保沒有電流。

### 5.1.2 開啟前蓋

- 當變流器外殼處於潮濕狀態，請擦拭過後再開啟前蓋，以防水氣進入箱體。

  1. 使用鎖扣外蓋上的六角板手鬆開鎖扣外蓋並開啟鎖扣(圖5-1)
  2. 開啟變流器前蓋並使用六角板手固定前蓋(圖5-2)
  3. 當安裝空間狹窄不易作業時，可以依圖5-3所示上抬前蓋並拆除

- 請勿長時間開啟前蓋。

### 5.1.3 關閉前蓋

#### 注意



- 變流器內部若有過多水氣或灰塵進入，將導致零件損壞而降低變流器使用壽命。
- 配線或開蓋檢查作結束後，請將兩個鎖扣都確實扣上，避免機器失去IP66的防護。

1. 確保端子或可見帶電元件清潔無雜物、灰塵或液體。
2. 所有防護蓋皆正確安裝。
3. 卸下固定前蓋之六角板手(圖5-2)，並關閉前蓋。
4. 扣上鎖扣後，請參考圖5-4張貼全新專用資安封條(表2-1 項目8)。
5. 使用六角扳手以2 N·m的扭矩擰緊鎖扣外蓋。
6. 將六角板手固定於鎖扣外蓋上。

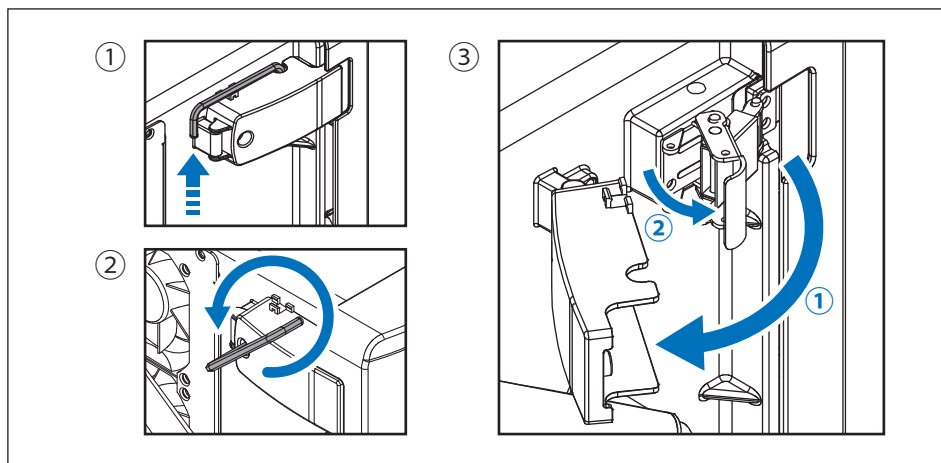


圖 5-1：鬆開鎖扣

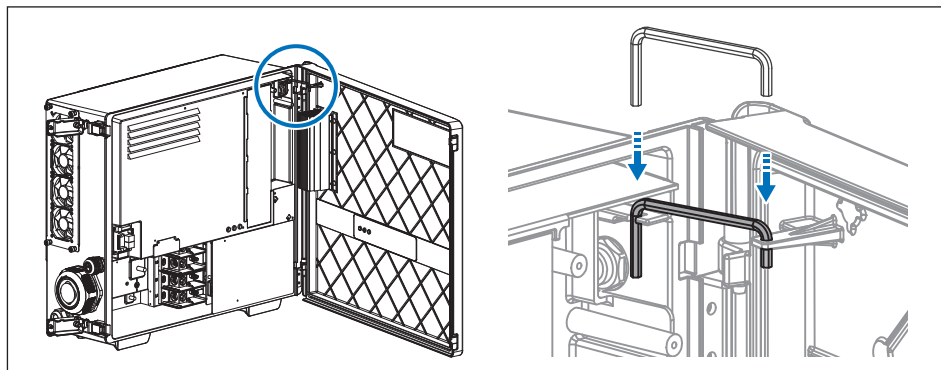


圖 5-2：利用板手將前蓋進行固定

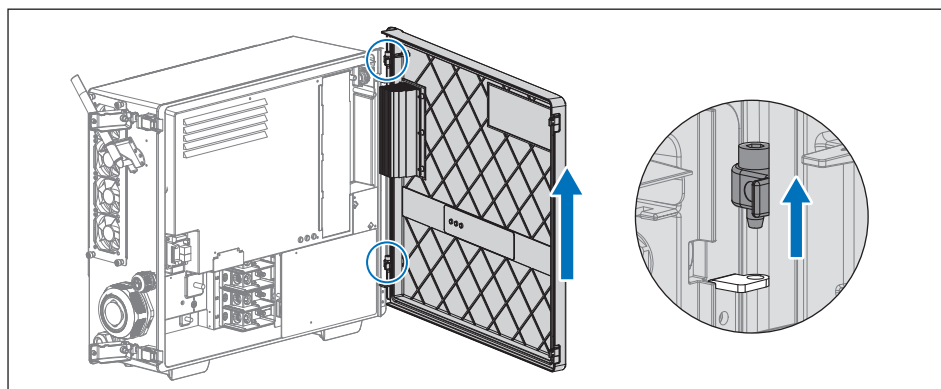


圖 5-3：拆除前蓋

## 注意



本機已通過標準檢驗局公告之「太陽光電變流器及監視單元資安檢測技術規範」，請於變流器通訊模組安裝完畢並確實扣緊鎖扣後，張貼資安封條，如未確實張貼而因此導致資安事件，則本公司概不負責。

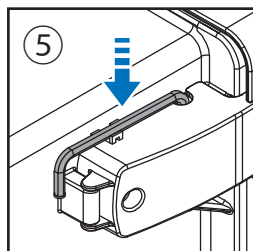
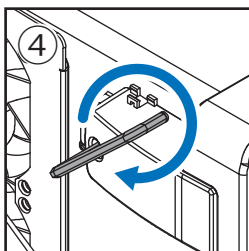
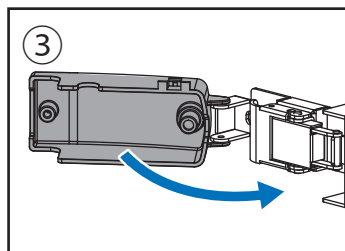
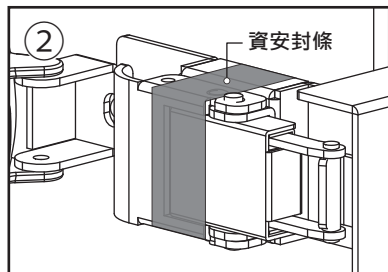
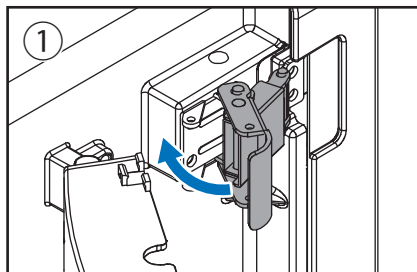


圖 5-4 : 資安封條黏貼

## 5.2 更換雷擊保護裝置 (SPD)

M100A\_280/283配有用於交流和直流接線的雷擊保護裝置，所在位置及實際外觀如下圖所示，請在損壞時依循以下章節步驟進行更換。

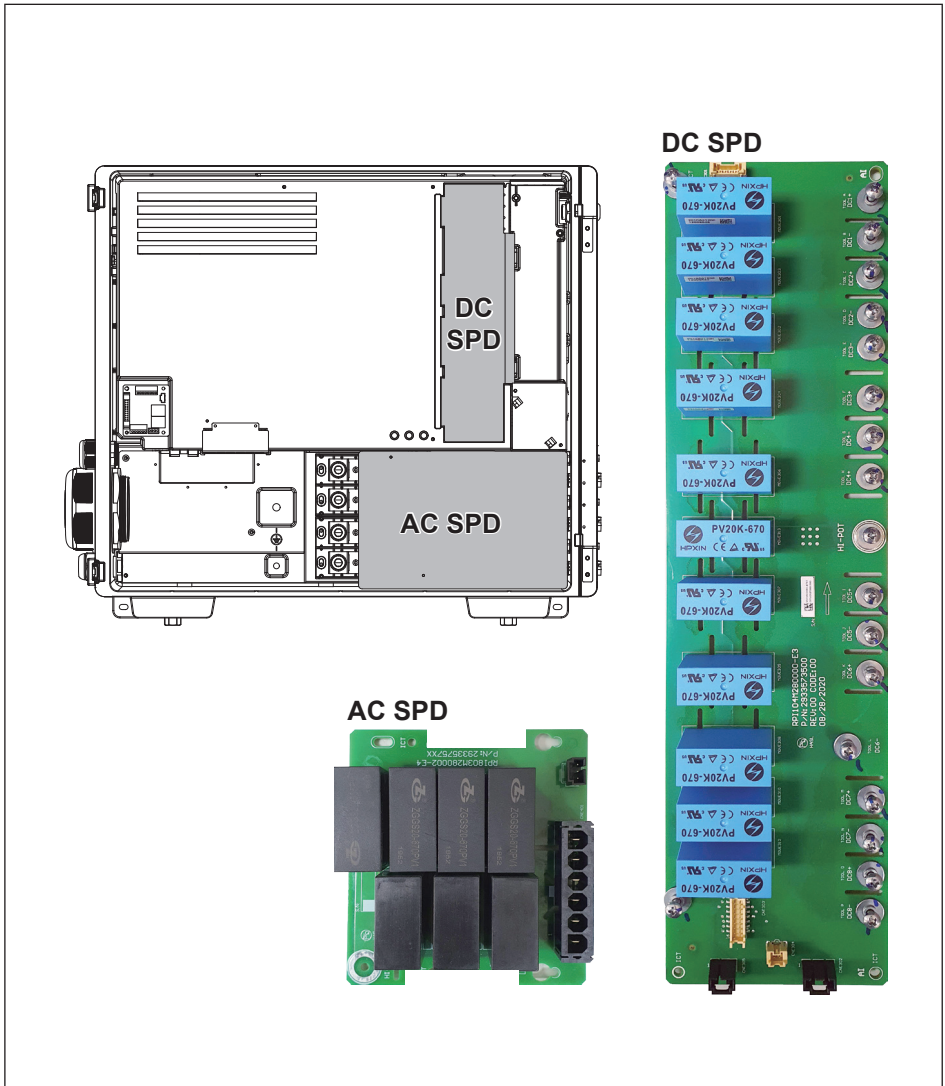


圖 5-5：雷擊保護裝置

## 5.2.1 移除交流雷擊保護裝置 (AC SPD)

1. 按照5.1.1章節步驟將電源斷開。
2. 按照5.1.2章節步驟開啟前蓋。
3. 取下直交流端子上之保護蓋，即可看見SPD(圖5-6)。
4. 請依照圖示方式按壓卡扣並移除2組帶接頭線組(圖5-7-①)。
5. 移除AC SPD板上的固定螺絲(圖5-7-②)，再向右拉以移除裝置(圖5-7-③)。

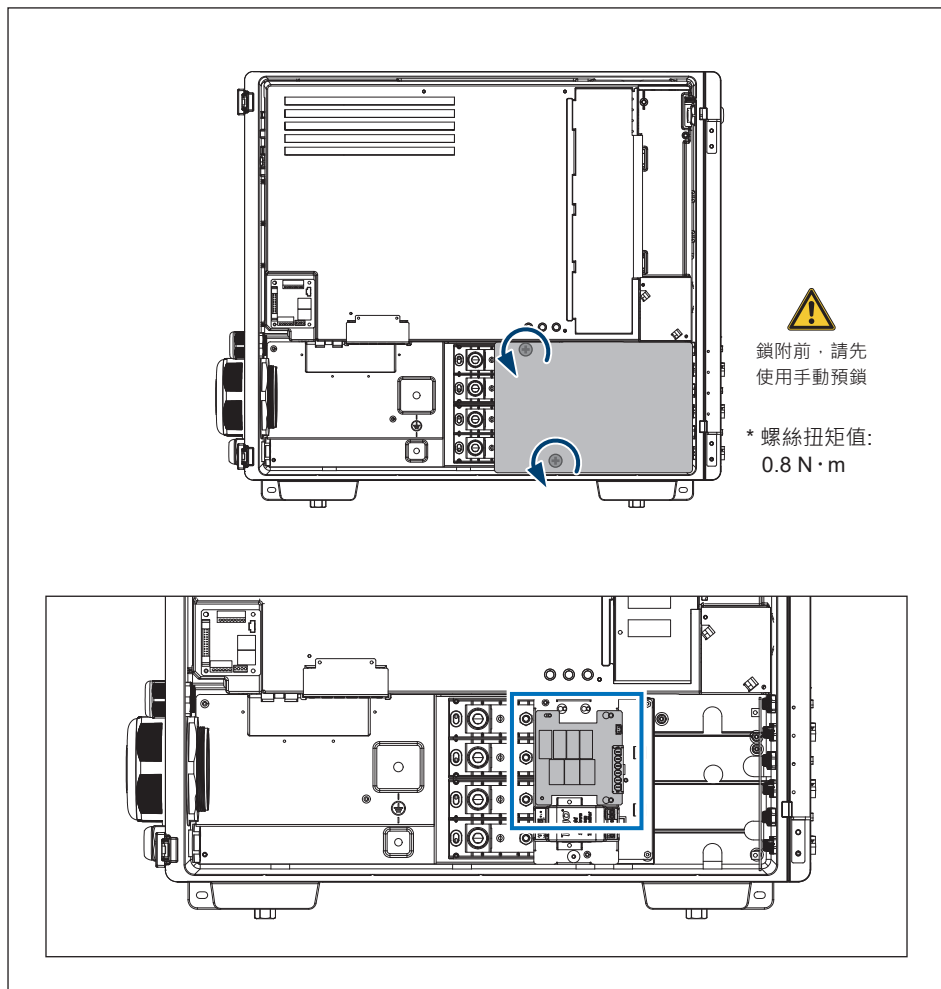


圖 5-6：取下防護蓋

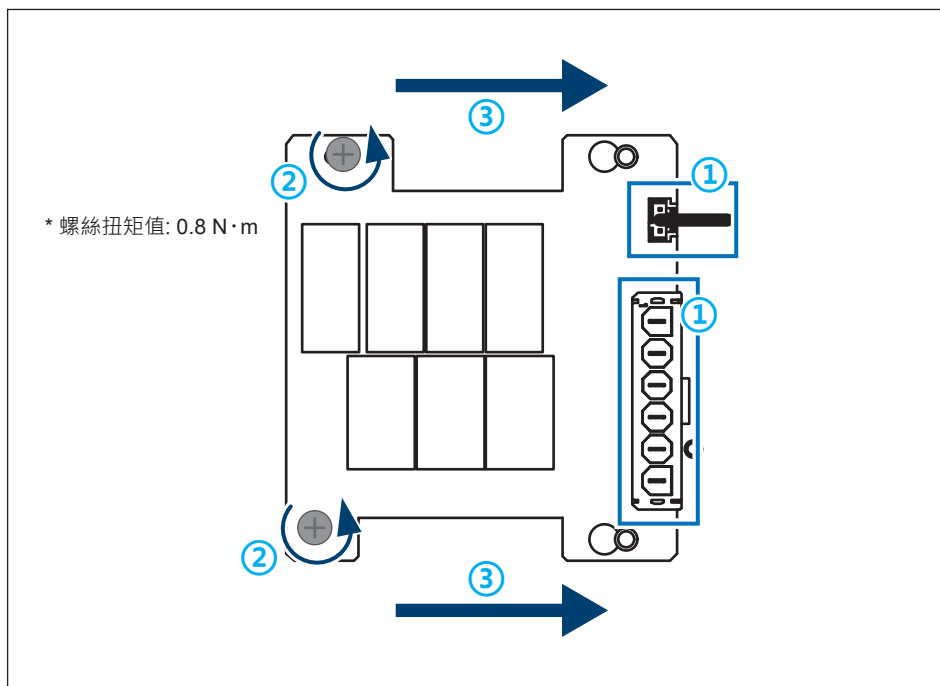


圖 5-7：移除螺絲與排線

## 5.2.2 安裝交流雷擊保護裝置 (AC SPD)

1. 確認AC SPD裝置三處掛勾孔有正確卡扣固定且可平穩放置。
2. 使用PH2螺絲起子，以0.8 N-m扭矩鎖緊AC SPD裝置上的固定螺絲。
3. 將兩線組安裝於AC SPD裝置接頭，確保卡扣確實固定。
4. 裝上保護蓋，並使用PH2螺絲起子以0.8 N-m之扭矩鎖緊2個螺絲。
5. 按照5.1.3章節步驟關閉前蓋以完成SPD安裝。

## 5.2.3 移除直流雷擊保護裝置 (DC SPD)

1. 按照5.1.1章節步驟將電源斷開。
2. 按照5.1.2章節步驟開啟前蓋。
3. 如下圖所示，按壓以開啟透明防護蓋(圖5-8)。
4. 按壓卡扣並移除3組帶接頭線組(圖5-9-①)。
5. 旋鬆18個螺絲即可卸下DC SPD裝置(圖5-9-②)。

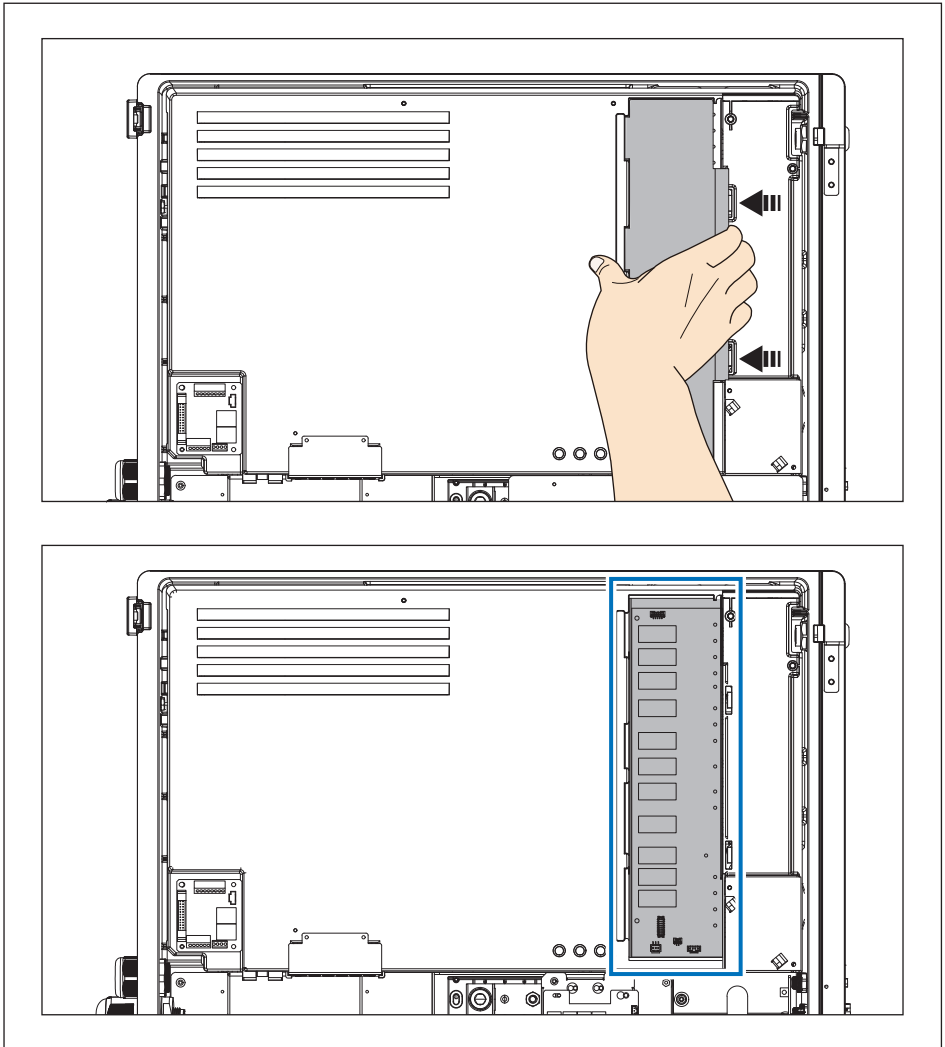


圖 5-8：取下防護蓋

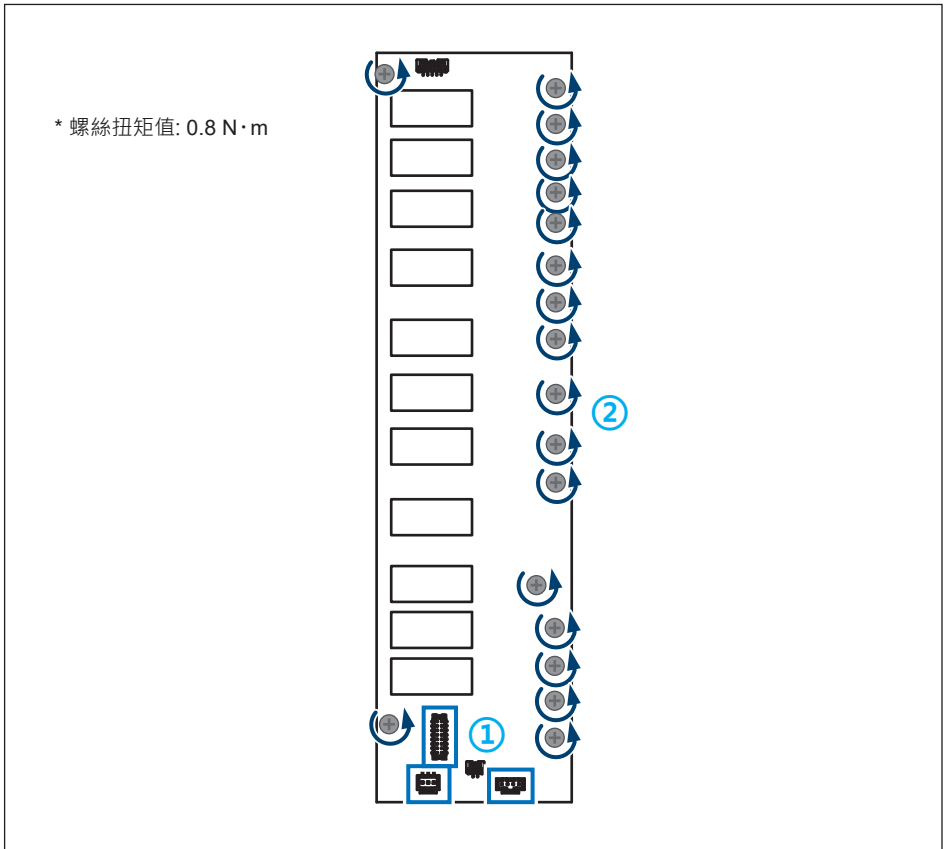


圖 5-9: 移除螺絲與排線

## 5.2.4 安裝直流雷擊保護裝置 (DC SPD)

1. 以0.8N-m的扭矩擰緊18個固定螺絲，請確保所有螺絲正確擰緊沒有歪斜。
2. 連接感測信號線並確保卡扣固定。
3. 裝上保護蓋，並按照5.1.3章節步驟關閉前蓋以完成SPD安裝。



## 5.3 智慧風扇更換與濾網清潔

M100A\_280/283 提供一組電源冷卻風扇及兩組內部循環風扇：

圖 5-10 為功率模組風扇位置。

### 注意



需要定期的將風扇和過濾器清潔，以確保長壽命和可靠性。

- 風扇及濾網清潔頻率由當地環境決定。
- 正常環境條件使用下，每四個月需清潔風扇及濾網一次。
- 若安裝於嚴苛環境，建議每個月或每一季需清潔風扇及濾網一次。

因該冷卻系統採用模組化設計，因此具有易清潔與易維護更換的特性。

### 危險:觸電危險!!



- 在開始任何維護程序之前，請將交流斷路器和直流開關關閉以避免電擊危險！

### 5.3.1 風扇告警對應位置

當警告訊息顯示 "W11-Fan Fail"，請參考DSS上的錯誤代碼並依循以下章節的步驟，更換對應位置的風扇。

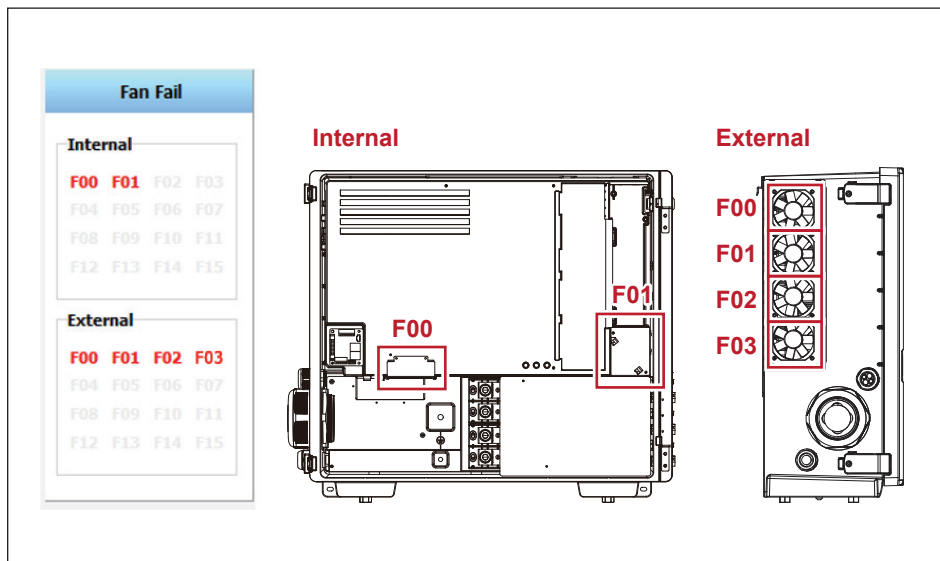


圖 5-10 : DSS錯誤代碼對應之風扇位置

### 5.3.2 功率模組專用風扇

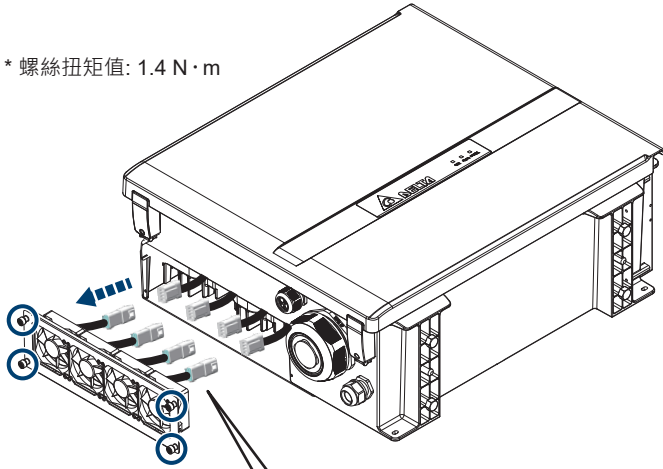
請參閱圖5-11並按照下面列出的步驟操作：

- 卸入入風口過濾網外蓋的四顆螺絲。  
此步驟進行後，同時確認過濾網狀態，必要時進行清潔。  
進行風扇維護時，請繼續執行以下步驟。
- 取下每個風扇電源排線。(要釋放卡扣，請從兩側按位置A和位置B。)
- 從機箱中取出風扇托盤。  
要單獨拆卸風扇時，請卸下其固定到風扇托架的四顆螺釘。

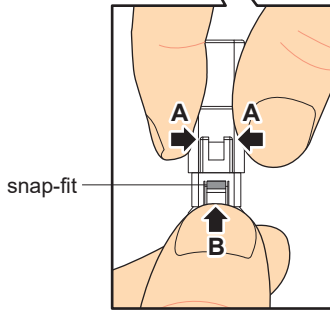
重新安裝風扇架時，請按照上述步驟的順序重新組裝並鎖緊螺絲。

\* 螺絲扭矩值: 1.4 N·m

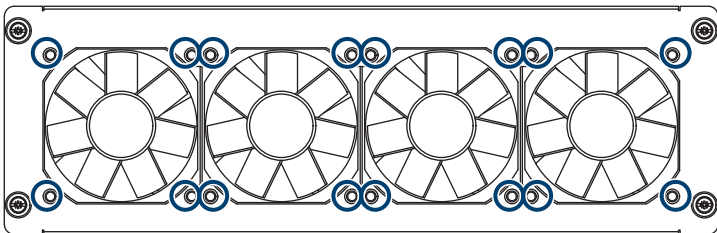
①



②



③



\* 螺絲扭矩值: 0.6 N·m

圖 5-11 : 風扇架拆卸示意圖

### 5.3.3 內部風扇1

#### 拆裝內部風扇1步驟

- (1) 依照圖5-12上圖所示拆下防護蓋。
- (2) 鬆開圖5-12下圖中的兩顆防脫落螺絲，並拆下風扇架。
- (3) 取下DC SPD板上的電源連接排線。(如圖5-12所示)
- (4) 取下風扇組件。(如圖5-13、5-14所示)
- (5) 清潔風扇組件或更換新風扇。
- (6) 使用圖中所示的扭矩重新組裝。

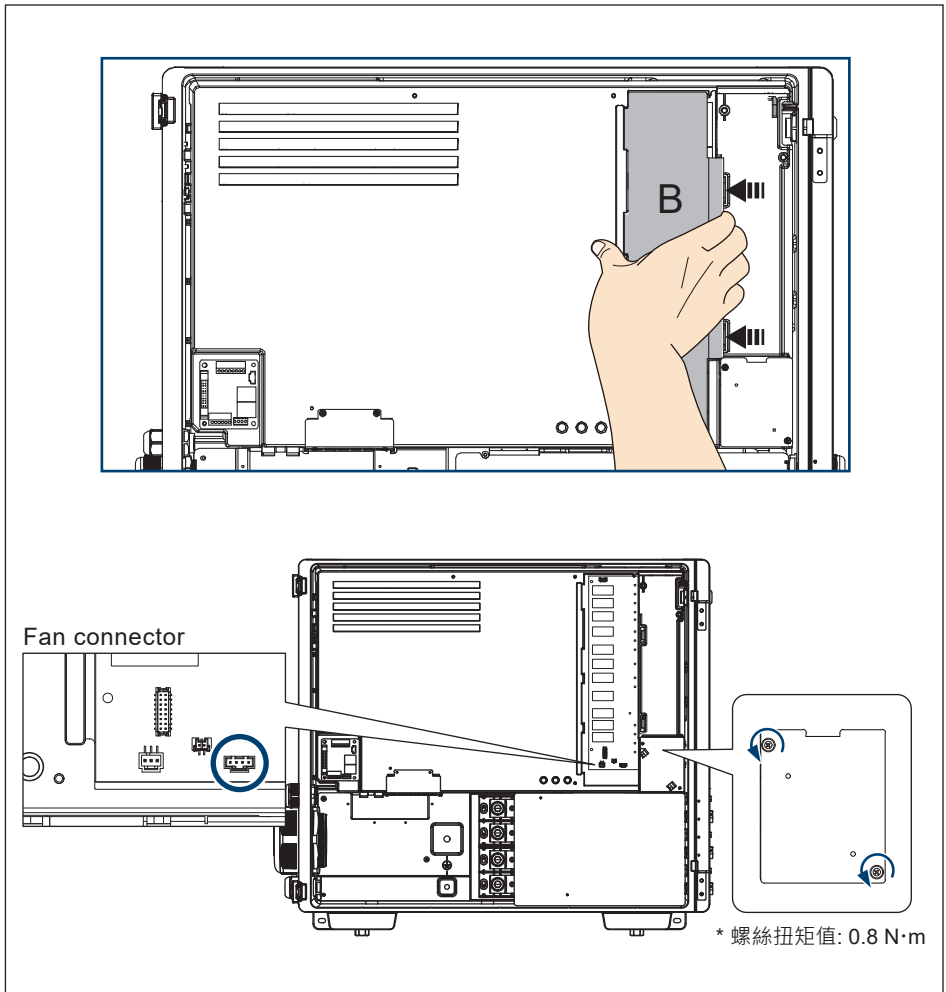


圖 5-12：內部風扇1 位置與拆裝示意圖

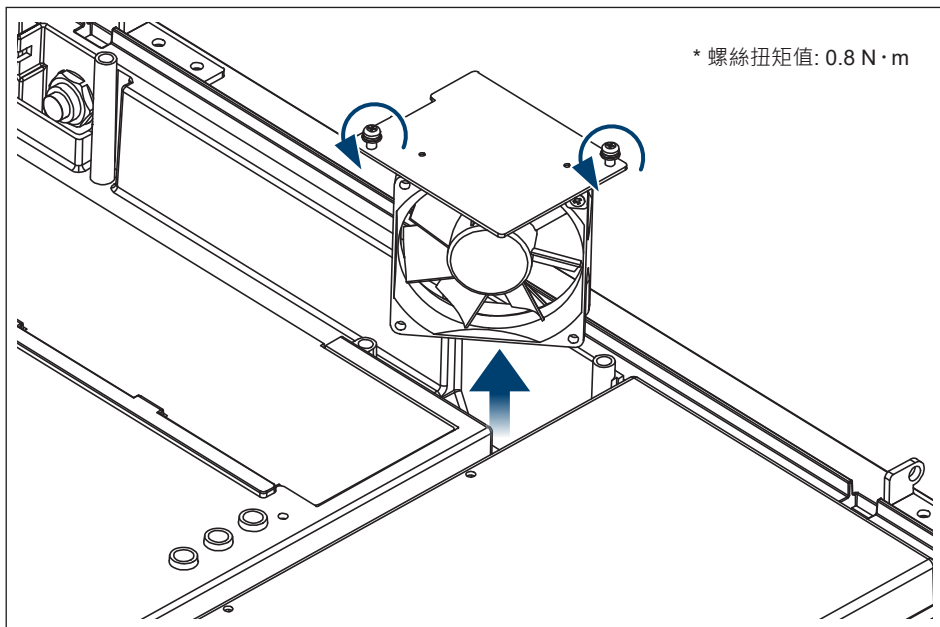


圖 5-13 : 取下內部風扇1示意圖

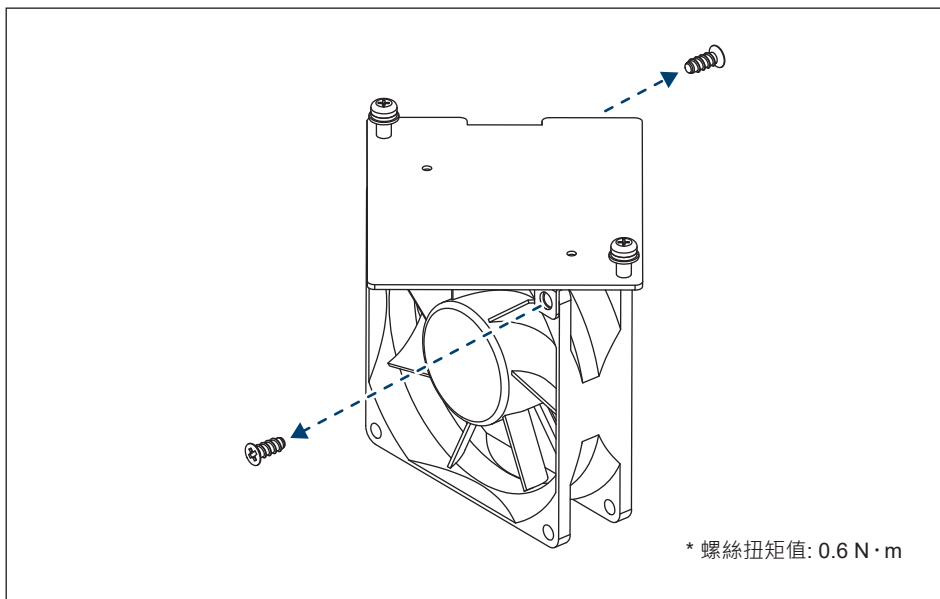


圖 5-14 : 更換風扇示意圖

### 5.3.4 內部風扇2

#### 拆裝內部風扇2步驟

- (1) 鬆開圖5-15中所示的兩顆防脫落螺絲，然後拆下風扇架。
- (2) 取下通訊板上的電源連接排線。
- (3) 取下風扇組件。(如圖5-16、5-17所示)
- (4) 清潔風扇組件或更換新風扇。
- (5) 使用圖中所示的扭矩重新組裝。

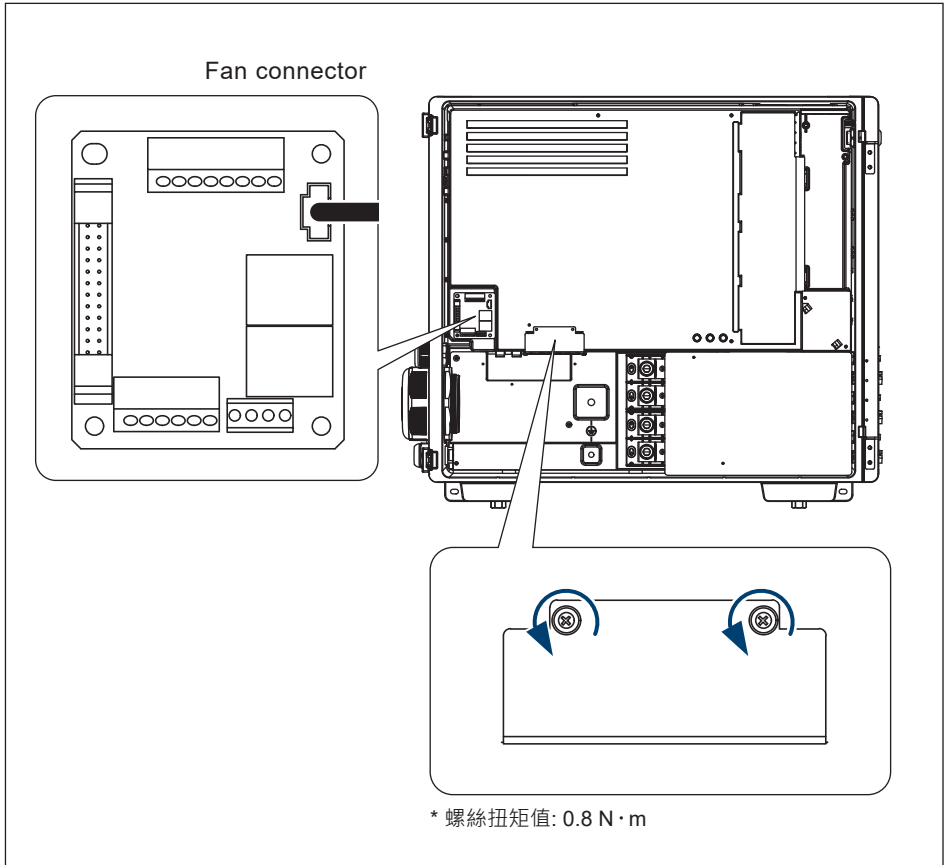


圖 5-15 : 內部風扇2 位置與拆裝示意圖

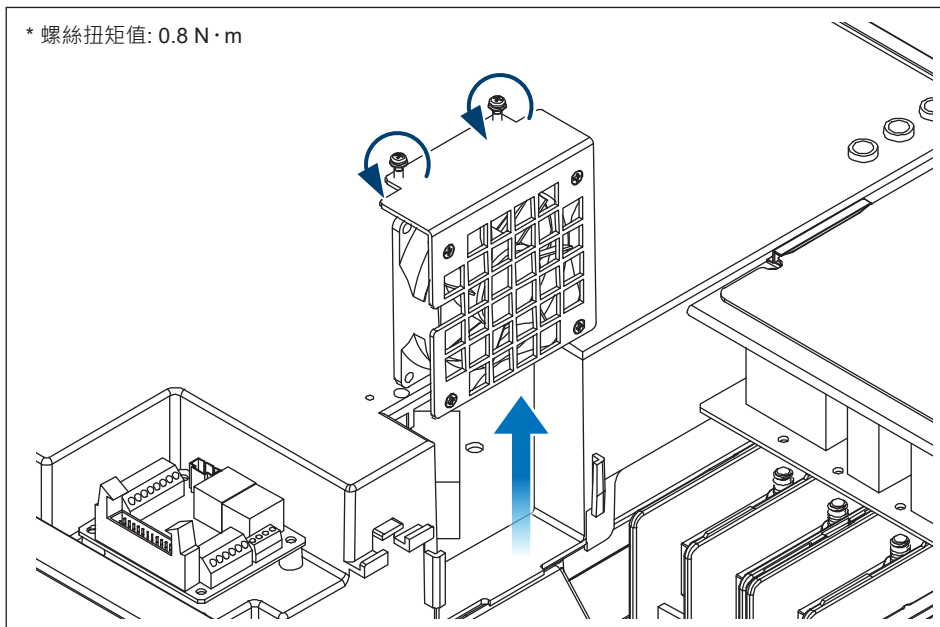


圖 5-16: 取下內部風扇2示意圖

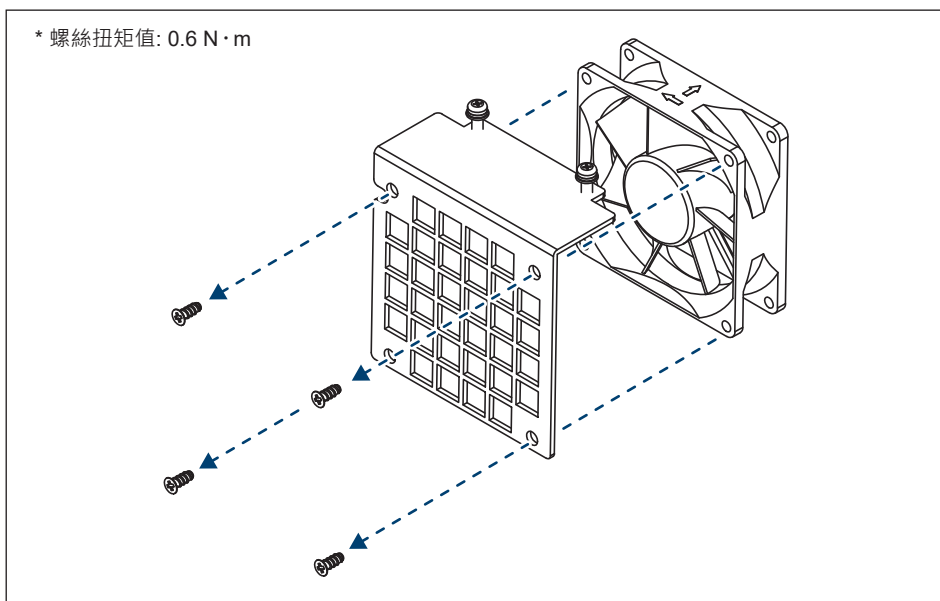


圖 5-17: 更換風扇示意圖

## 5.4 終止運轉

### 危險:觸電危險!!



- 確保交流電源線於操作過程中沒有電力來源，以避免觸電危險。

### 注意: 表面高溫!



- 變流器表面高溫可能導致人員受傷，請在觸碰前確保已冷卻至適當溫度範圍。

機器停止運轉步驟如下:

1. 請遵循5.1.1章節步驟切斷電源
2. 請遵循5.1.2章節步驟開啟前蓋
3. 移除通訊、直流、交流及接地電纜

### 注意



- 所有電纜都應做適當絕緣防護。

4. 妥善安裝電纜密封套內部橡膠墊圈及防水塞，以防水氣及灰塵進入機體內部



## 6 錯誤告警及排除問題

台達致力於打造高可靠標準的電子產品，若出現變流器無法正常動作的情況時，請使用故障排除指南(表6-1~6-4)中的說明，進行故障排除；若經過排除後仍無法解決問題，請聯繫客服中心尋求技術協助。

### 6.1 錯誤訊息(配置端故障)

表 6-1A: 錯誤訊息 (配置端故障)

| 資訊顯示                    | 可能原因                                 | 故障排除   |
|-------------------------|--------------------------------------|--|
| AC Freq High (E01)      | 市電頻率過高                               | 1. 檢查變流器端的市電頻率<br>2. 檢查國家與電網設定                       |
| AC Freq Low (E02)       | 市電頻率過低                               |  |
| Island (E03,E04,E05)    | 市電中斷                                 | 檢查AC 斷路器   |
| AC phase jump (E06)     | 市電相位異常                               | 當重複發生時，請聯繫客服人員，尋求技術支援                                |
| Grid Quality (E07)      | 在電網或靠近變流器附近非線性的負載                    | 當重複發生時，請聯繫客服人員，尋求技術支援                                |
| AC phase abnormal (E08) | AC端連接錯誤                              | 檢查AC連接，必須和使用手冊一致                                     |
| No Grid (E09)           | 1. AC 斷路器跳開<br>2. AC 接頭未正確連接         | 1. 斷開AC 斷路器<br>2. 檢查連接AC接頭並確認其連接至變流器                 |
| AC Volt Low (E10)       | 1. 市電電壓過低<br>2. 電網設定錯誤<br>3. AC端連接錯誤 | 1. 檢查市電與變流器端的連接<br>2. 檢查國家或電網設定<br>3. 檢查AC接頭連接       |
| AC Volt High (E11)      | 1. 市電電壓過高<br>2. 電網設定錯誤               |  |
| EPO (E25)               | 緊急關斷按鈕被啟動                            | 請解除EPO按鈕   |
| DC Volt High (E30)      | 輸入電壓超過 1000Vdc                       | 修正solar array設定並使得Voc小於1000Vdc                       |
| Insulation Fault (E34)  | 太陽能模組與接地間發生隔離阻抗問題                    | 1. 檢查太陽能模組接地是否確實<br>2. 檢查變流器接地是否確實<br>3. 檢查直流斷路器是否受潮 |
| Remote OFF (E36)        | 外部通訊執行遠端關機                           | 請檢查外部通訊Remote OFF設定                                  |

## 6.2 故障代碼(變流器故障)

表 6-2A: 錯誤訊息 (變流器故障)

| 資訊顯示                              | 可能原因                     | 故障排除   |
|-----------------------------------|--------------------------|--|
| DC Injection<br>(F01,F02,F03,F04) | 市電波形異常                   | 請聯繫客服人員，尋求技術支援                               |
| Temperature High<br>(F05)         | 變流器內部環溫或功率模組溫度過高         | 檢查設備的周遭和環境                                   |
| Amb Temp Fault<br>(F06)           | 功率模組溫度偵測電路異常             | 請聯繫客服人員，尋求技術支援                               |
| Temperature Low<br>(F07)          | 變流器內部環溫或功率模組溫度過低         | 檢查設備的周遭和環境                                   |
| Boost Temp Fault<br>(F08)         | 功率模組溫度偵測電路異常             | 請聯繫客服人員，尋求技術支援                               |
| Bidir. Temp Fault<br>(F09)        | 功率模組溫度偵測電路異常             | 請聯繫客服人員，尋求技術支援                               |
| Inveter Temp Fault<br>(F10)       | 功率模組溫度偵測電路異常             | 請聯繫客服人員，尋求技術支援                               |
| AC RLY Fault<br>(F13)             | 1. 繼電器驅動電路異常<br>2. 繼電器異常 | 請聯繫客服人員，尋求技術支援                               |
| FW Unmatch<br>(F14)               | 韌體不相容                    | 請聯繫客服人員，尋求技術支援                               |
| AC Sensor Fault<br>(F15)          | 輔助電源電路異常                 | 1. 請確認直流端子極性(當同時出現W08時)<br>2. 請聯繫客服人員，尋求技術支援 |
| Vdc Sensor Fault<br>(F16)         | 輔助電源電路異常                 | 請聯繫客服人員，尋求技術支援                               |
| Idc Sensor Fault<br>(F17)         | 輔助電源電路異常                 | 1. 請確認直流端子極性(當同時出現W08時)<br>2. 請聯繫客服人員，尋求技術支援 |
| AC Sensor Fault<br>(F18)          | 輔助電源電路異常                 | 1. 請確認直流端子極性(當同時出現W08時)<br>2. 請聯繫客服人員，尋求技術支援 |
| Idc Sensor Fault<br>(F19)         | 輔助電源電路異常                 | 請聯繫客服人員，尋求技術支援                               |
| Red COMM Fault<br>(F22)           | 變流器內部通訊異常                | 請聯繫客服人員，尋求技術支援                               |
| DSP COMM Fault<br>(F23)           | 變流器內部通訊斷線                | 請聯繫客服人員，尋求技術支援                               |

表 6-2B: 錯誤訊息 (變流器故障)

| 資訊顯示   | 可能原因                           | 故障排除  |
|--|--------------------------------|---|
| Ground Cur. High (F24)                         | 太陽能模組與接地隔離阻抗異常                 | 1. 檢查輸入端的絕緣<br>2. 請聯繫客服人員，尋求技術支援                                    |
| Iac Unbalance (F26)                            | 1. 變流器內部的電源線未連接<br>2. 電流回授電路無效 | 檢查AC接頭連接  |
| RCMU Fault (F27)                               | RCMU連接中斷                       | 請聯繫客服人員，尋求技術支援  |
| AC RLY Short (F28)                             | AC 繼電器短路                       | 請確認端子座配線與市電端配線是否正確  |
| AC RLY Open (F29)                              | AC 繼電器開路                       | 請聯繫客服人員，尋求技術支援  |
| Bus Unbalance (F30)                            | 變流器內部直流電壓不平衡                   | 重新啟斷DC開關  |
| Bus Voltage High (F31, F32, F33, F34, F35)     | Bus 電容電壓過高                     | 1. 請重新啟動DC開關<br>2. 修正太陽能板設定，並使得Voc 小於 1000Vdc (當同時出現E30時)           |
| AC Current High (F36, F37, F38, F39, F40, F41) | 操作期間突波發生                       | 請聯繫客服人員，尋求技術支援  |
| AC CT Fault (F42)                              | 交流側R相電流感測器異常                   | 請聯繫客服人員，尋求技術支援  |
| AC CT Fault (F43)                              | 交流側S相電流感測器異常                   | 請聯繫客服人員，尋求技術支援  |
| AC CT Fault (F44)                              | 交流側T相電流感測器異常                   | 請聯繫客服人員，尋求技術支援  |
| AC Current High (F45)                          | 交流電流輸出過大                       | 重新啟斷DC開關  |
| ZC Circuit Fault (F50)                         | 相位偵測電路異常                       | 請聯繫客服人員，尋求技術支援  |
| Inv Circuit Fault (F51)                        | 電壓轉換電路異常                       | 請聯繫客服人員，尋求技術支援  |
| Boost Circuit Fault (F52)                      | 升壓電路異常                         | 請聯繫客服人員，尋求技術支援  |
| Arc Circuit Fault (F58)                        | 1. 電弧偵測硬體異常<br>2. 電弧偵測測試異常     | 請檢查電弧偵測電路，確認接線正確  |
| Arc Fault (F59)                                | 變流器偵測到電弧異常                     | 1. 請檢查直流側接線有無異常或毀損<br>2. 更換直流側接線並到DSS解除ARC鎖機狀態<br>3. 請聯繫客服人員，尋求技術支援 |

表 6-2C: 錯誤訊息 (變流器故障)

| 資訊顯示                              | 可能原因     | 故障排除                                  |
|-----------------------------------|----------|---------------------------------------|
| DC Current High (F60,F61,F70,F71) | 直流端過電流保護 | 重新啟斷DC開關                              |
| Ext COMM. Fault (F74)             | 外部通訊異常   | 1. 請檢查外部通訊接線是否異常<br>2. 請聯繫客服人員，尋求技術支援 |

### 6.3 警告代碼(配置端警告)

表 6-3A: 警告代碼 (配置端警告)

| 資訊顯示                     | 可能原因   | 故障排除  |
|--------------------------|--|---|
| De-rating (W07)          | <ol style="list-style-type: none"> <li>1. 本體及環境溫度過高</li> <li>2. 實功率限制功能作動</li> <li>3. P-F功能作動</li> <li>4. P(V) 功能作動</li> <li>5. 市電電壓過低</li> <li>6. 輸入電壓過低</li> <li>7. 輸入電壓過高</li> <li>8. 爬升功能</li> </ol> | <ol style="list-style-type: none"> <li>1. 確認安裝機器本體及環境溫度</li> <li>2. 確認國別及最大功率限制參數設定</li> <li>3. 確認市電頻率是否異常</li> <li>4. 確認市電電壓是否異常</li> <li>5-1. 確認市電電壓是否異常</li> <li>5-2. 確認虛功控制功能設定</li> <li>6. 確認PV panel輸入電壓是否過低</li> <li>7. 確認PV panel輸入電壓是否過高</li> <li>8. 確認爬升功能設定</li> </ol> |
| String fault (W08)       | <ol style="list-style-type: none"> <li>1. 直流端子極性錯誤</li> <li>2. 太陽能組串不匹配</li> <li>3. 組串電流偵測電路異常</li> </ol>  | <ol style="list-style-type: none"> <li>1. 確認直流端子極性</li> <li>2. 確認PV panel各組串的開路電壓是否異常</li> <li>3. 請重開直流開關與交流斷路器</li> <li>4. 請聯繫客服人員，尋求技術支援</li> </ol>   |
| String Current Low (W23) | DC端子連接異常   | <ol style="list-style-type: none"> <li>1. 請檢查直流配線與保險絲</li> <li>2. 請聯繫客服人員，尋求技術支援</li> </ol>   |

### 6.4 警告代碼(變流器警告)

表 6-4A: 警告代碼 (變流器警告)

| 資訊顯示                                     | 可能原因  | 故障排除   |
|--|---|--|
| Fan Fail (W11)                           | <ol style="list-style-type: none"> <li>1. 一個或多個風扇鎖死</li> <li>2. 一個或多個風扇無效</li> <li>3. 一個或多個風扇未連接</li> </ol> | <b>外部風扇</b> - <ol style="list-style-type: none"> <li>1. 移除卡在風扇內的對象</li> <li>2. 檢查風扇的連接</li> <li>3. 替換無效的風扇</li> </ol> <b>內部風扇</b> - 請聯繫客服人員，尋求技術支援 |
| DC SPD Fault (W17)<br>AC SPD Fault (W18) | 一個或多個DC/AC SPD無效  | <ol style="list-style-type: none"> <li>1. 檢查DC/AC SPD的連接線</li> <li>2. 更換DC/AC SPD板</li> </ol>  |
| Boost Circuit Fault (W30)                | 升壓電路故障  | 請聯繫客服人員，尋求技術支援   |

## 7 技術資料

表 7-1A: 規格

| Model       | M100A_280 / 283   |
|-------------|---|
| 直流輸入        |   |
| 最大輸入電壓      | 1000 V *1   |
| 工作電壓範圍      | 200 - 1000 V  |
| 滿載 MPP 電壓範圍 | 520 - 840 V *2  |
| 啟動電壓        | > 250 V   |
| 額定電壓        | 610 V   |
| 最大輸入電流      | 30 A / MPPT   |
| 允許最大短路電流    | 50 A / MPPT   |
| 最大輸入功率      | 150 kW  |
| MPPT 數量     | 8   |
| 接頭種類        | Amphenol H4 直連接頭  |
| 雷擊保護        | Type II SPD (標配) ; Type I+II SPD (選配)   |
| 電弧偵測功能      | 標配  |
| 交流輸出        |   |
| 最大輸出視在功率    | 110 kVA   |
| 最大輸出實功率     | 110 kW  |
| 額定輸出功率      | 100 kW @ 50°C ; 110 kW @ 40°C (480 V)<br>100 kW @ 40°C ; 110 kW @ 35°C (400 V)<br>100 kW @ 35°C ; 110 kW @ 25°C (380 V) |
| 最大輸出電流      | 168 A for 380V / 400V / 440V; 133 A for 480V  |
| 額定電壓        | 380V / 400V / 440V / 480V, 3Ø3W or 3Ø4W   |
| 工作電壓範圍      | 80% - 120% 額定電壓   |
| 夜間虛功功能      | 66 kVAR   |
| 工作頻率範圍      | 50 / 60Hz ± 5Hz   |
| 功率因數 (可調)   | 0.8 ind - 0.8 cap   |
| 雷擊保護        | Type II SPD   |
| T.H.D       | < 3% at Rated output current  |
| 線材連接方式      | 端子台形式, Max. 240 mm <sup>2</sup> 銅/鋁導線   |
| 夜間耗電 *3     | < 3.5 W   |

\*1 本產品可承受最高電壓為1100Vdc, 但超過1000Vdc時變流器會停止輸出。

\*2 環境溫度 &lt; 25°C: 470~860Vdc; 環境溫度 &lt; 30°C: 470~860Vdc; 環境溫度 &lt; 40°C: 520~580Vdc

\*3 使用RS-485通訊情況下

表 7-1B: 規格

| Model          |  | M100A_280 / 283                        |  |
|----------------|--|--|--|
| 效率             |  |  |  |
| 最高效率           | 98.7 % @AC 400 V / 98.8 % @AC 480 V                |  |  |
| 歐洲效率           | 98.4 % @AC 400 V / 98.5 % @AC 480 V                |  |  |
| 資訊             |  |  |  |
| 通訊介面           | RS-485 / 藍牙  |  |  |
| 規範認證           |  |  |  |
| 併網認證           | IEC 62109-1/-2<br>IEC 62116<br>EN 61000-6-2<br>VPC | IEC 61727<br>IEC 61683<br>EN 61000-6-3 |  |
| 一般數據           |  |  |  |
| 操作溫度範圍         | -25 to +60°C (超過 40°C 智慧降載)                        |  |  |
| 防水防塵等級         | IP66   |  |  |
| 操作海拔範圍         | < 4000 m   |  |  |
| 冷卻模式           | Smart fan air cooling                              |  |  |
| 噪音             | 65.2 dBA @1m, Amb25°C                              |  |  |
| 尺寸 (W x H x D) | 699 x 629 x 264 mm                                 |  |  |
| 重量             | 80 kg  |  |  |

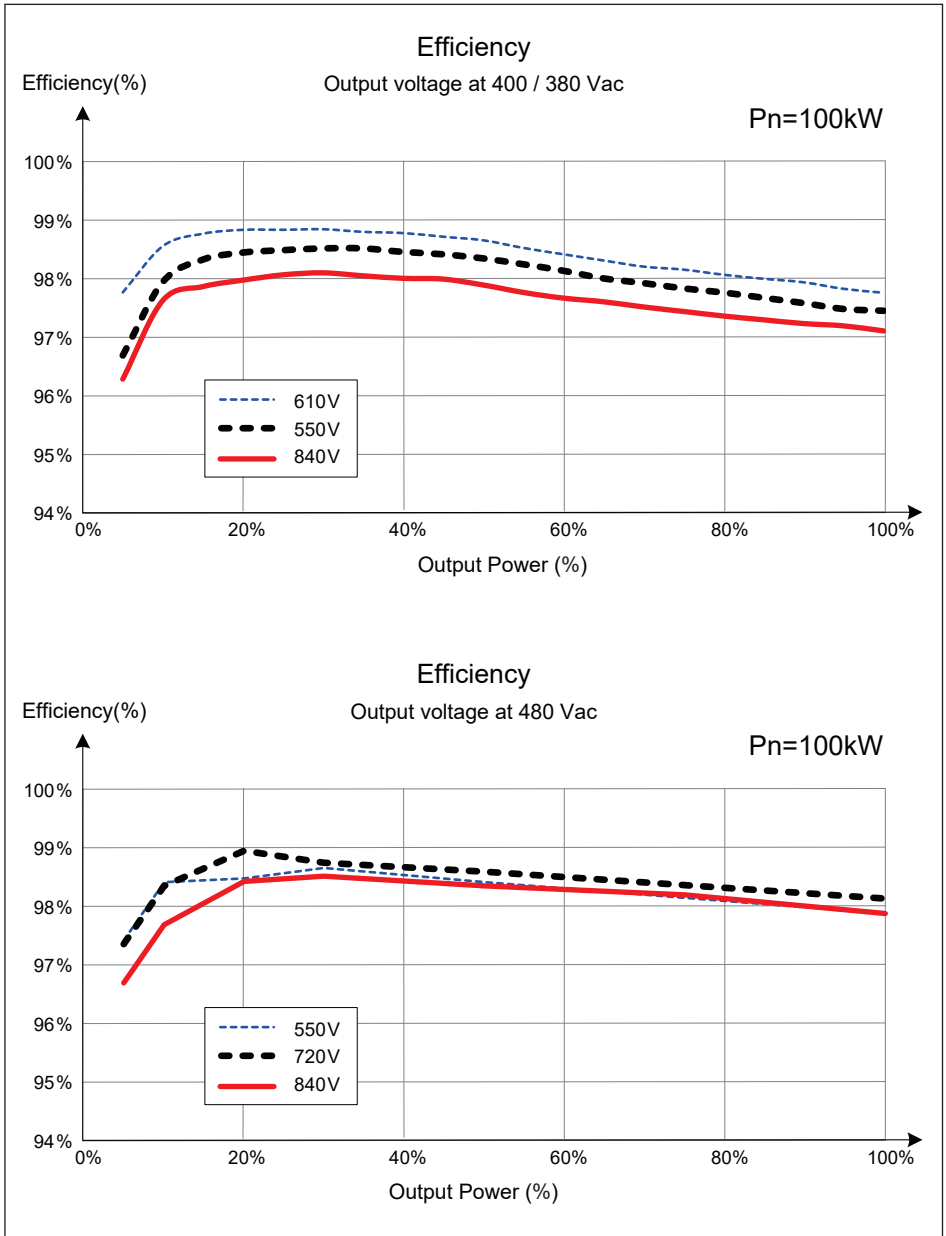


圖 7-1: 效率曲線圖

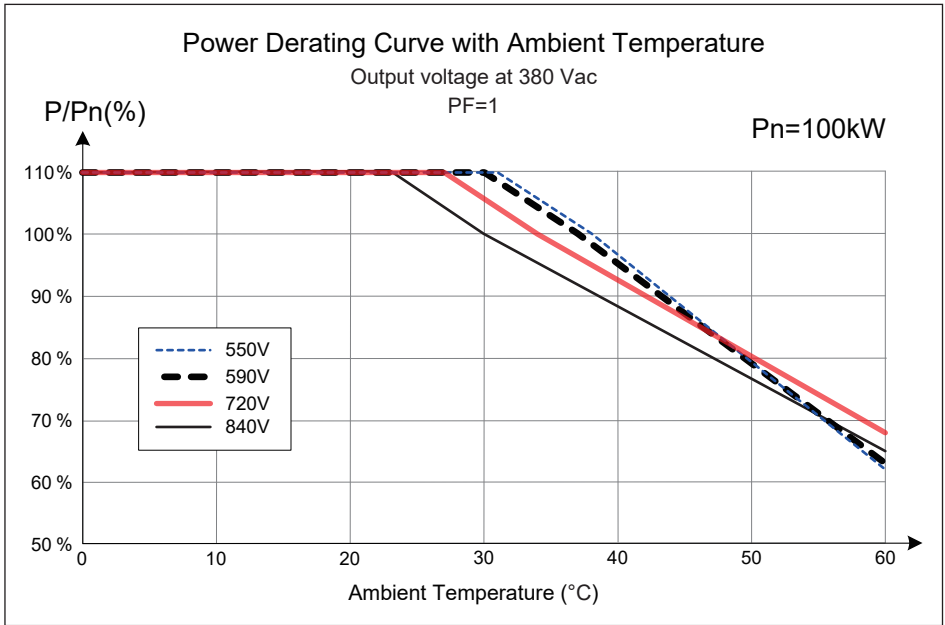


圖 7-2: 環溫對應降額曲線圖(380 Vac)

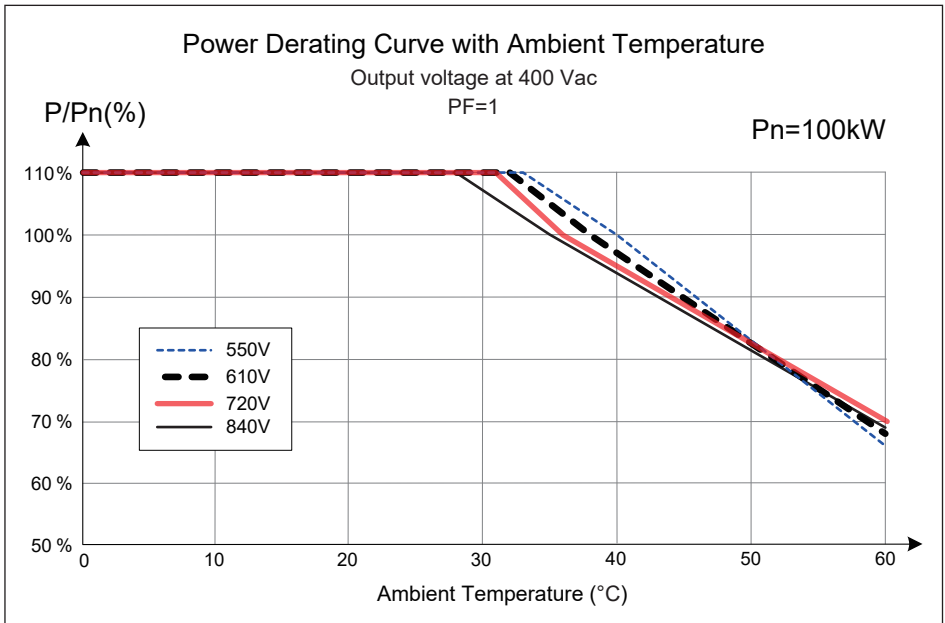


圖 7-3: 環溫對應降額曲線圖(400 Vac)



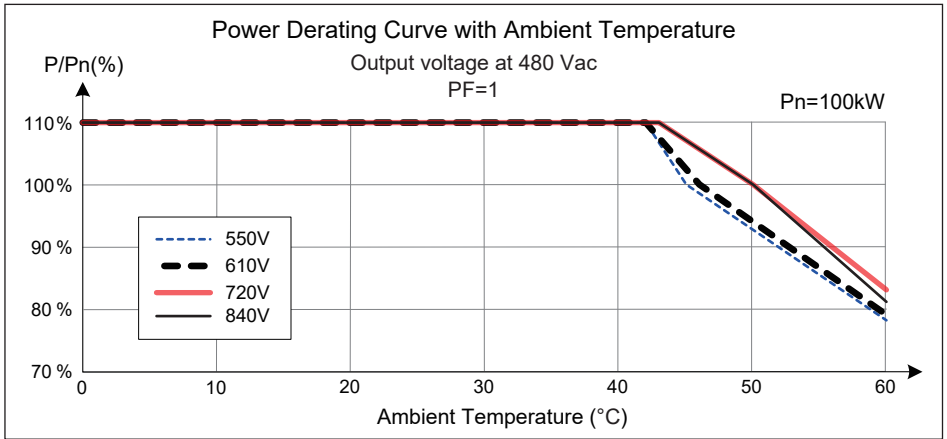


圖 7-4: 環溫對應降額曲線圖(480 Vac)

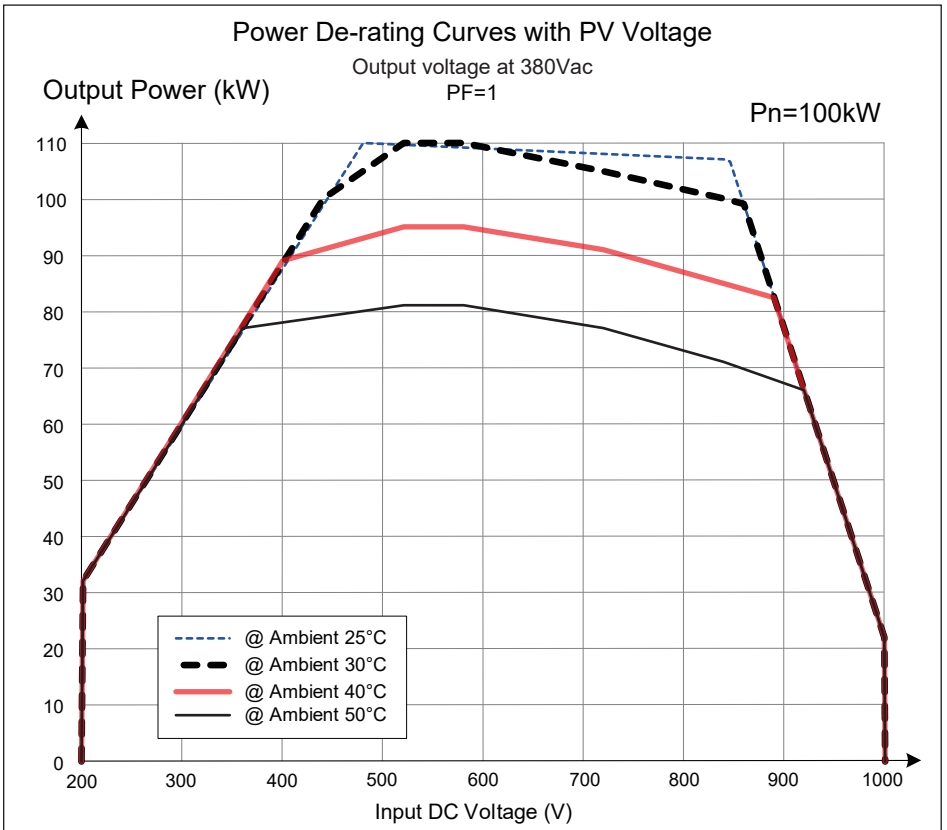


圖 7-5: 環境溫度對應輸出能力降額曲線(380 Vac)

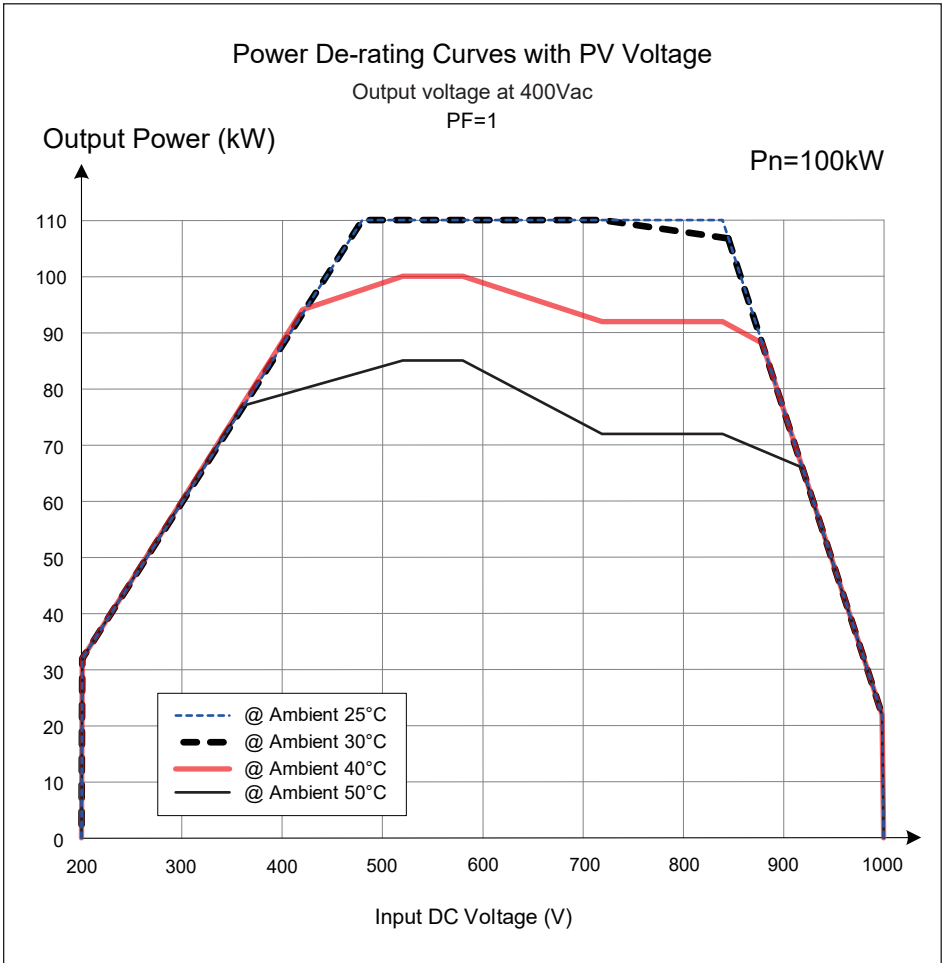


圖 7-6: 環境溫度對應輸出能力降額曲線(400 Vac)

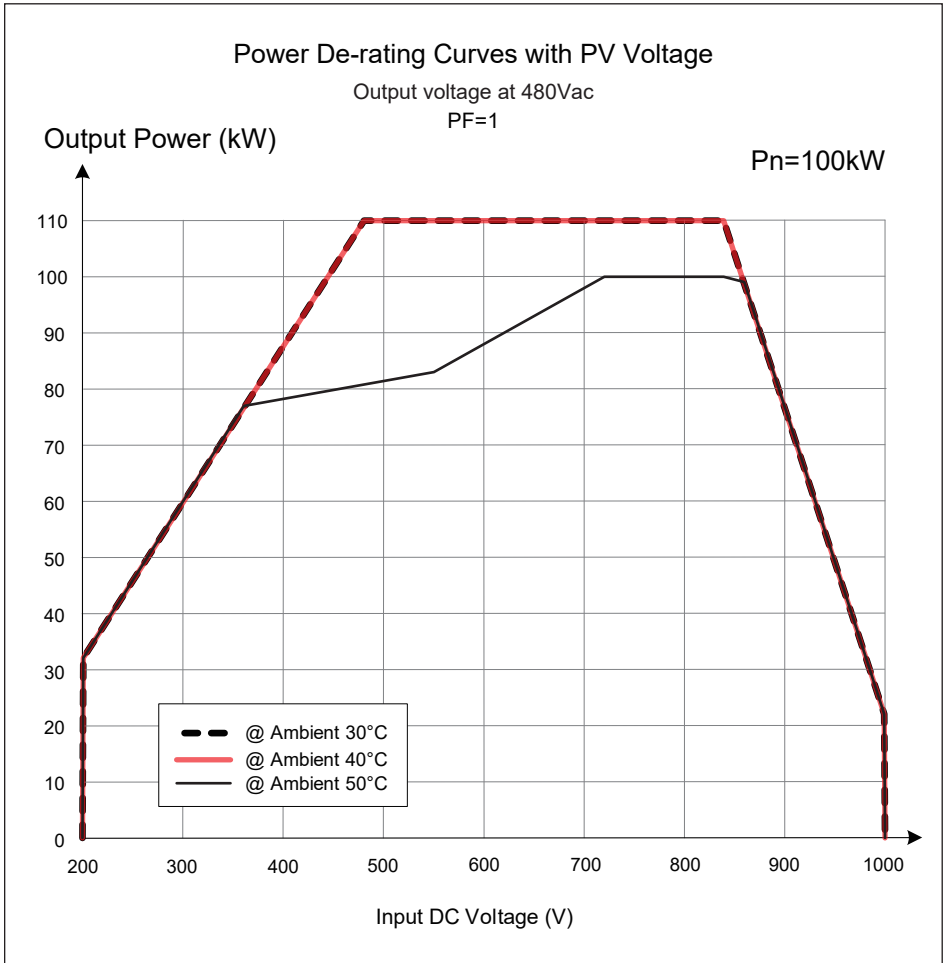
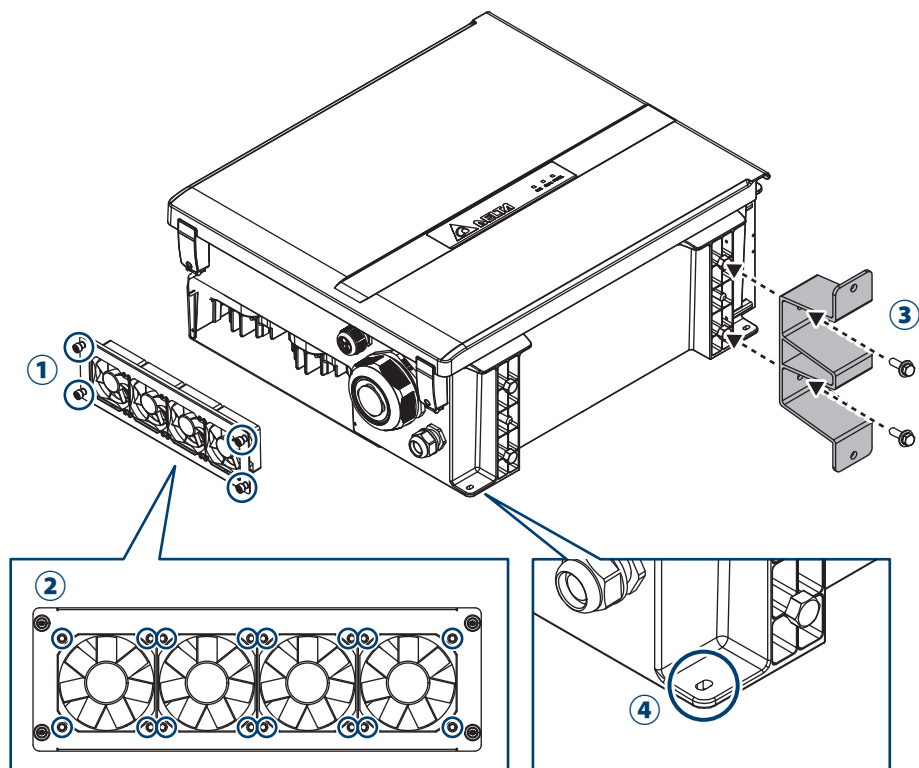


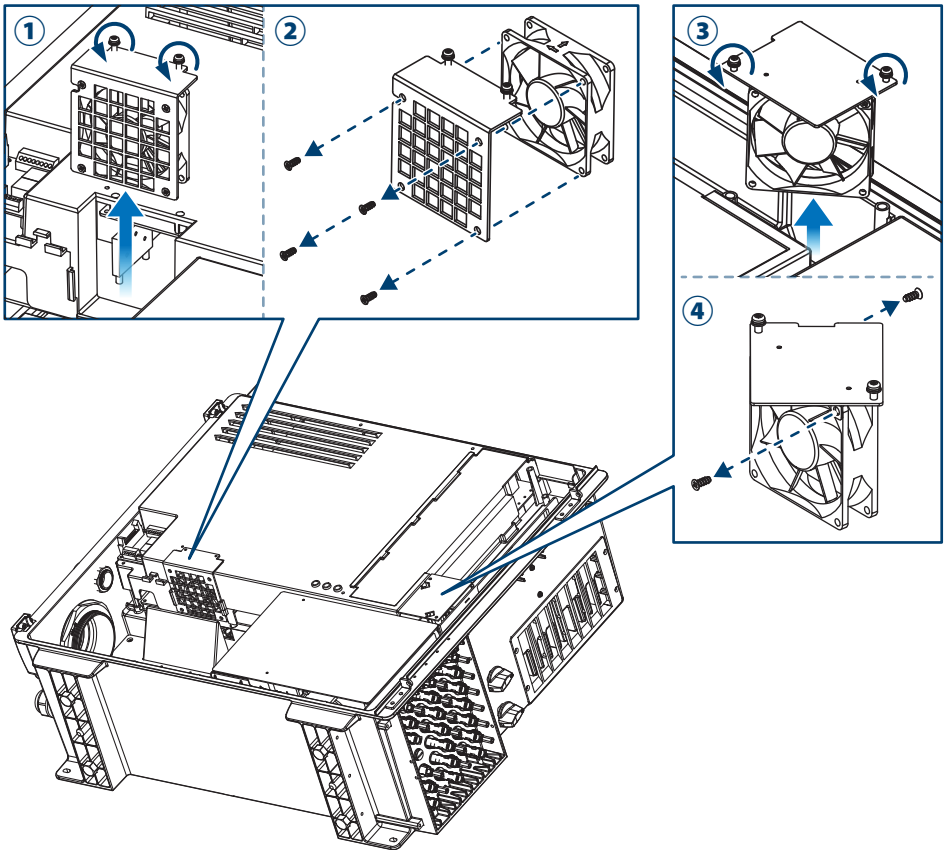
圖 7-6: 環境溫度對應輸出能力降額曲線(480 Vac)

## 附錄: 組裝說明



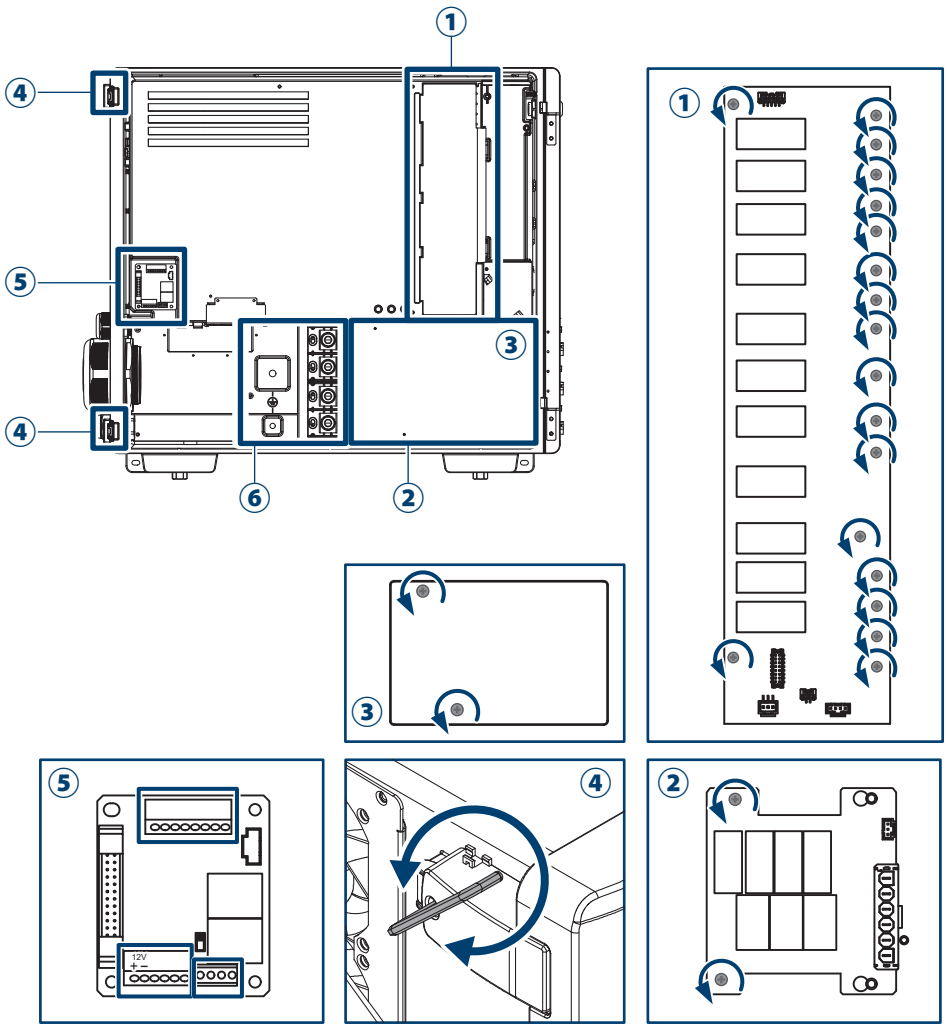
附錄-1: 組裝說明-1

| NO | 位置        | 螺絲扭力                 |
|----|-----------|----------------------|
| 1  | 濾網外蓋      | 14 kgf-cm (1.4N·m)   |
| 2  | 風扇托盤      | 6 kgf-cm (0.6N·m)    |
| 3  | 落地支架      | 250 kgf-cm (24.5N·m) |
| 4  | 設備接地 (M8) | 102 kgf-cm (10N·m)   |



附錄-2: 組裝說明-2

| NO | 位置       | 螺絲扭力                  |
|----|----------|-----------------------|
| 1  | 內部風扇架 2  | 8.0 kgf-cm (0.8N · m) |
| 2  | 內部風扇組件 2 | 6.0 kgf-cm (0.6N · m) |
| 3  | 內部風扇架 1  | 8.0 kgf-cm (0.8N · m) |
| 4  | 內部風扇組件 1 | 6.0 kgf-cm (0.6N · m) |



附錄-3: 組裝說明-3

| NO | 位置        | 螺絲扭力                 | 導體橫截面   |
|----|-----------|----------------------|---|
| 1  | 直流側雷擊保護裝置 | 8.0 kgf-cm (0.8 N·m) | -   |
| 2  | 交流側雷擊保護裝置 | 8.0 kgf-cm (0.8 N·m) | -   |
| 3  | 交流絕緣蓋     | 8.0 kgf-cm (0.8 N·m) | -   |
| 4  | 鎖扣外蓋      | 25 kgf-cm (2.45 N·m) | -   |
| 5  | 通訊模組      | -                    | 20 AWG (0.5mm <sup>2</sup> )  |
| 6  | 交流端子      | L1,L2,L3,N           | Cu: 70 mm <sup>2</sup> (3/0 AWG) ~ 240 mm <sup>2</sup> (470 kcmil)<br>Al: 120 mm <sup>2</sup> (4/0 AWG) ~ 240 mm <sup>2</sup> (470 kcmil) |
|    |           | PE                   |   |



