



PLC 100 Converter

PLC converter for Delta solar inverters with PLC communication interface



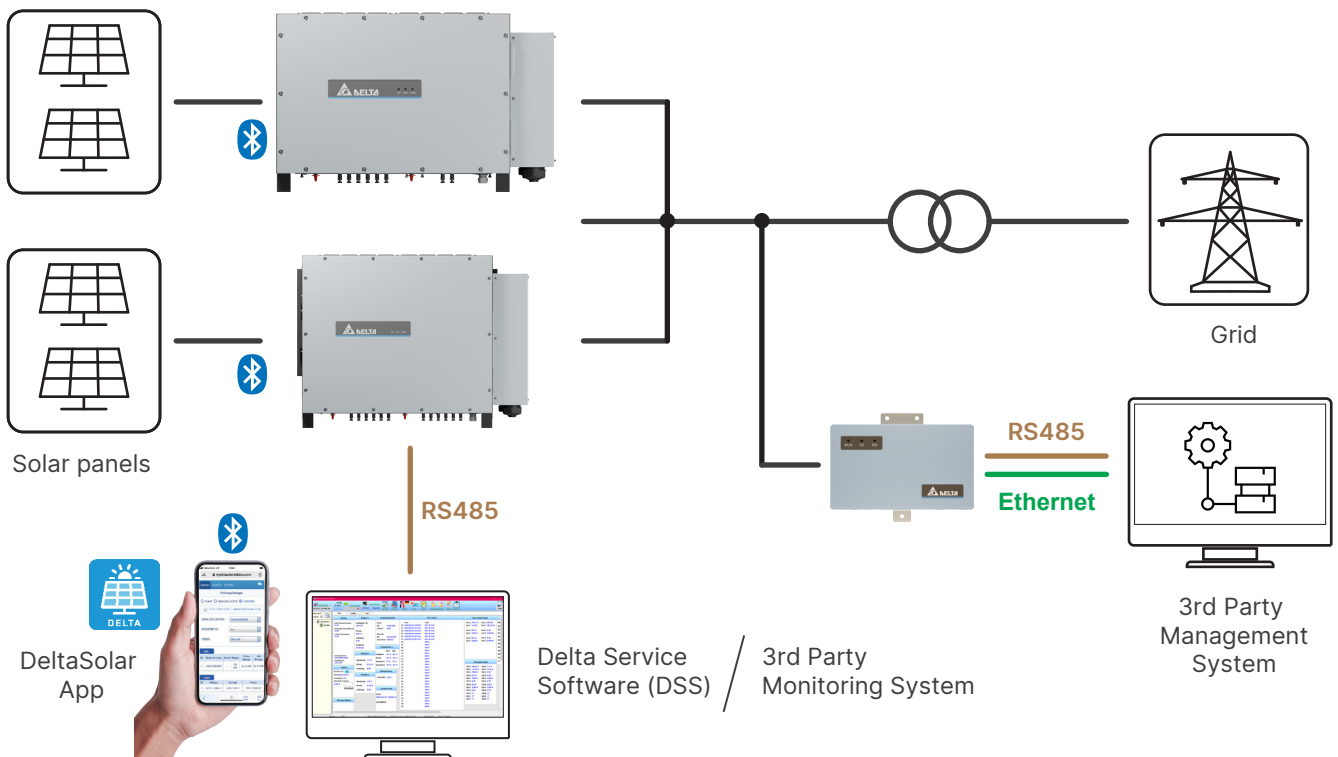
Utility-scale

PLC communication

- Compatible with M225HV / M350HV inverters
- Easy connection to monitoring systems
- Reduced cabling costs due to PLC
- PLC transmission distance up to 1000 m

PLC 100 Converter

Electrical specifications	PLC 100
Power supply	12 VDC
Power consumption	5 W
General specifications	PLC 100
Delta model name	PPM PLC_100
Operating temperature range	-20 to +60°C
Storage temperature range	-30 to +70°C
Relative humidity	5 to 95%, non-condensing
Maximum operating altitude	4,000 m (above sea level)
Protection degree	IP20
Mechanical design	PLC 100
Physical dimensions (H x W x D)	131.4 × 173.6 × 49.7 mm
Weight	370 g
Mounting options	Wall mounting, DIN rail
Communication	PLC 100
Communication interfaces	2 x RS485, 1 x Ethernet, 1 x PLC
Max. number of connectable Delta inverters	20
PLC bandwidth	0.5 to 1.2 MHz
Display of operating status	3 LEDs



Email: solarsales.emea@deltaww.com

Telephone: +49 7641 455 547 (phone number in Germany)