

1

2

3

4

REV. ECN NO.

A

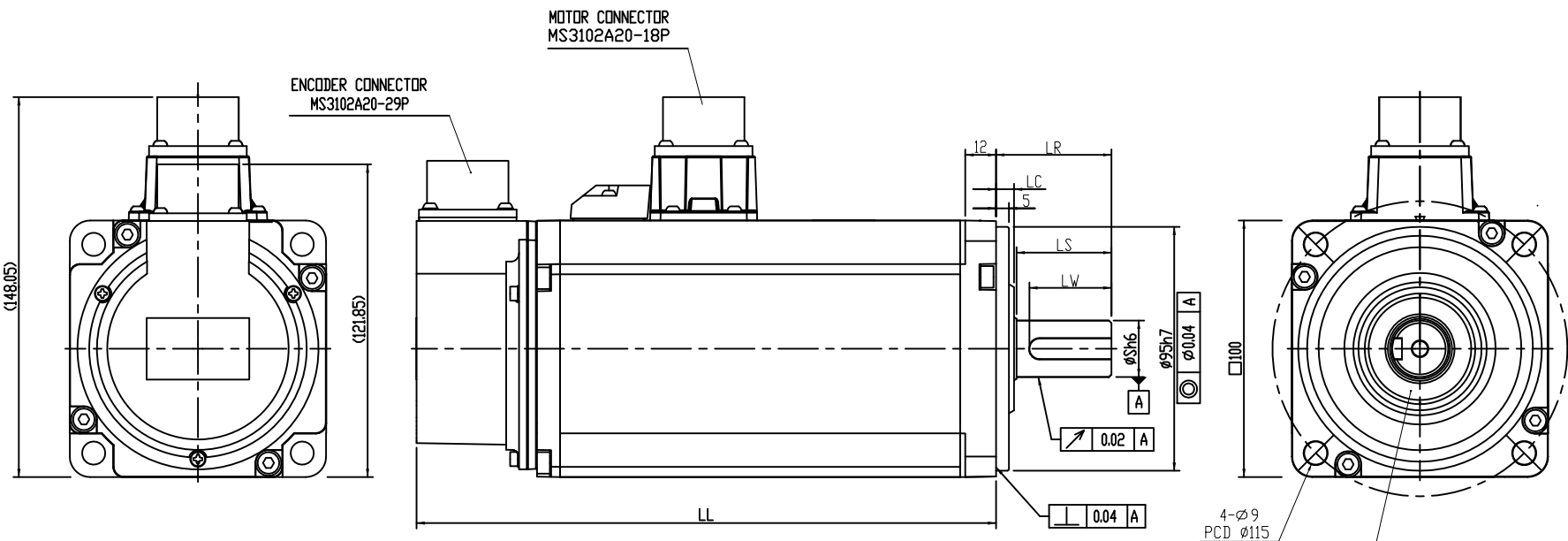
A

B

B

C

C



MOTOR CONNECTOR MS3102A20-18P

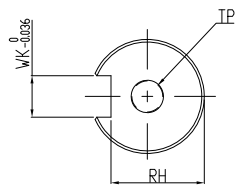
ENCODER CONNECTOR MS3102A20-29P

4-ø9 PCD 115

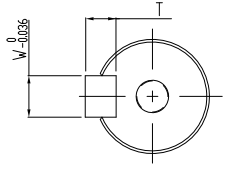
OIL SEAL(TC TYPE) ONLY FOR OIL-SEAL MODEL

DIMENSION TABLE (MODEL WITH BRAKE)

MODEL	LL	LR	LS	LC	S	LW	WK	W	T	RH	TP
ECMA-C1010BS	192.5	45	37.0	7	22	—	—	—	—	—	M6, Depth 20
ECMA-C1010DS						32	8	8	7	18	—
ECMA-C1010FS						32	8	8	7	18	M6, Depth 20
ECMA-C1010HS						—	—	—	—	—	M6, Depth 20
ECMA-C1010QS						—	—	—	—	—	M6, Depth 20
ECMA-C1020BS	226	45	37.0	7	22	—	—	—	—	—	M6, Depth 20
ECMA-C1020DS						32	8	8	7	18	—
ECMA-C1020FS						32	8	8	7	18	M6, Depth 20
ECMA-C1020HS						—	—	—	—	—	M6, Depth 20
ECMA-C1020QS						—	—	—	—	—	M6, Depth 20



SHAFT END DETAILS



KEY DETAILS

2

3

4

台達電子工業股份有限公司 DELTA ELECTRONICS, INC.	DRAWN:	DESIGN:
	APPROVE:	DATE: 10/21/2013
THESE DRAWINGS AND SPECIFICATIONS ARE THE PROPERTY OF DELTA ELECTRONICS, INC. AND SHALL NOT BE REPRODUCED OR USED AS THE BASIS FOR THE MANUFACTURE OR SELL OF APPARATUS OR DEVICES WITHOUT PERMISSION.	DIMENSIONAL TOLERANCES () () () () ANGLES DECIMALS <50 ±0.1 <50 ±0.15 <50 ±0.2 <30° ±0.1° X ±0.3 >50-100 ±0.15 >50-100 ±0.2 >50-100 ±0.25 >30°-60±0.3° X.X ±0.2 >100-200 ±0.2 >100-200 ±0.25 >100-200 ±0.3 >60°-90±0.5° X.XX ±0.1 >200 ±0.2 >200 ±0.25 >200 ±0.3	
	DESCRIPTION: CONFIDENTIAL MOTOR_F100_BRAKE	A3 SIZE THIRD ANGLE PROJECTION
USED ON	UNIT mm	SHEET 1 OF 1