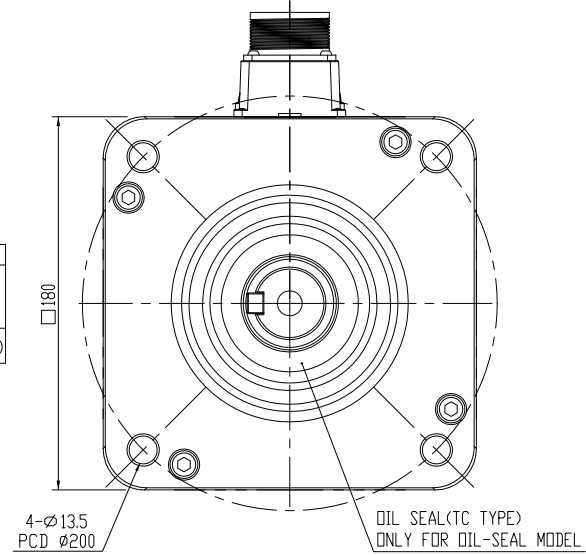
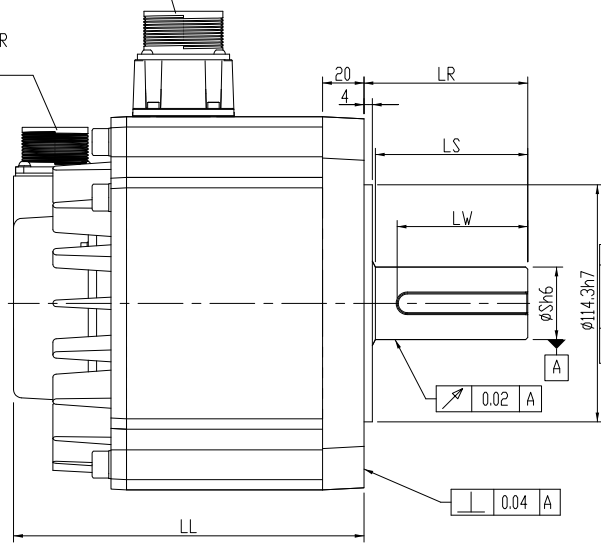


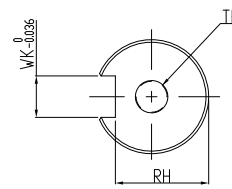
ENCODER CONNECTOR
MS3102A20-29P

MOTOR CONNECTOR
MS3102A24-11P

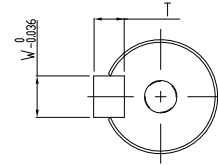


DIMENSION TABLE (MODEL WITHOUT BRAKE)

MODEL	LL	LR	LS	S	LW	WK	W	T	RH	TP
ECMA-E□1820AS	169				---	---	---	---	---	M12, Depth 25
ECMA-E□1820CS					63	10	10	8	30	
ECMA-E□1820PS					63	10	10	8	30	
ECMA-E□1820RS	202.1	79	73	35	---	---	---	---		
ECMA-F□1830AS					63	10	10	8	30	
ECMA-F□1830CS					63	10	10	8	30	
ECMA-F□1830PS	202.1	79	73	35	---	---	---	---		
ECMA-F□1830RS					63	10	10	8	30	
ECMA-E□1830AS					63	10	10	8	30	
ECMA-E□1830CS	202.1	79	73	35	---	---	---	---		
ECMA-E□1830PS					63	10	10	8	30	
ECMA-E□1830RS					63	10	10	8	30	
ECMA-E□1835AS	235.3				---	---	---	---		
ECMA-E□1835CS					63	10	10	8	30	
ECMA-E□1835PS					63	10	10	8	30	
ECMA-E□1835RS	235.3				---	---	---	---		
ECMA-F□1845AS					63	10	10	8	30	
ECMA-F□1845CS					63	10	10	8	30	
ECMA-F□1845PS	235.3				---	---	---	---		
ECMA-F□1845RS					63	10	10	8	30	



SHAFT END DETAILS



KEY DETAILS

台達電子工業股份有限公司 DELTA ELECTRONICS, INC.		DRAWN:	DESIGN:
THESE DRAWINGS AND SPECIFICATIONS ARE THE PROPERTY OF DELTA ELECTRONICS, INC. AND SHALL NOT BE REPRODUCED OR USED AS THE BASIS FOR THE MANUFACTURE OR SELL OF APPARATUS OR DEVICES WITHOUT PERMISSION.		APPROVE:	DATE: 10/21/2013
DIMENSIONAL TOLERANCES () () () () ANGLES DECIMALS <50 ±0.1 <50 ±0.15 <50 ±0.2 <30° ±0.1° ±0.3 >50-100 ±0.15 >50-100 ±0.2 >50-100 ±0.25 >30°-60° ±0.3° ±0.2 >100-200 ±0.2 >100-200 ±0.25 >100-200 ±0.3 >60°-90° ±0.5° X.XX ±0.1 >200 ±0.2 >200 ±0.25 >200 ±0.3		DESCRIPTION: MOTOR_F180_1.5~4.5KW	PART NO.: CONFIDENTIAL
USED ON:	UNIT: mm	SCALE:	SHEET 1 OF 1
			REV. 00