

1

2

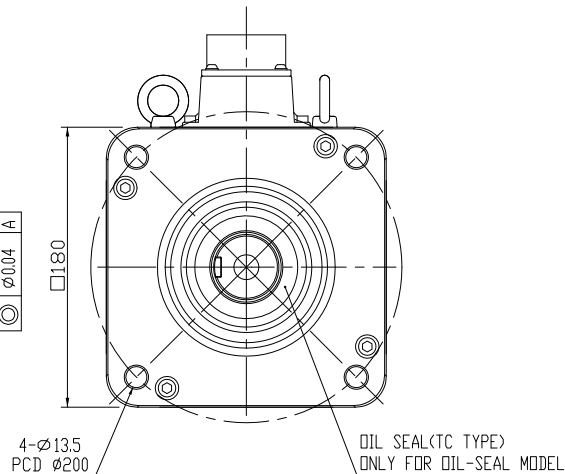
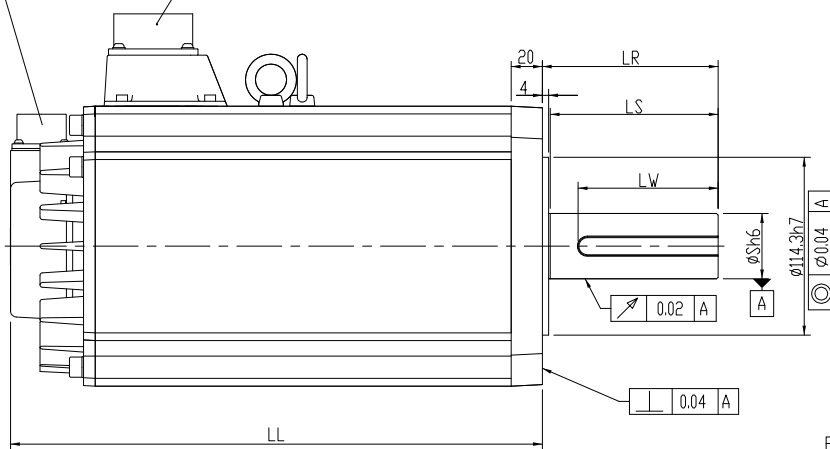
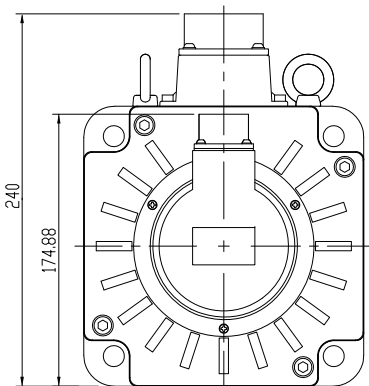
3

4

REV. ECN NO.

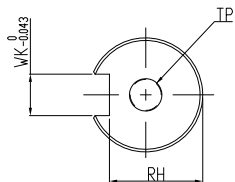
ENCODER CONNECTOR
MS3102A20-29P

MOTOR CONNECTOR
WPS3102A32-17P

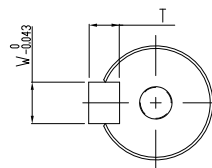


DIMENSION TABLE (MODEL WITHOUT BRAKE)

MODEL	LL	LR	LS	S	LW	WK	W	T	RH	TP
ECMA-F□1855A3	279.7	113	108.5	42	---	---	---	---	---	MI6, Depth 32
ECMA-F□1855C3					90	12	12	8	37	
ECMA-F□1855P3					---	---	---	---	---	
ECMA-F□1855R3					90	12	12	8	37	
ECMA-F□1875A3	342	113	108.5	42	---	---	---	---	MI6, Depth 32	
ECMA-F□1875C3					90	12	12	8		37
ECMA-F□1875P3					---	---	---	---		---
ECMA-F□1875R3					90	12	12	8		37



SHAFT END DETAILS



KEY DETAILS

A

A

B

B

C

C

2

3

4

台達電子工業股份有限公司 DELTA ELECTRONICS, INC.	DRAWN:	DESIGN:
	APPROVE:	DATE: 10/21/2013
THESE DRAWINGS AND SPECIFICATIONS ARE THE PROPERTY OF DELTA ELECTRONICS, INC. AND SHALL NOT BE REPRODUCED OR USED AS THE BASIS FOR THE MANUFACTURE OR SELL OF APPARATUS OR DEVICES WITHOUT PERMISSION.	DIMENSIONAL TOLERANCES () () () () ANGLES DECIMALS <50 ±0.1 <50 ±0.15 <50 ±0.2 <30° ±0.1° ±0.3 >50-100 ±0.15 >50-100 ±0.2 >50-100 ±0.25 >30°-60 ±0.3° ±0.2 >100-200 ±0.2 >100-200 ±0.25 >100-200 ±0.3 >60°-90 ±0.5° X.XX ±0.1 >200 ±0.2 >200 ±0.25 >200 ±0.3	
	DESCRIPTION: CONFIDENTIAL MOTOR_F180_5.5~7.5KW	PART NO.:
USED ON	UNIT: mm	SHEET 1 OF 1