

1

2

3

4

REV.	ECN NO.
00	-----

A

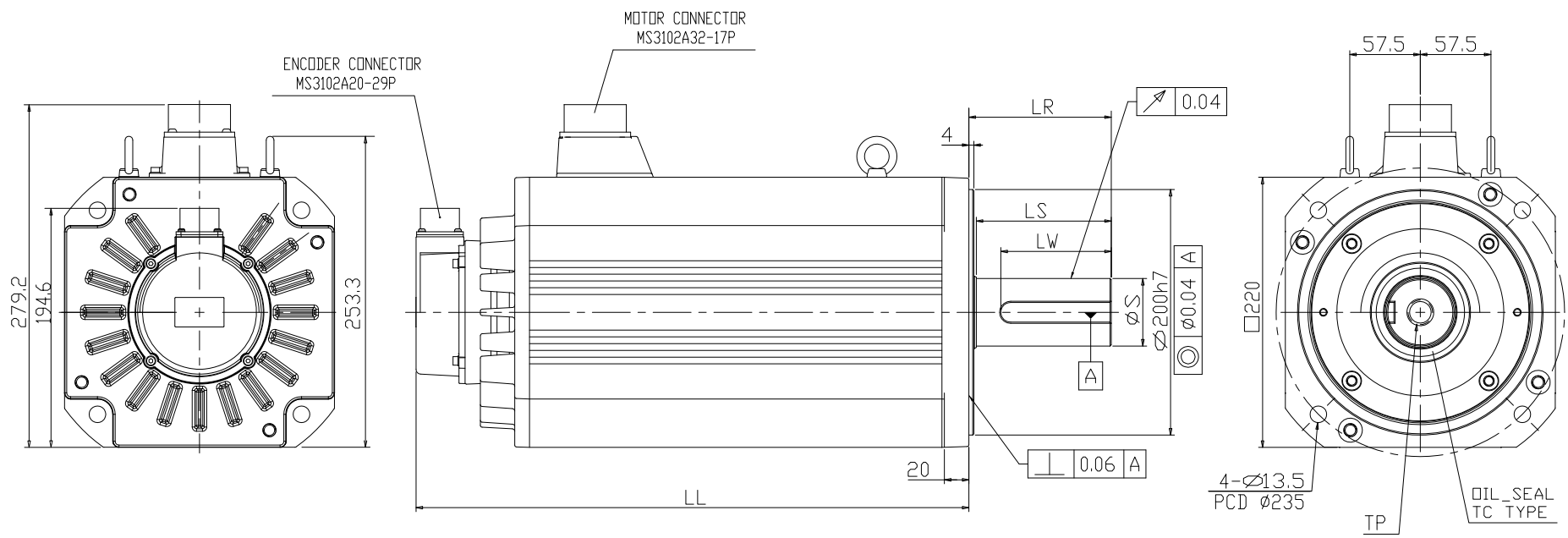
A

B

B

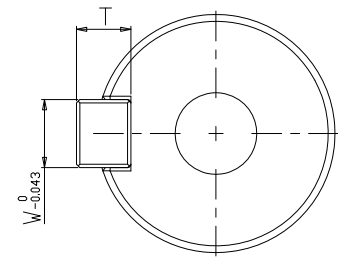
C

C

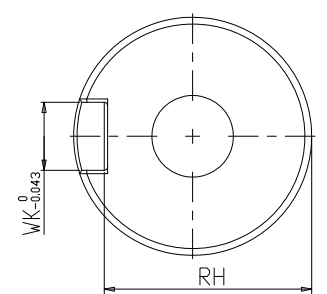


DIMENSION TABLE (MODEL WITHOUT BRAKE)

MODEL	LL	LR	LS	LW	S	WK	W	T	RH	TP
ECMA-F□221BP3	371.4	116	110	90	42 ⁰ _{-0.016}	12	12	8	37	M16,Depth 32
ECMA-F□221BR3	371.4	116	110	90	42 ⁰ _{-0.016}	12	12	8	37	M16,Depth 32
ECMA-F□221FPS	450.4	116	110	90	55 ^{+0.03} _{+0.011}	16	16	10	49	M20,Depth 40
ECMA-F□221FRS	450.4	116	110	90	55 ^{+0.03} _{+0.011}	16	16	10	49	M20,Depth 40



KEY DETAILS



SHAFT END DETAILS

台達電子工業股份有限公司 DELTA ELECTRONICS, INC.	DRAWN:	DESIGN:
	DATE: 05/12/2016	ECN NO.:
THESE DRAWINGS AND SPECIFICATIONS ARE THE PROPERTY OF DELTA ELECTRONICS, INC. AND SHALL NOT BE REPRODUCED OR USED AS THE BASIS FOR THE MANUFACTURE OR SELL OF APPARATUS OR DEVICES WITHOUT PERMISSION.	DIMENSIONAL TOLERANCES () () () ANGLES DECIMALS 0-4 ±0.05 <50 ±0.1 <50 ±0.5 <30° ±0.1° X ±0.3 4-16 ±0.08 >50-100 ±0.15 >50-100 ±1.0 >30°-60° ±0.3° X.X ±0.2 16-63 ±0.12 >100-200 ±0.2 >100-200 ±1.5 >60°-90° ±0.5° X.XX ±0.1 63-200 ±0.2 >200° ±0.2° >200° ±0.3°	
DRAWING NAME: MOTOR F220	A3 SIZE THIRD ANGLE PROJECTION	PART NO.:
USED ON	UNIT mm	SCALE 0.280 SHEET 1 OF 1
		REV. 00

1

2

3

4