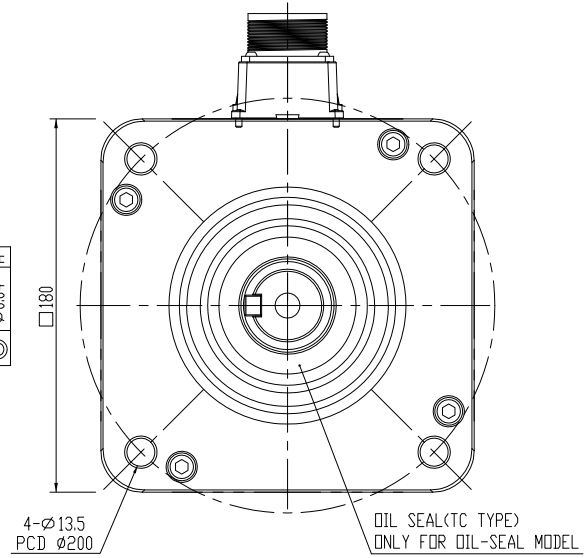
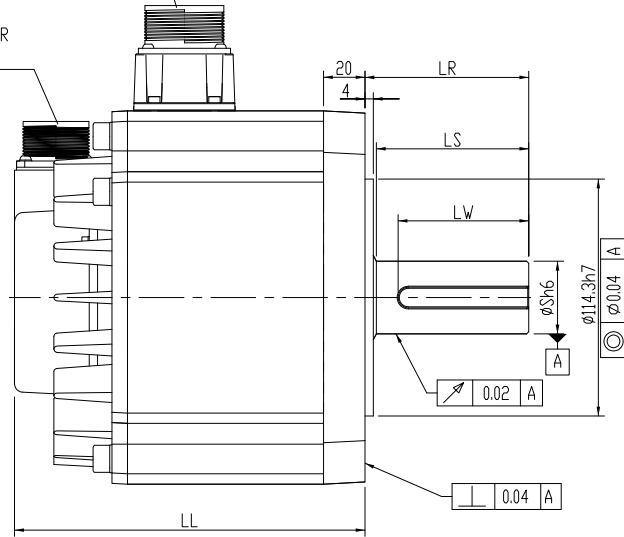


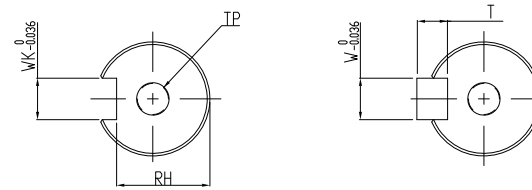
ENCODER CONNECTOR
MS3102A20-29P

MOTOR CONNECTOR
MS3102A24-11P



DIMENSION TABLE (MODEL WITHOUT BRAKE)

MODEL	LL	LR	LS	S	LW	WK	W	T	RH	TP
ECMA-K□1820AS	169				---	---	---	---	---	M12, Depth 25
ECMA-K□1820CS					63	10	10	8	30	
ECMA-K□1820PS					---	---	---	---	---	
ECMA-K□1820RS					---	---	---	---	---	
ECMA-L□1830AS	202.1	79	73	35	---	---	---	---		
ECMA-L□1830CS					63	10	10	8	30	
ECMA-L□1830PS					---	---	---	---	---	
ECMA-L□1830RS					---	---	---	---	---	
ECMA-L□1845AS	235.3				---	---	---	---		
ECMA-L□1845CS					63	10	10	8	30	
ECMA-L□1845PS					---	---	---	---	---	
ECMA-L□1845RS					---	---	---	---	---	



SHAFT END DETAILS

KEY DETAILS

台達電子工業股份有限公司 DELTA ELECTRONICS, INC.		DRAWN:	DESIGN:
THESE DRAWINGS AND SPECIFICATIONS ARE THE PROPERTY OF DELTA ELECTRONICS, INC. AND SHALL NOT BE REPRODUCED OR USED AS THE BASIS FOR THE MANUFACTURE OR SELL OF APPARATUS OR DEVICES WITHOUT PERMISSION.		APPROVE:	DATE: 10/21/2013
DIMENSIONAL TOLERANCES () () () ANGLES DECIMALS <math><50</math> ± 0.1 <math><50</math> ± 0.15 <math><50</math> ± 0.2 <math><30^{\circ}</math> $\pm 0.1^{\circ}$ X ± 0.3 >50-100 ± 0.15 >100-100 ± 0.2 >50-100 ± 0.25 >100-100 $\pm 0.3^{\circ}$ X.X ± 0.2 >100-200 ± 0.2 >100-200 ± 0.25 >100-200 ± 0.3 >60^{\circ}-90 $\pm 0.5^{\circ}$ X.XX ± 0.1 >200- ± 0.2 >200- ± 0.25 >200- ± 0.3		DESCRIPTION: CONFIDENTIAL MOTOR_F180_1.5~4.5KW_380V	
USED ON:	UNIT: mm	SCALE:	SHEET 1 OF 1
PART NO.:		REV. 00	