

1

2

3

4

REV. ECN NO.

A

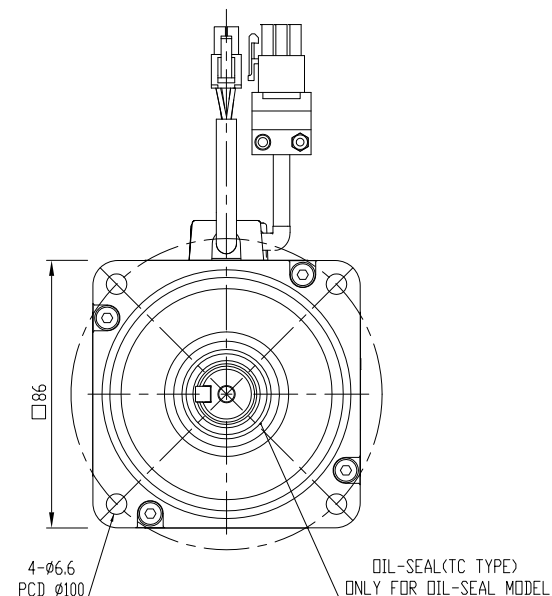
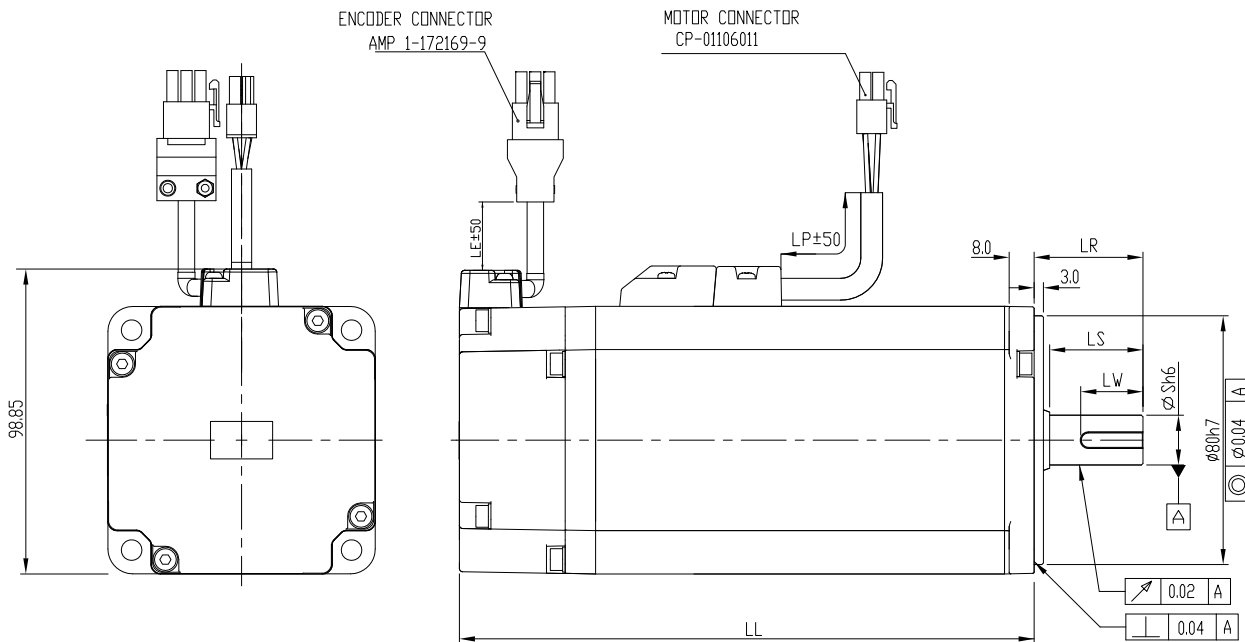
A

B

B

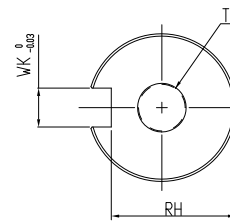
C

C

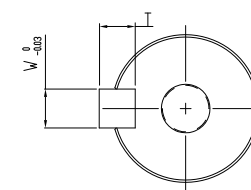


DIMENSION TABLE (MODEL WITH BRAKE)

MODEL	LL	LR	LS	S	LW	WK	W	T	RH	TP	LP	LE
ECMA-J□0910BS	184.3	35.0	30	16	—	—	—	—	—	M5, Depth 15	300	300
ECMA-J□0910DS					20	5	5	5	13	M5, Depth 15		
ECMA-J□0910QS					20	5	5	5	13	M5, Depth 15		
ECMA-J□0910SS	161.3	35.0	30	16	—	—	—	—	—	M5, Depth 15	300	300
ECMA-J□0907BS					20	5	5	5	13	M5, Depth 15		
ECMA-J□0907DS					20	5	5	5	13	M5, Depth 15		
ECMA-J□0907QS	20	5	5	5	13	M5, Depth 15						
ECMA-J□0907SS												



SHAFT END DETAILS



KEY DETAILS

2

3

4

台達電子工業股份有限公司 DELTA ELECTRONICS, INC.	DRAWN:	DESIGN:
	APPROVE:	DATE: 10/21/2013
THESE DRAWINGS AND SPECIFICATIONS ARE THE PROPERTY OF DELTA ELECTRONICS, INC. AND SHALL NOT BE REPRODUCED OR USED AS THE BASIS FOR THE MANUFACTURE OR SELL OF APPARATUS OR DEVICES WITHOUT PERMISSION.	DIMENSIONAL TOLERANCES () () () ANGLES DECIMALS <50 ±0.1 <50 ±0.15 <50 ±0.2 <30° ±0.1° ±0.3 >50-100 ±0.15 >50-100 ±0.2 >50-100 ±0.25 >30°-60° ±0.3° ±0.2 >100-200 ±0.2 >100-200 ±0.25 >100-200 ±0.3 >60°-90° ±0.5° X.XX ±0.1 >200 ±0.2% >200 ±0.25% >200 ±0.3%	
	DESCRIPTION: CONFIDENTIAL MOTOR_F86_380_BRAKE	PART NO.:
USED ON	UNIT: mm	SHEET 1 OF 1

00