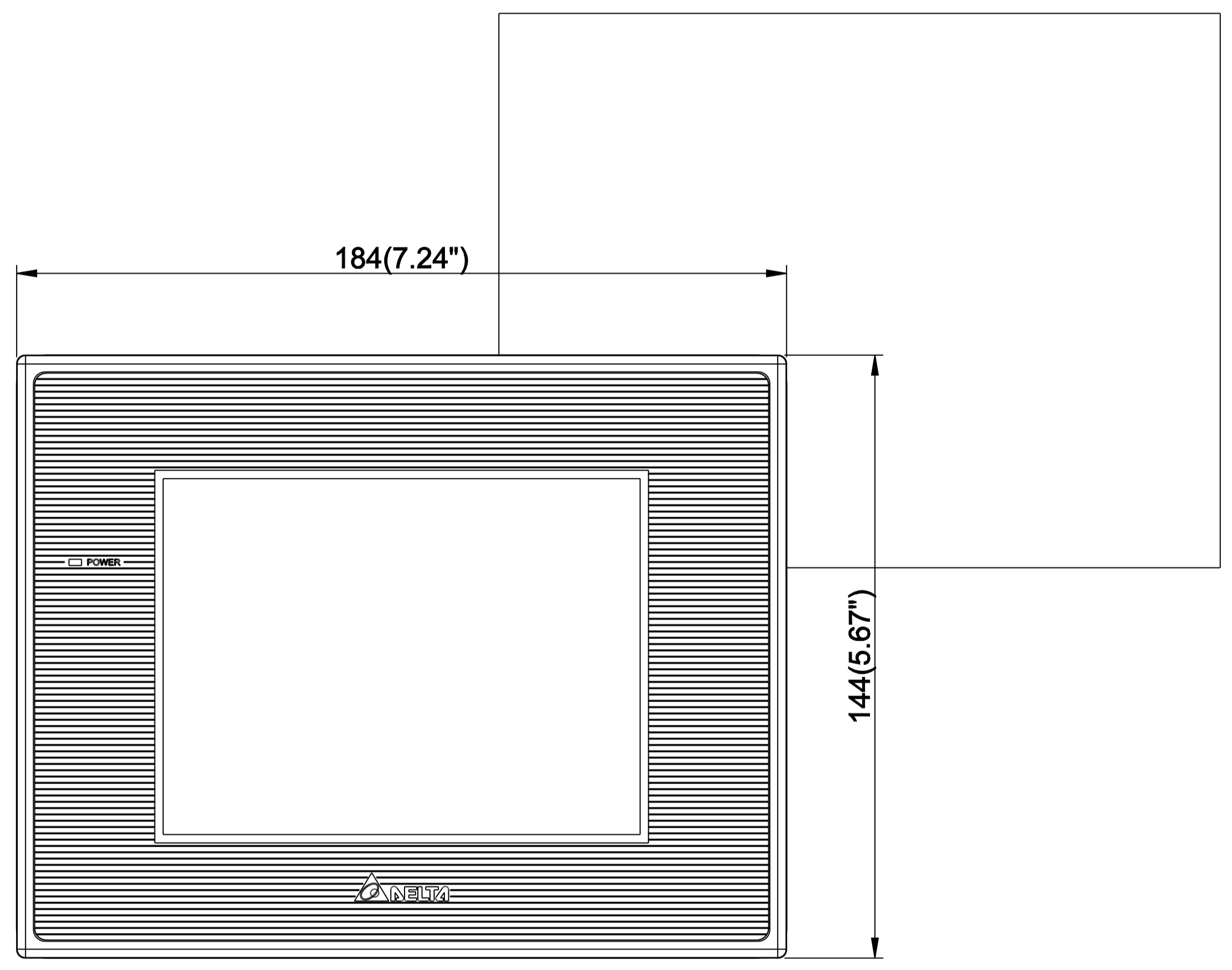
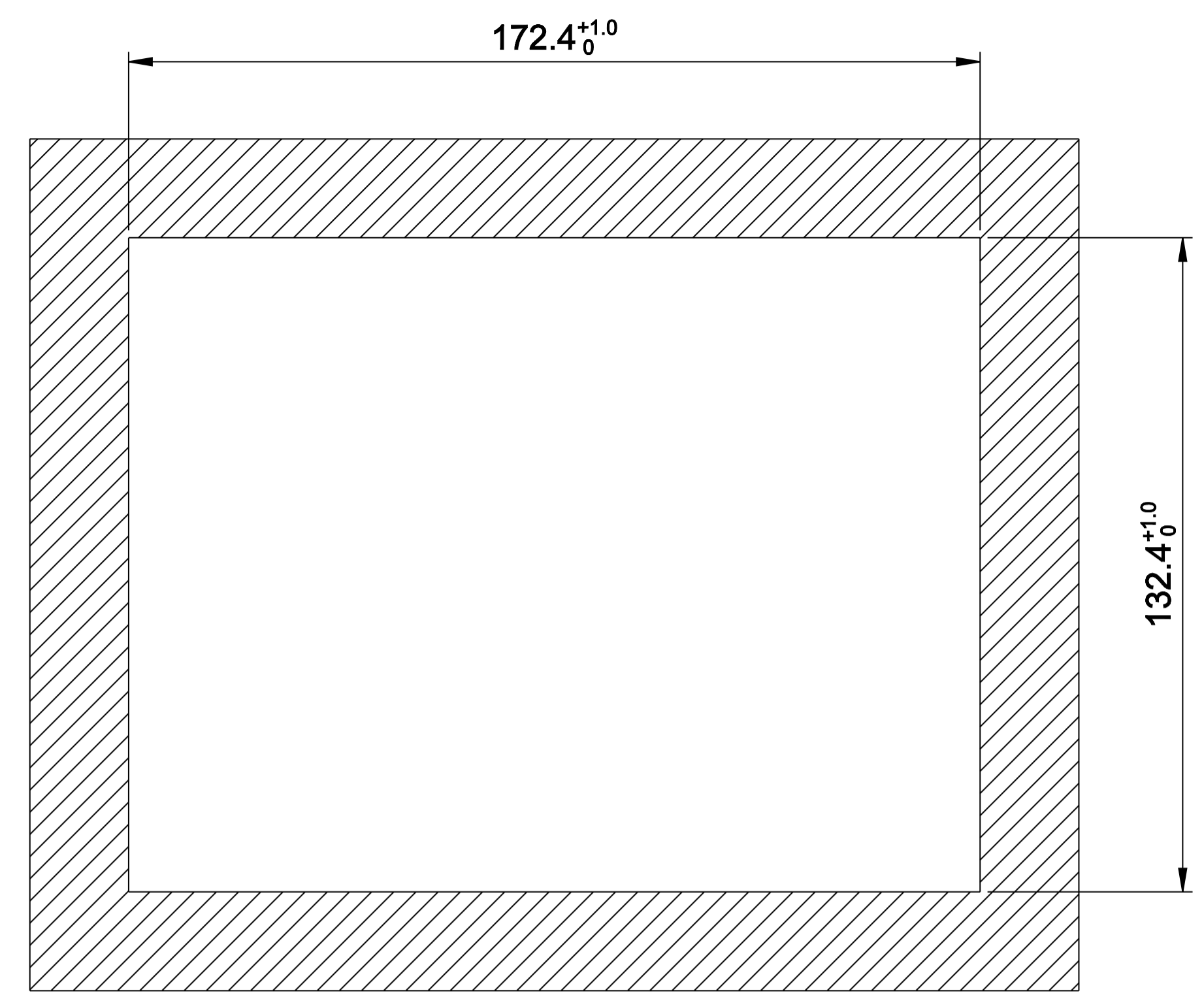
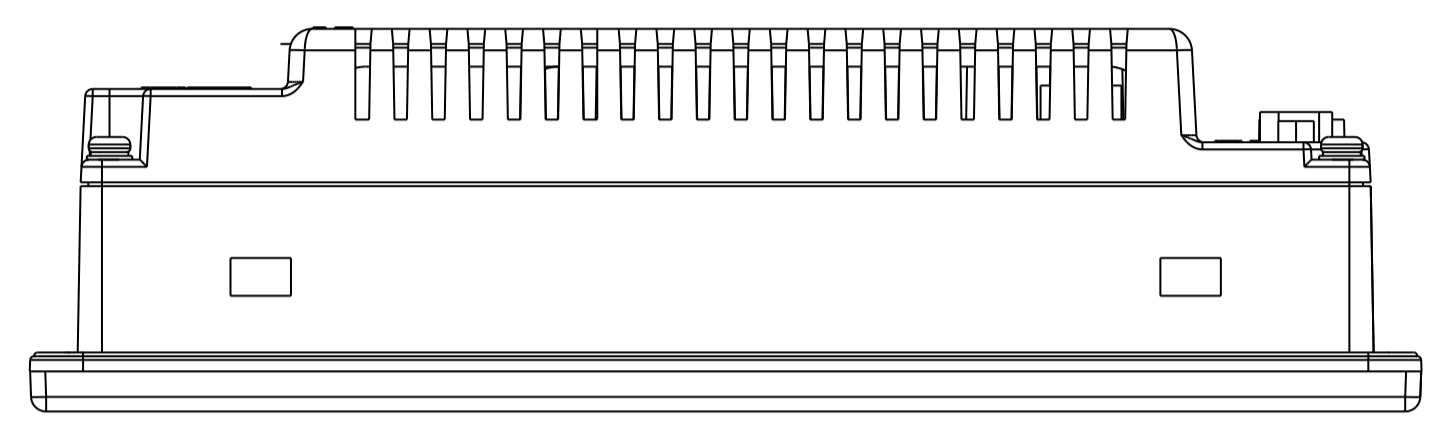


1 2 3 4 5 6 7 8 9 10 11

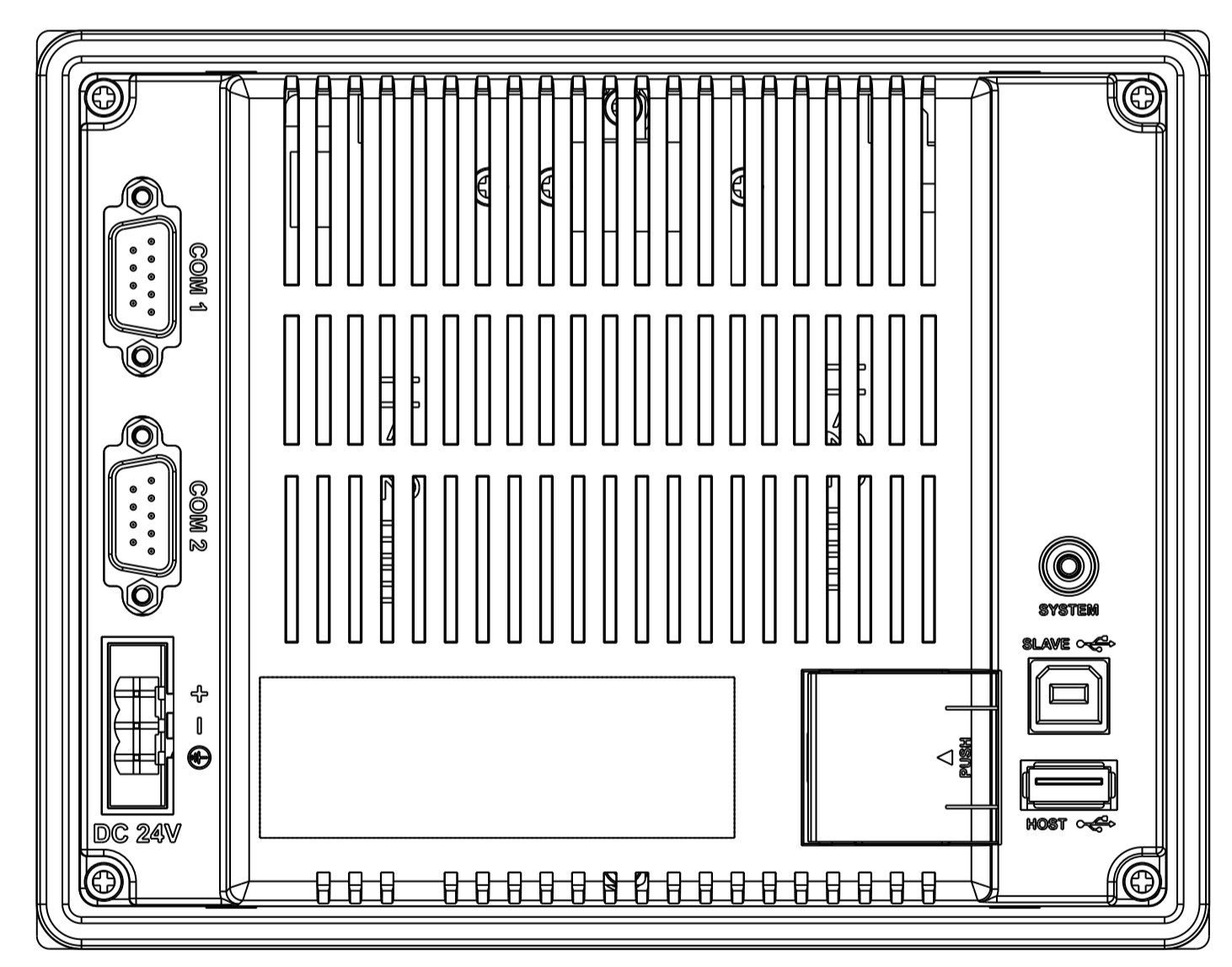
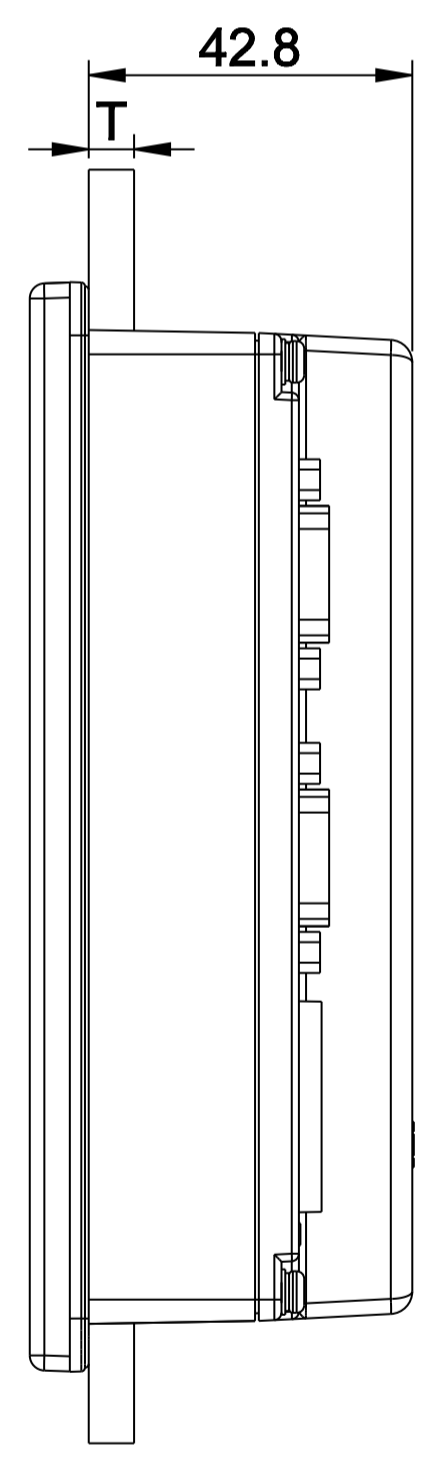
REV.	ECN NO.
00	152A-08A004

A
B
C
D
E
F
G
H
I
J

A
B
C
D
E
F
G
H
I
J



Note:
T=1.6mm(0.063")~
6mm(0.24")



台達電子工業股份有限公司 DELTA ELECTRONICS, INC.		DRAWN: DATE: 12/11/2008	DESIGN: ECN NO.: 152A-08A004
THESE DRAWINGS AND SPECIFICATIONS ARE THE PROPERTY OF DELTA ELECTRONICS, INC. AND SHALL NOT BE REPRODUCED OR USED AS THE BASIS FOR THE MANUFACTURE OR SELL OF APPARATUS OR DEVICES WITHOUT PERMISSION.		DIMENSIONAL TOLERANCES (V) () () () ANGLES DECIMALS <50 ±0.1 <50 ±0.15 <50 ±0.2 <30' ±0.1' X ±0.3 >50-100 ±0.15 >50-100 ±0.2 >50-100 ±0.25 >30'-60' ±0.3' XX ±0.2 >100-200 ±0.2 >100-200 ±0.25 >100-200 ±0.3 >60'-90' ±0.5' XXX ±0.1 >200- ±0.25 >200- ±0.25% >200- ±0.3%	
DRAWING NAME: PD		A1 SIZE THIRD ANGLE PROJECTION	PART NO.: REV. 00
USED ON DOP-B05S100	UNIT mm	SCALE 1.000	SHEET 1 OF 1 11

1 2 3 4 5 6 7 8 9 10 11 DF-MEA1H-2R01