

TP70P-22XA1R

EN Instruction Sheet
TR Bilgi Dökümanı
TW 安裝說明
CN 安裝說明



5014005503
2022-05-16



www.deltaww.com



- EN ✘ This is an OPEN TYPE module and therefore should be installed in an enclosure free of airborne dust, humidity, electric shock and vibration. The enclosure should prevent non-maintenance staff from operating the device (e.g. key or specific tools are required for operating the enclosure) in case danger and damage on the device may occur.
- FR ✘ Ceci est un module ouvert et il doit donc être installé dans un coffret à l'abri des poussières, des vibrations et ne pas être exposé aux chocs électriques. Le boîtier ou l'armoire doit éviter toute action d'un personnel autre que celui affecté à la maintenance de l'appareil (par exemple, clefs, outils spécifiques pour l'ouverture du coffret), ceci afin d'éviter tout accident corporel ou endommagement du produit).
- TR ✘ Bu ürün AÇIK TİP bir modül olup toz, rutubet, elektrik şoku ve titreşimden uzak kapalı yerlerde muhafaza edilmelidir. Yanlış kullanım sonucu ürünün zarar görmesini önlemek için yetkili olmayan kişiler tarafından ürüne müdahale edilmesini önleyecek koruyucu önlemler alınmalıdır. (Ürünün bulunduğu panoya kilit konulması gibi).
- TW ✘ 本機為開放型 (OPEN TYPE) 機種，因此使用者使用本機時，必須將其安裝於具防塵、防潮及免於電擊/衝擊意外之外殼配線箱內。另必須具備保護措施 (如：特殊之工具或鑰匙才可打開) 防止非維護人員操作或意外衝擊本體，造成危險及損壞。
- CN ✘ 本机为开放型 (OPEN TYPE) 机种，因此使用者使用本机时，必须将其安装于具防尘、防潮及免于电击/冲击意外的外壳配线箱内。另必须具备保护措施 (如：特殊的工具或钥匙才可打开) 防止非维护人员操作或意外冲击本体，造成危险及损坏。

EN Assembly

TR Montaj

TW 安裝

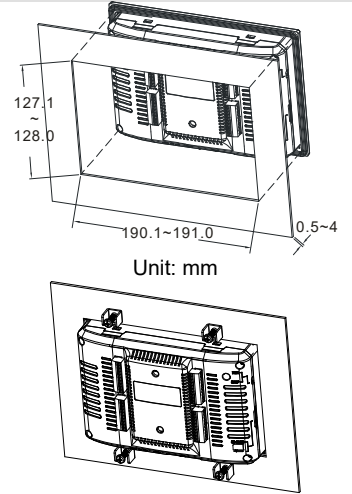
CN 组装

EN Please put the text panel into a board. Use the fasteners and the screws in the package. Insert the fasteners into the slots on the text panel, and then tighten the screws (torque: 4.75 kg-cm).

TR Lütfen paneli bir zemin üzerine yerleştiriniz. Paket içerisindeki montaj aparatları ve vidalarını kullanınız. Montaj aparatlarını panel üzerindeki deliklerine yerleştirin ve vidaları ile sıkınız (tork: 4.75 kg-cm).

TW 請直接將 TP 由盤面的正面直接放入，使用原廠包裝中所附的固定架含螺絲，直接嵌入後蓋四端凹槽處固定，並將螺絲平均鎖緊即可 (扭力：4.75 kg-cm)。

CN 請直接將 TP 由盤面的正面直接放入，使用原裝包裝中所附的固定架含螺絲，直接嵌入後蓋四端凹槽處固定，並將螺絲平均鎖緊即可 (扭力：4.75 kg-cm)。

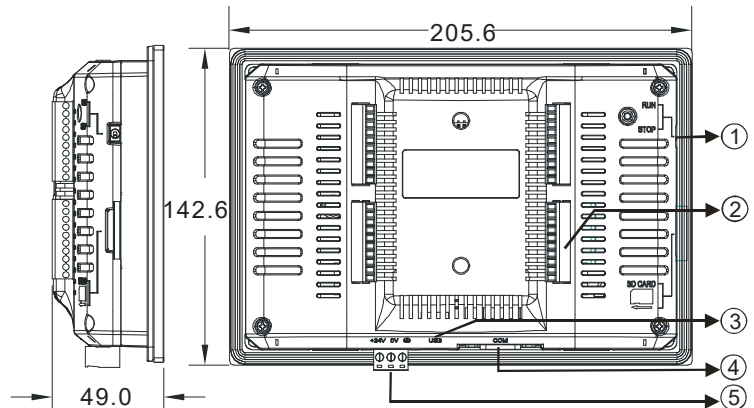


EN Dimensions(mm) & Product Profile

TR Ölçüler(mm) & Ürün Görünüşü

TW 尺寸 (mm) 及產品外觀

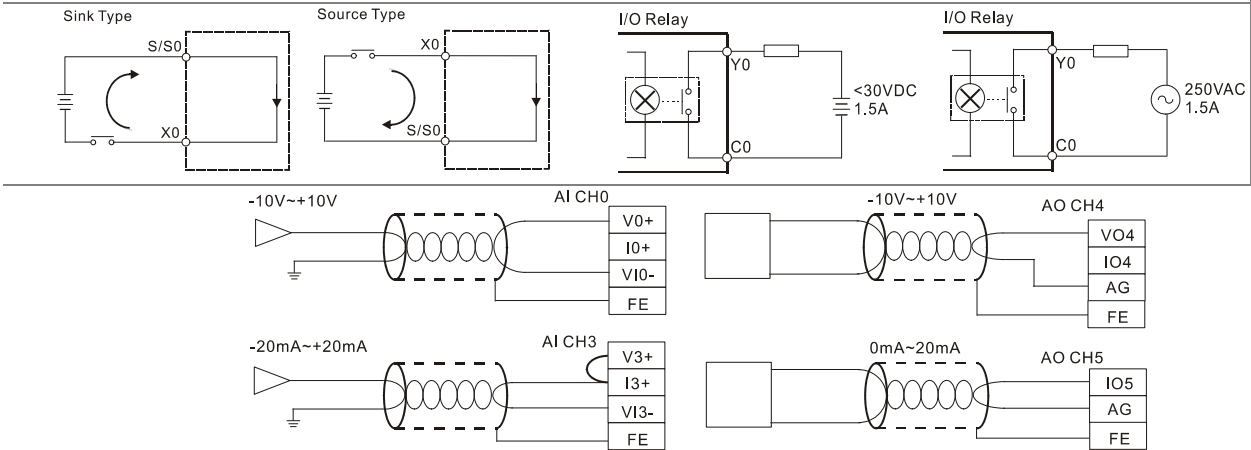
CN 尺寸 (mm) 及產品外觀



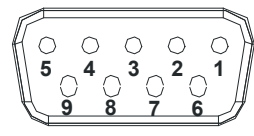
EN	TR	TW	CN
1 RUN/STOP switch	RUN/STOP anahtarı	RUN/STOP 開關	RUN/STOP 开关
2 I/O terminals	I/O klemensleri	輸出/輸入端子	输出/输入端子
3 USB port used to upload/download a program	USB port program yükleme/çekme için kullanılır	程式上下載通訊埠 (USB)	程序上下載通訊端口 (USB)
4 Communication connector	Haberleşme konnektörü	通訊連接埠	通讯连接端口
5 DC connector	DC konnektör	DC 電源供應	DC 电源供应

EN I/O	TR I/O	TW 輸入輸出	CN 輸入輸出
EN	I/O wiring, 24VDC, 5mA, 8-point input, 250VAC, <30VDC, 1.5A, relay, 8-point output		
	4-channel analog current input/2-channel analog current output, 12-bit resolution; conversion time: 3ms/channel		
TR	I/O bağlantısı, 24VDC, 5mA, 8-nokta giriş, 250VAC, <30VDC, 1.5A, röle, 8-nokta çıkış		
	4-kanal analog akım girişi/2-kanal analog akım çıkışı, 12-bit çözünürlük; çevrim zamanı:3ms/kanal		
TW	輸入輸出接線 · 24VDC/5mA · 8 點數位輸入 · 250VAC, <30VDC · 1.5A · 繼電器 · 8 點數位輸出		
	4 通道類比電流信號輸入/2 通道類比電流信號輸出 · 12 位元解析度; 轉換時間: 3ms/通道		
CN	輸入輸出接线 · 24VDC/5mA · 8 点數位輸入 · 250VAC, <30VDC · 1.5A · 继电器 · 8 点數位輸出		
	4 信道模拟电流信号输入/2 信道模拟电流信号输出 · 12 位分辨率; 转换时间: 3ms/通道		

S/S0	C0
X0	Y0
X1	Y1
X2	Y2
X3	Y3
X4	Y4
X5	Y5
X6	Y6
X7	Y7
●	●
V0+	V3+
V10-	VI3-
I0+	I3+
V1+	FE
VI1-	VO4
I1+	IO4
V2+	AG
VI2-	VO5
I2+	IO5
FE	AG



EN Pin definition	TR Pin açıklama	TW 接腳定義	CN 接腳定义
Pin	RS-485 (COM2) -for PLC mode	RS-485 (COM3) -for TP mode	
5	GND	GND	
6	D+	N/C	
7	D-	N/C	
8	N/C	D+	
9	N/C	D-	



Part Name	Hazardous Substances						Industrial Automation Headquarters				
	Pb	Hg	Cd	Cr(VI)	PBB	PBDE	Delta Electronics, Inc.				
Metal Part	X	O	O	O	O	O	Taoyuan Technology Center No.18, Xinglong Rd., Taoyuan District, Taoyuan City, 33068, Taiwan TEL: 886-3-3626301 / FAX: 886-3-3716301				
Plastic Part	O	O	O	O	O	O	Delta Greentech (China) Co., Ltd. 238 Min-Xia Road, Pudong District, Shanghai, P.R.C. 201209 TEL: 86-21-5863-5678 / FAX: 86-21-5863-0003				
Electronic	X	O	O	O	O	O					
Contacts	O	O	X	O	O	O					
Cable & Cabling accessories	X	O	O	O	O	O					
Battery	O	O	O	O	O	O					
<p>本表格依据 SJ/T 11364 的规定编制。 O: 表示该有害物质在该部件所有均质材料中的含量均在 GB/T 26572 规定的限量要求以下。 X: 表示该有害物质至少在该部件的某一均质材料中的含量超出 GB/T 26572 规定的限量要求。</p> <p>This table is made according to SJ/T 11364. O: Indicates that the concentration of hazardous substance in all of the homogeneous materials for this part is below the limit as stipulated in GB/T 26572. X: Indicates that concentration of hazardous substance in at least one of the homogeneous materials used for this part is above the limit as stipulated in GB/T 26572.</p>											
Asia China: Delta Electronics (Shanghai) Co., Ltd. No.182 Minyu Rd., Pudong Shanghai, P.R.C. Post code: 201209 TEL: +86-21-5872-3988 / FAX: +86-21-6872-3996 Customer Service: 400-820-9595 Japan: Delta Electronics (Japan), Inc. Industrial Automation Sales Department 2-1-14 Shibadaimon, Minato-ku Tokyo, Japan 105-0012 TEL: +81-3-5733-1155 / FAX: +81-3-5733-1255 Korea: Delta Electronics (Korea), Inc. 1511, 219, Gasan Digital 1-Ro., Geumcheon-gu, Seoul, 08501 South Korea TEL: +82-2-515-5305 / FAX: +82-2-515-5302 Singapore: Delta Energy Systems (Singapore) Pte Ltd. 4 Kaki Bukit Avenue 1, #05-04, Singapore 417939 TEL: +65-6747-5155 / FAX: +65-6744-9228 India: Delta Electronics (India) Pvt. Ltd. Plot No.43, Sector 35, HSIDC Gurgaon, PIN 122001, Haryana, India TEL: +91-124-4874900 / FAX: +91-124-4874945			Thailand: Delta Electronics (Thailand) PCL 909 Soi 9, Moo 4, Bangpoo Industrial Estate (E.P.Z), Pattana 1 Rd., T.Phraksa, A.Muang, Samutprakarn 10280, Thailand TEL: +66-2709-2800 / FAX: +66-2709-2827 Brazil: Delta Electronics (Australia) Pty Ltd. Unit 20-21/45 Normanby Rd., Notting Hill Vic 3168, Australia TEL: +61-3-9543-3720 Americas USA: Delta Electronics (Americas) Ltd. 5101 Davis Drive, Research Triangle Park, NC 27709, U.S.A. TEL: +1-919-767-3813 / FAX: +1-919-767-3969 Brazil: Delta Electronics Brazil Ltd. Estrada Velha Rio-Sao Paulo, 5300 Eugenio de Melo - São José dos Campos CEP:12247-004-SP- Brazil TEL: +55-12-3932-2300 / FAX: +55-12-3932-237 Mexico: Delta Electronics International Mexico S.A. de C.V. Gustavo Baz No. 309 Edificio E PB 103 Colonia La Loma, CP 54060 Tlalneapantla, Estado de México TEL: +52-55-3603-9200			EMEAE EMEAE Headquarters: Delta Electronics (Netherlands) B.V. Sales: Sales.IA.EMEA@deltaww.com Marketing: Marketing.IA.EMEA@deltaww.com Technical Support: iatechnicalsupport@deltaww.com Customer Support: Customer-Support@deltaww.com Service: Service.IA.emea@deltaww.com TEL: +31(0)40 800 3900 DACH: Delta Electronics (Netherlands) B.V. BENELUX: Delta Electronics (Netherlands) B.V. Automotive Campus 260, 5708 JZ Helmond, The Netherlands Mail: Sales.IA.Benelux@deltaww.com TEL: +31(0)40 800 3900 DACH: Delta Electronics (Netherlands) B.V. Coesterweg 45, D-59494 Soest, Germany Mail: Sales.IA.DACH@deltaww.com TEL: +49(0)2921 987 0 France: Delta Electronics (France) S.A. ZI du bois Challand 2, 15 rue des Pyrénées, Lisses, 91090 Evry Cedex, France Mail: Sales.IA.FR@deltaww.com TEL: +33(0)1 69 77 82 60 UK: Delta Electronics Europe Ltd. 1 Redwood Court, East Kilbride, Glasgow, G74 5PF, United Kingdom TEL: +44-1355-588-888			Iberia: Delta Electronics Solutions (Spain) S.L.U Ctra. De Villaverde a Vallecas, 265 1º Dcha Ed. Hormigueros - P.I. de Vallecas 28031 Madrid TEL: +34(0)91 223 74 20 Carrer Llacuna 185, 08018 Barcelona, Spain Mail: Sales.IA.Iberia@deltaww.com Italy: Delta Electronics (Italy) S.r.l. Piazza Meda 2-22060 Novedrate(CO) Piazza Grazioli 18 00186 Roma Italy Mail: Sales.IA.Italy@deltaww.com TEL: +39 039 8900365 Russia: Delta Electronics System LLC Verenskaya Plaza II, office 112 Verenskaya str. 17 121357 Moscow Russia Mail: Sales.IA.RU@deltaww.com TEL: +7 495 644 3240 Turkey: Delta Greentech Elektronik San. Ltd. Sti. (Turkey) Serfilah Mah. Hendem Cad. Kule Sok. No:16-A 34775 Ümraniye - Istanbul Mail: Sales.IA.Turkey@deltaww.com TEL: + 90 216 499 9910 MEA: Eitek Dubai (Eitek MEA DMCC) OFFICE 2504, 25th Floor, Sabat Tower 1, Jumeirah Lakes Towers, Dubai, UAE Mail: Sales.IA.MEA@deltaww.com TEL: +971(0)4 2690148		

*We reserve the right to change the information in this instruction sheet without prior notice.