



Digitized Automation for a Changing World

# Delta Low Voltage Electric Vehicle Drive BTD Series



[www.deltaww.com](http://www.deltaww.com)



## Features

- **Outstanding Performance**  
Supports Permanent Magnet Synchronous, Induction and Hub motors with excellent control and high efficiency
- **Strong Drive Capability**  
Continuous operation for 2 minutes under maximum current
- **Flexible Installation**  
Compact design, smaller size compared with similar models, enhancing interior space utilization
- **Auto-tuning**  
Quick and precise motor parameter tuning without unloading the device from the vehicle. Compatible with various brands of AC motors
- **Reliability and Stability**  
IP65/IP67 waterproof and dust-proof, PCB conformal coating
- **Complete International Certifications**  
CE and UL certified

### BTDH2 Series



### BTDS1 Series





## Specifications

Model		BTDS1 Series	BTDH2 Series
Motor Type		Induction motor (IM), Permanent magnet synchronous motor (PMSM), Hub motor	
Speed Feedback		A/B Incremental encoder	
Speed Feedback Voltage (V <sub>DC</sub> )		12	12
Output	Carrier Frequency (kHz)	10	
Input	Rated Voltage (V <sub>DC</sub> )	24/48/80	48/80/96/144
Control Functions	Control Methods	Torque mode / Speed mode	
Operation Environment	Operation Temperature	-40°C ~ 40°C	-40°C ~ 50°C
	Storage Temperature	-40°C ~ 75°C	-40°C ~ 85°C
	Protection Rating	IP65	IP67
Communication Port		CAN-Bus / Modbus	
Protection		Overcurrent protection, high/low-voltage protection, overheat protection, battery low-voltage warning, emergency stop output	
Certifications		CE, UL	
Dimensions (WxDxH, mm)		180.0x140.0x89.8	220.0x180.0x82.6
Weight		Net: 2.2 kg Gross: 2.6 kg	Net: 3.8 kg Gross: 4.2 kg

## Model Chart

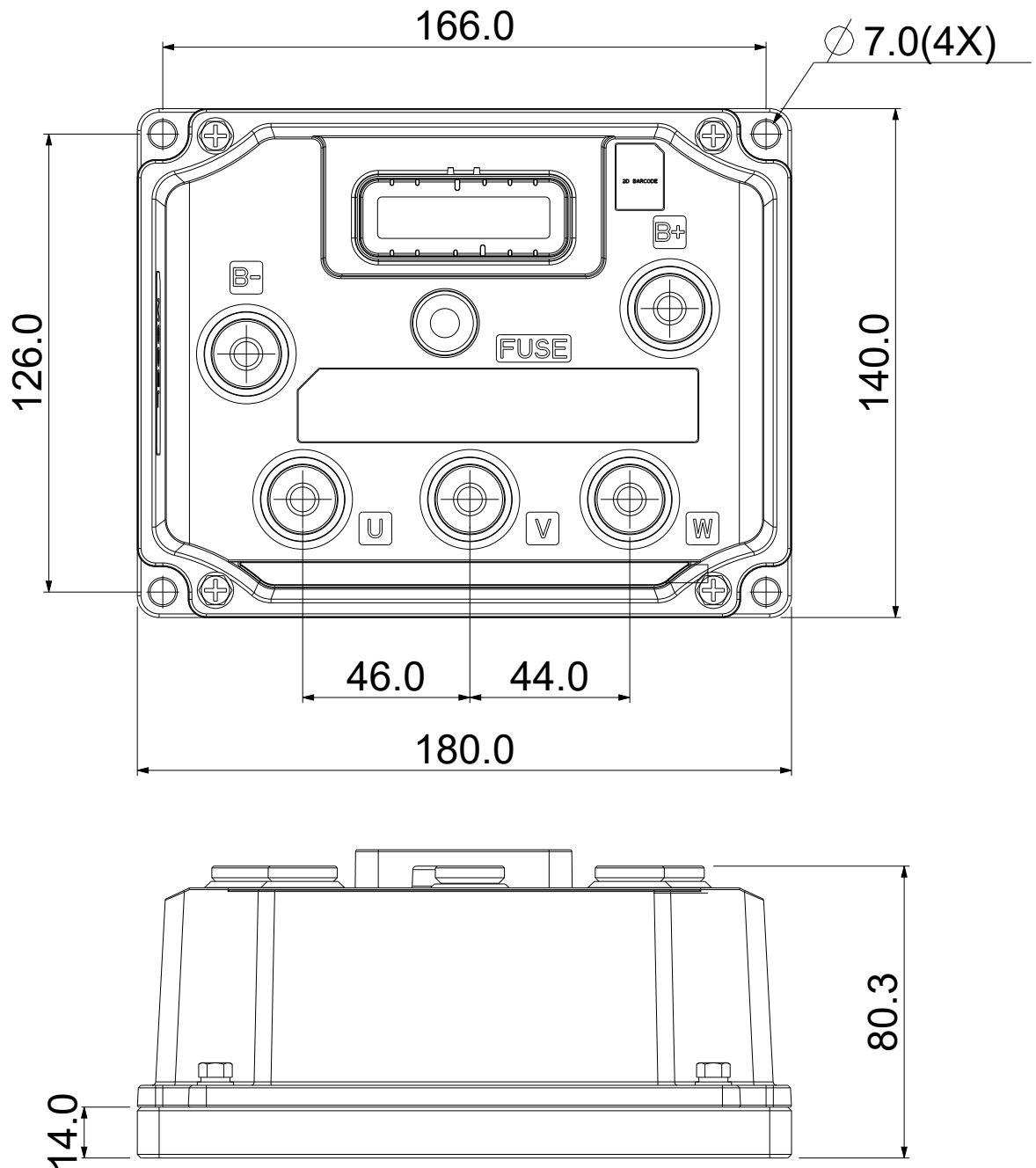
Model		Rated Voltage (V)	S2-60 Min RMS Rated Current (A)	2 Min Max. Current (A)
BTDS1 Series	BTDS10206P0	24	100	300
	BTDS10208P0	24	133	400
	BTDS10210P0 <sup>*1</sup>	24	167	500
	BTDS10410P0	48	167	400 (500 A 1 min)
	BTDS10606P0 <sup>*1</sup>	80	133	300 (350 A 1 min)
BTDH2 Series	BTDH20412P0 <sup>*2</sup>	48	240	600
	BTDH20609P0 <sup>*2</sup>	80	190	450 (550 A 1 min)
	BTDH20806P0 <sup>*2</sup>	96	130	300
	BTDH21204P0 <sup>*2</sup>	144	78	200

\*1: Available in Q1 2023.

\*2: Available in Q3 2023.

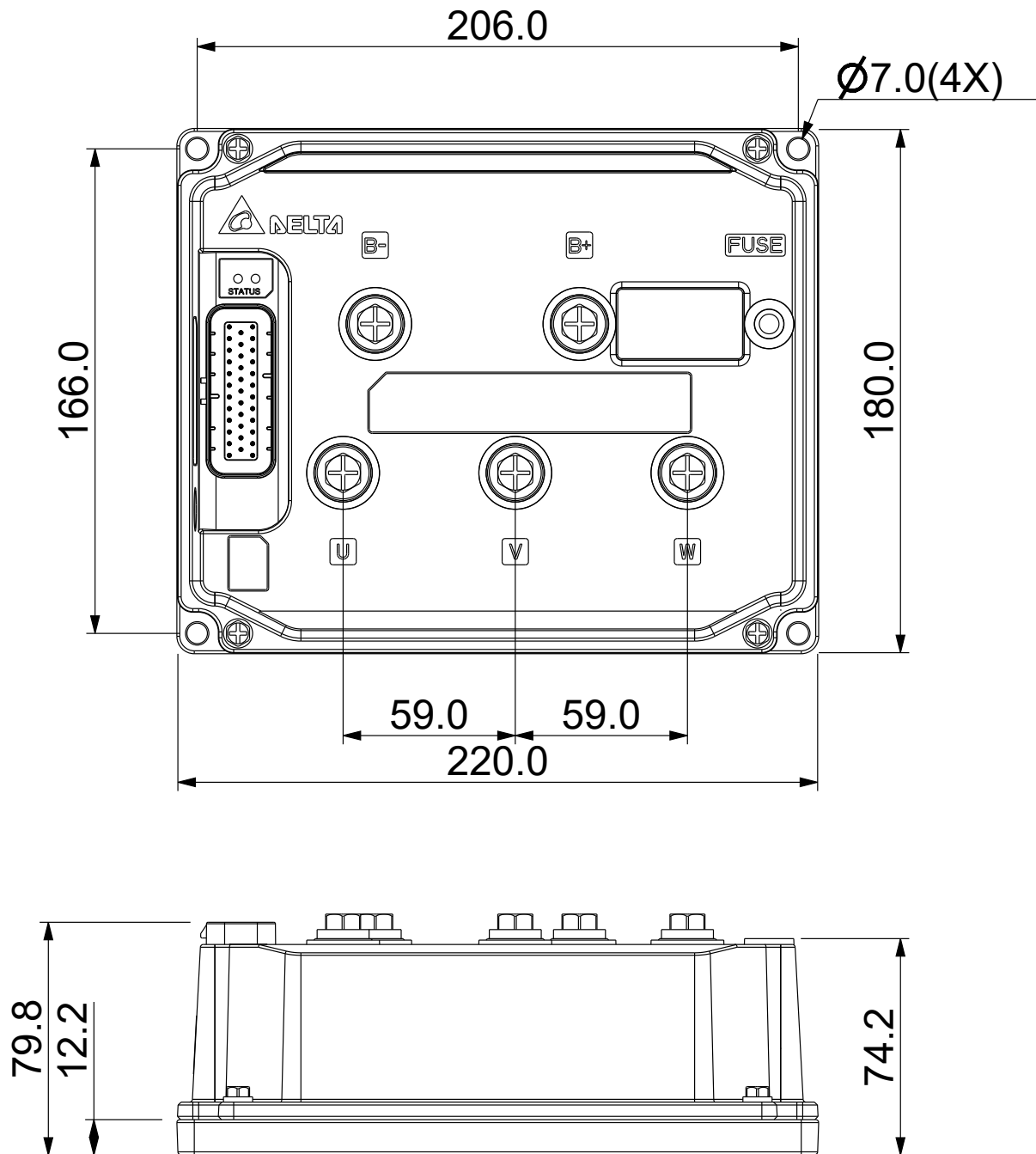
# Dimensions

## BTDS1



Unit: mm

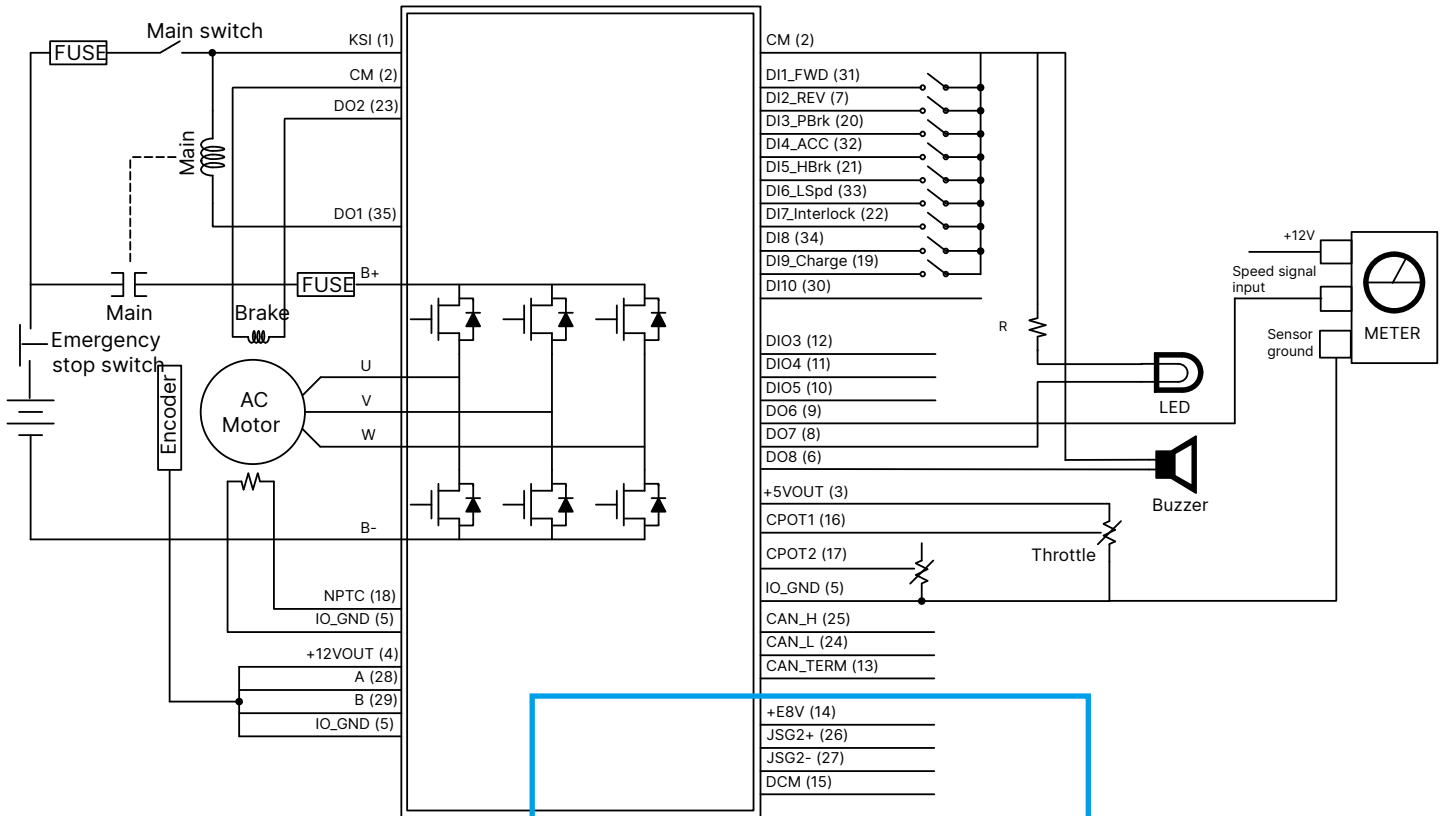
## BTDH2



Unit: mm

# Wiring

## BTDS1/BTDH2



IFD6530  
— USB

VFD Explorer

The engineering adjustment can be connected to the computer through the IFD6530 (Hardware) and then used with the VFD explorer (Software) for dynamic monitoring.





Smarter. Greener. Together.

## Industrial Automation Headquarters

### Taiwan: Delta Electronics, Inc.

Taoyuan Technology Center  
No.18, Xinglong Rd., Taoyuan District,  
Taoyuan City 33068, Taiwan  
TEL: +886-3-362-6301 / FAX: +886-3-371-6301

## Asia

### China: Delta Electronics (Shanghai) Co., Ltd.

No.182 Minyu Rd., Pudong Shanghai, P.R.C.  
Post code : 201209  
TEL: +86-21-6872-3988 / FAX: +86-21-6872-3996  
Customer Service: 400-820-9595

### Japan: Delta Electronics (Japan), Inc.

Industrial Automation Sales Department  
2-1-14 Shibadaimon, Minato-ku  
Tokyo, Japan 105-0012  
TEL: +81-3-5733-1155 / FAX: +81-3-5733-1255

### Korea: Delta Electronics (Korea), Inc.

1511, 219, Gasan Digital 1-Ro., Geumcheon-gu,  
Seoul, 08501 South Korea  
TEL: +82-2-515-5305 / FAX: +82-2-515-5302

### Singapore: Delta Energy Systems (Singapore) Pte Ltd.

4 Kaki Bukit Avenue 1, #05-04, Singapore 417939  
TEL: +65-6747-5155 / FAX: +65-6744-9228

### India: Delta Electronics (India) Pvt. Ltd.

Plot No.43, Sector 35, HSIIDC Gurgaon,  
PIN 122001, Haryana, India  
TEL: +91-124-4874900 / FAX: +91-124-4874945

### Thailand: Delta Electronics (Thailand) PCL.

909 Soi 9, Moo 4, Bangpoo Industrial Estate (E.P.Z),  
Pattana 1 Rd., T.Phraksa, A.Muang,  
Samutprakarn 10280, Thailand  
TEL: +66-2709-2800 / FAX: +66-2709-2827

### Australia: Delta Electronics (Australia) Pty Ltd.

Unit 2, Building A, 18-24 Ricketts Road,  
Mount Waverley, Victoria 3149 Australia  
Mail: IA.au@deltaww.com  
TEL: +61-1300-335-823 / +61-3-9543-3720

## Americas

### USA: Delta Electronics (Americas) Ltd.

5101 Davis Drive, Research Triangle Park, NC 27709, U.S.A.  
TEL: +1-919-767-3813 / FAX: +1-919-767-3969

### Brazil: Delta Electronics Brazil Ltd.

Estrada Velha Rio-São Paulo, 5300 Eugênio de  
Melo - São José dos Campos CEP: 12247-004 - SP - Brazil  
TEL: +55-12-3932-2300 / FAX: +55-12-3932-237

### Mexico: Delta Electronics International Mexico S.A. de C.V.

Gustavo Baz No. 309 Edificio E PB 103  
Colonia La Loma, CP 54060  
Tlalnepantla, Estado de México  
TEL: +52-55-3603-9200

## EMEA

### EMEA Headquarters: Delta Electronics (Netherlands) B.V.

Sales: Sales.IA.EMEA@deltaww.com  
Marketing: Marketing.IA.EMEA@deltaww.com  
Technical Support: iatechnicalsupport@deltaww.com  
Customer Support: Customer-Support@deltaww.com  
Service: Service.IA.emea@deltaww.com  
TEL: +31(0)40 800 3900

### BENELUX: Delta Electronics (Netherlands) B.V.

Automotive Campus 260, 5708 JZ Helmond, The Netherlands  
Mail: Sales.IA.Benelux@deltaww.com  
TEL: +31(0)40 800 3900

### DACH: Delta Electronics (Netherlands) B.V.

Coesterweg 45, D-59494 Soest, Germany  
Mail: Sales.IA.DACH@deltaww.com  
TEL: +49(0)2921 987 0

### France: Delta Electronics (France) S.A.

ZI du bois Challand 2, 15 rue des Pyrénées,  
Lisses, 91090 Evry Cedex, France  
Mail: Sales.IA.FR@deltaww.com  
TEL: +33(0)1 69 77 82 60

### Iberia: Delta Electronics Solutions (Spain) S.L.U

Ctra. De Villaverde a Vallecas, 265 1º Dcha Ed.  
Hormigueras – P.I. de Vallecas 28031 Madrid  
TEL: +34(0)91 223 74 20  
Carrer Llacuna 166, 08018 Barcelona, Spain  
Mail: Sales.IA.Iberia@deltaww.com

### Italy: Delta Electronics (Italy) S.r.l.

Via Meda 2-22060 Novedrate(CO)  
Piazza Grazioli 18 00186 Roma Italy  
Mail: Sales.IA.Italy@deltaww.com  
TEL: +39 039 8900365

### Russia: Delta Energy System LLC

Vereyskaya Plaza II, office 112 Vereyskaya str.  
17 121357 Moscow Russia  
Mail: Sales.IA.RU@deltaww.com  
TEL: +7 495 644 3240

### Turkey: Delta Greentech Elektronik San. Ltd. Sti. (Turkey)

Şerifali Mah. Hendem Cad. Kule Sok. No:16-A  
34775 Ümraniye – İstanbul  
Mail: Sales.IA.Turkey@deltaww.com  
TEL: + 90 216 499 9910

### MEA: Eltek Dubai (Eltek MEA DMCC)

OFFICE 2504, 25th Floor, Saba Tower 1,  
Jumeirah Lakes Towers, Dubai, UAE  
Mail: Sales.IA.MEA@deltaww.com  
TEL: +971(0)4 2690148

\*We reserve the right to change the information in this catalogue without prior notice.