



Digitized Automation for a Changing World

Delta Industrial Camera DMV-C Series



**High-speed, High Performance &
High Stability**

www.deltaww.com

Delta Industrial Camera

DMV-C Series

- Supports exposure time and white balance settings
- Gamma correction and LUT, Gain
- Software trigger, external I/O trigger and continuous capture
- User-defined ROI and mirror output
- GigE Vision 2.0 compliant
- 64 MB image cache memory
- CE, KC, UL and RoHS certified



DMV-CC/CX

- CMOS sensor
- Resolution : 0.4 M ~ 5 M
- Global shutter

DMV-CL

- CMOS sensor
- Resolution : 0.4 M ~ 20 M
- Global shutter, Rolling shutter

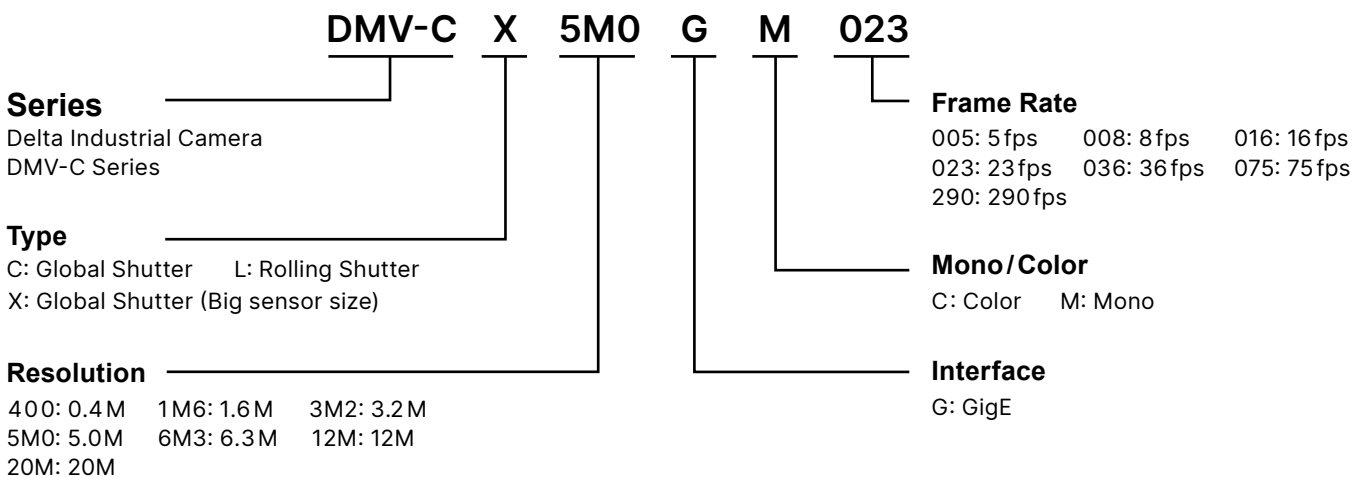
General Specifications

Interface	10/100/1,000 Mbps Ethernet, compliant with GigE Vision 2.0 standard
Trigger	Software, external input (via the I/O connector)
Capture	Single, multiple, continuous
Power Consumption	3.5 W
Power Supply	DC 12 ~ 24 V or PoE (IEEE 802.3af)
Dimensions	45 × 29 × 29 mm
Weight	92 g
Mount Type	C-Mount connector
Temperature	Storage: -20 ~ 85 °C, Operating: 0 ~ 45 °C
Certification	CE, KC, UL, RoHS, IP30
Driver	DMV-SDK or 3 rd party software compliant with GigE Vision 2.0
Compatible OS	Windows 10 x86/ x64, Ubuntu 16.04 or above

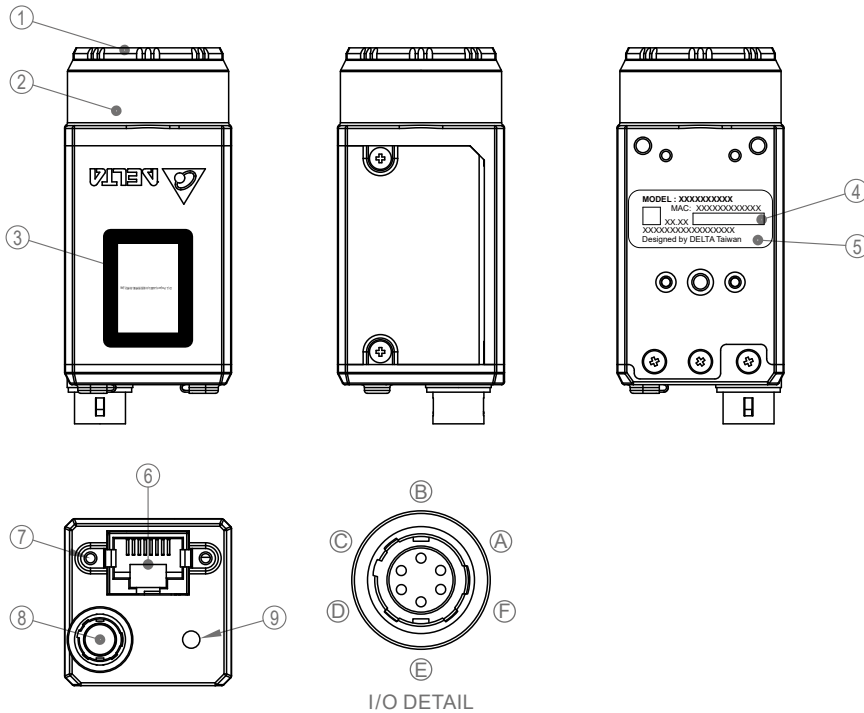
Product Specifications

Model	Sensor Model	Resolution (W×H)	Optical Size (inch)	Shutter	Exposure Time	Pixel Size (um)	FPS	Mono/Color	Pixel Format	GPIO		
DMV-CC400GM290	IMX287	720 × 540	1/2.9	Global	20 us ~ 1 s	6.9	290	Mono	Mono (12,10,8) Bayer (12,10,8)	Isolated Input × 1 Isolated Output × 2		
DMV-CC400GC290								Color				
DMV-CC1M6GM075	IMX273	1,440 × 1,080	1/1.8			3.45	75	36			Mono	
DMV-CC1M6GC075											Color	
DMV-CC3M2GM036	IMX265	2,048 × 1,536	2/3			2	23	16			Mono	
DMV-CC3M2GC036											Color	
DMV-CX5M0GM023	IMX264	2,448 × 2,048	1/2.8			Rolling	2.4	8			Mono	Mono (10,8) Bayer (10,8)
DMV-CX5M0GC023											Color	
DMV-CL5M0GM023	IMX335	2,592 × 1,944	1/1.7			1	1.85	5			Mono	Mono (12,10,8) Bayer (12,10,8)
DMV-CL5M0GC023											Color	
DMV-CL6M3GM016	IMX178	3,072 × 2,048	1	2.4	8	5	Mono	Mono (12,10,8) Bayer (12,10,8)				
DMV-CL6M3GC016							Color					
DMV-CL12MGM008	IMX226	4,000 × 3,000	1	2.4	8	5	Mono	Mono (12,10,8) Bayer (12,10,8)				
DMV-CL12MGC008							Color					
DMV-CL20MGM005	IMX183	5,472 × 3,648	1	2.4	8	5	Mono	Mono (12,10,8) Bayer (12,10,8)				
DMV-CL20MGC005							Color					

Ordering Information

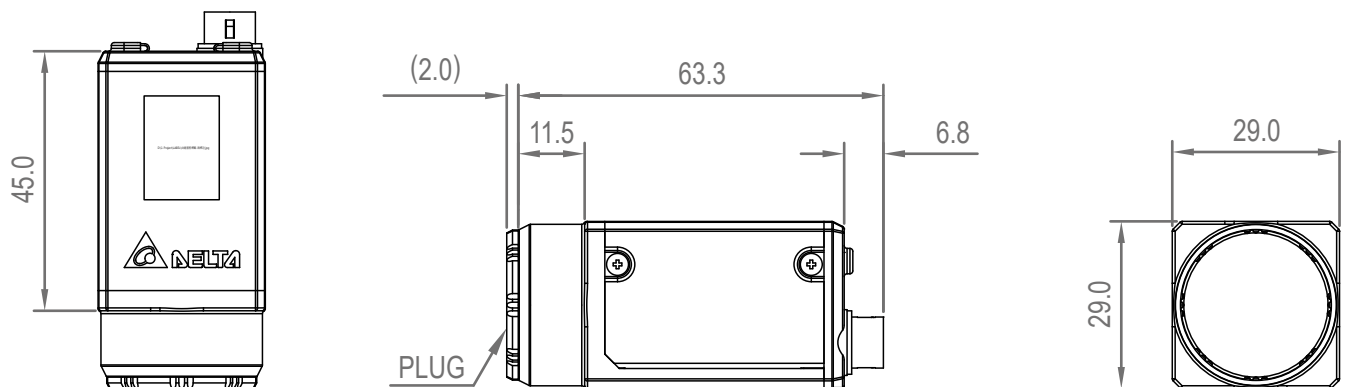


Parts Information



No.	Item
(1)	Lens Cover
(2)	C - Mount Connector
(3)	Delta Service QR Code
(4)	MAC ID
(5)	Product Label
(6)	RJ45 Connector
(7)	RJ45 Threaded Hole (M2 × 0.4 ↓ 4)
(8)	I/O Connector
(9)	Indicator
(A)	Power Input (Brown Wire)
(B)	Line 1 (In, Red / White Wire)
(C)	Line 3 (Out, White Wire)
(D)	Line 2 (Out, Black Wire)
(E)	I/O COM (Red / Black Wire)
(F)	Ground (Blue Wire)

Dimensions



Industrial Automation Headquarters

Delta Electronics, Inc.

Taoyuan Technology Center

No.18, Xinglong Rd., Taoyuan District,

Taoyuan City 33068, Taiwan

TEL : 886-3-362-6301/FAX: 886-3-371-6301

DELTA_IA-DMV-DMV-C_F_EN_20221208

