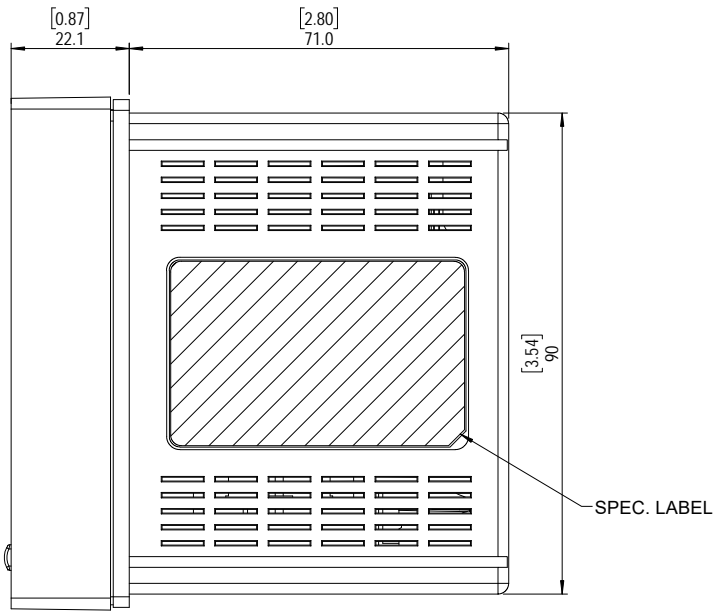
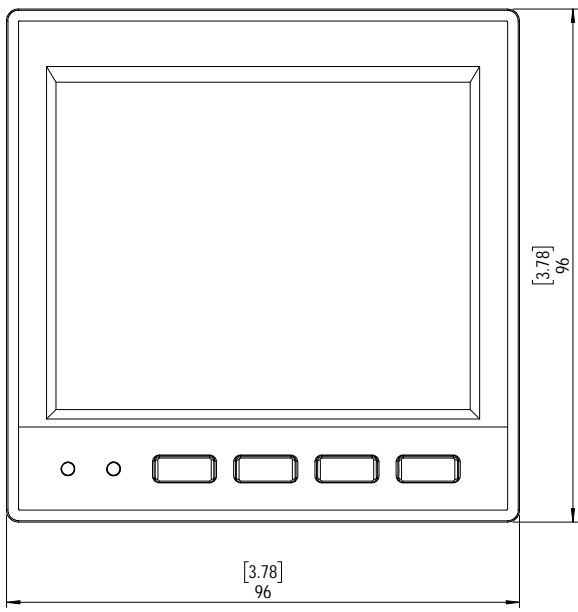
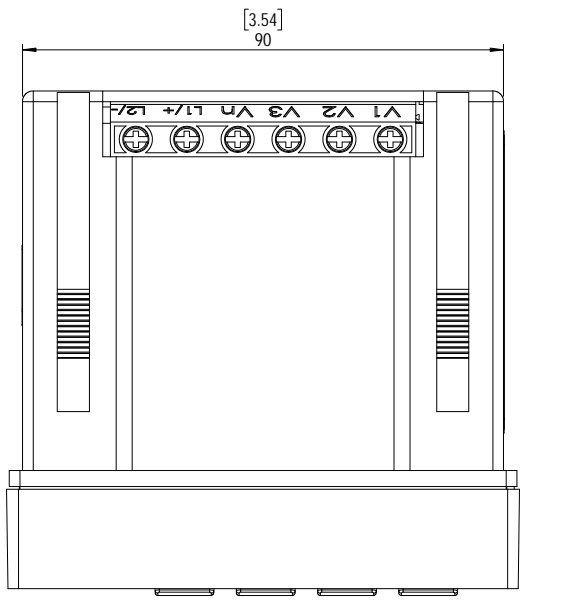


1

2

3

4



台達電子工業股份有限公司 DELTA ELECTRONICS, INC.	Drawn: 06/16/2017 GARY LIU	Design: 06/16/2017 GARY LIU
	Description: PD-DPM-C520	
THESE DRAWINGS AND SPECIFICATIONS ARE THE PROPERTY OF DELTA ELECTRONICS, INC. AND SHALL NOT BE REPRODUCED OR USED AS THE BASIS FOR THE MANUFACTURE OR SELL OF APPARATUSES OR DEVICES WITHOUT PERMISSION.	THIRD ANGLE PROJECTION	Part No. DPM-C520
DIMENSIONAL TOLERANCES () () () <30 ±0.25 DECIMALS UP~100 ±0.2 250~300 ±0.4 UP~600 ±1.5 >30~100 ±0.35 X ±0.3 100~150 ±0.25 300~350 ±0.45 600~900 ±2.4 >100~300 ±0.5 X.X ±0.2 150~200 ±0.3 350~400 ±0.5 900~OVER ±3.1 ABOVE 300 ±0.6 X.XX±0.1 200~250 ±0.35	HOLES : ±0.05 ANGLES : ±0.5°	REV. 00
SCALE 1:2 UNIT mm USED ON DPM-C520	A3 SIZE	SHEET 1 OF 1 ISSUE DATE: 06/16/2017

1

2

3

4