



Digitized Automation for a Changing World

# Delta Industrial PC IPC Series / PPC Series

# Industrial PCs - IPC & PPC

In response to market demands for industrial information management, Delta presents the industrial PCs: Industrial box PC (IPC) and Industrial Panel PC (PPC).

The Industry PC (IPC) is compact and robust with a fanless design and aluminum case featuring cooling effects. Its rugged structure and excellent vibration resistance make it highly protective against pollution, dust, and electromagnetic interference when applied in industrial environments, such as machinery equipment, transportation, infrastructure and others.

The Industrial Panel PC (PPC) is slim and built with an aluminum case, which is composed of an IP65 front panel and a rear panel with heat sink. It is sealed with a fanless design. The PPC is suitable for applications in the rubber machinery, solar photovoltaic, automotive control and other industrial fields.

	Embedded Type	Intel® Celeron N3350	2 / 4 GB RAM	2 × RJ45 (1GbE)
			64 GB mSata SSD	1 × VGA
			2 × USB / 1 × COM	-
	Basic Type	Intel® Celeron J1900	4 / 8 GB RAM	2 × RJ45 (1GbE)
			128 GB mSata SSD	1 × VGA / 1 × HDMI
			6 × USB / 6 × COM	-
	Standard Type	8 <sup>th</sup> Gen Intel® Core i3 / i5	4 / 8 GB RAM	2 × RJ45 (1GbE)
			256 / 512 GB mSata SSD	1 × VGA / 1 × HDMI
			6 × USB / 6 × COM	-
	Advanced Type	8 <sup>th</sup> Gen Intel® Core i3 / i5 / i7	8 GB RAM	2 × RJ45 (1GbE)
			256 / 512 GB Sata III 2.5" SSD	1 × VGA / 1 × HDMI
			4 × USB / 4 × COM	2 × PCI or 1 × PCI + 1 × PCIe × 16
	Basic Type with Panel	Intel® Celeron J1900	4 / 8 GB RAM	2 × RJ45 (1GbE)
			128 GB mSata SSD	1 × VGA / 1 × HDMI
			4 × USB / 4 × COM	10 / 12 / 15 / 17 / 19 / 21 inch
	Standard Type with Panel	8 <sup>th</sup> Generation Intel® Core i3 / i5	4 / 8 GB RAM	2 × RJ45 (1GbE)
			256 / 512 GB mSata SSD	1 × VGA / 1 × HDMI
			4 × USB / 4 × COM	15 / 17 / 19 / 21 inch
	Basic Type with Panel	Intel® Celeron J1900	8 GB RAM	2 × RJ45 (1GbE)
			128 GB mSata SSD	1 × VGA / 1 × HDMI
			4 × USB / 4 × COM	12 / 15 / 19 inch
	Standard Type with Panel	Intel® Core i5	8 GB RAM	2 × RJ45 (1GbE)
			256 / 512 GB mSata SSD	1 × VGA / 1 × HDMI
			4 × USB / 4 × COM	12 / 15 / 19 inch



## Contents

	Page
Industrial PC - IPC	4
Industrial Panel PC - PPC	6
Applications	10
Dimensions	12
Ordering Information	14
Model Information	18



# Industrial Box PC (IPC)

## Embedded Type

- Intel® Celeron N3350
- Fanless system
- Supports 1×VGA

- Operating Temperature -20°C ~ 70°C
- Storage: 1×64 GB mSata SSD
- Memory: Built-in 4 GB; Max. capacity: 8 GB

## Basic Type

- Intel® Celeron J1900
- Fanless system
- Supports 1×VGA; 1×HDMI

- Operating Temperature -20°C ~ 60°C
- Storage: 1×128 GB mSata SSD
- Memory: Built-in 4/8 GB; Max. capacity: 8 GB

## Standard Type

- 8<sup>th</sup> Gen Intel® Core i3/i5
- Fanless system
- Supports 1×VGA; 1×HDMI

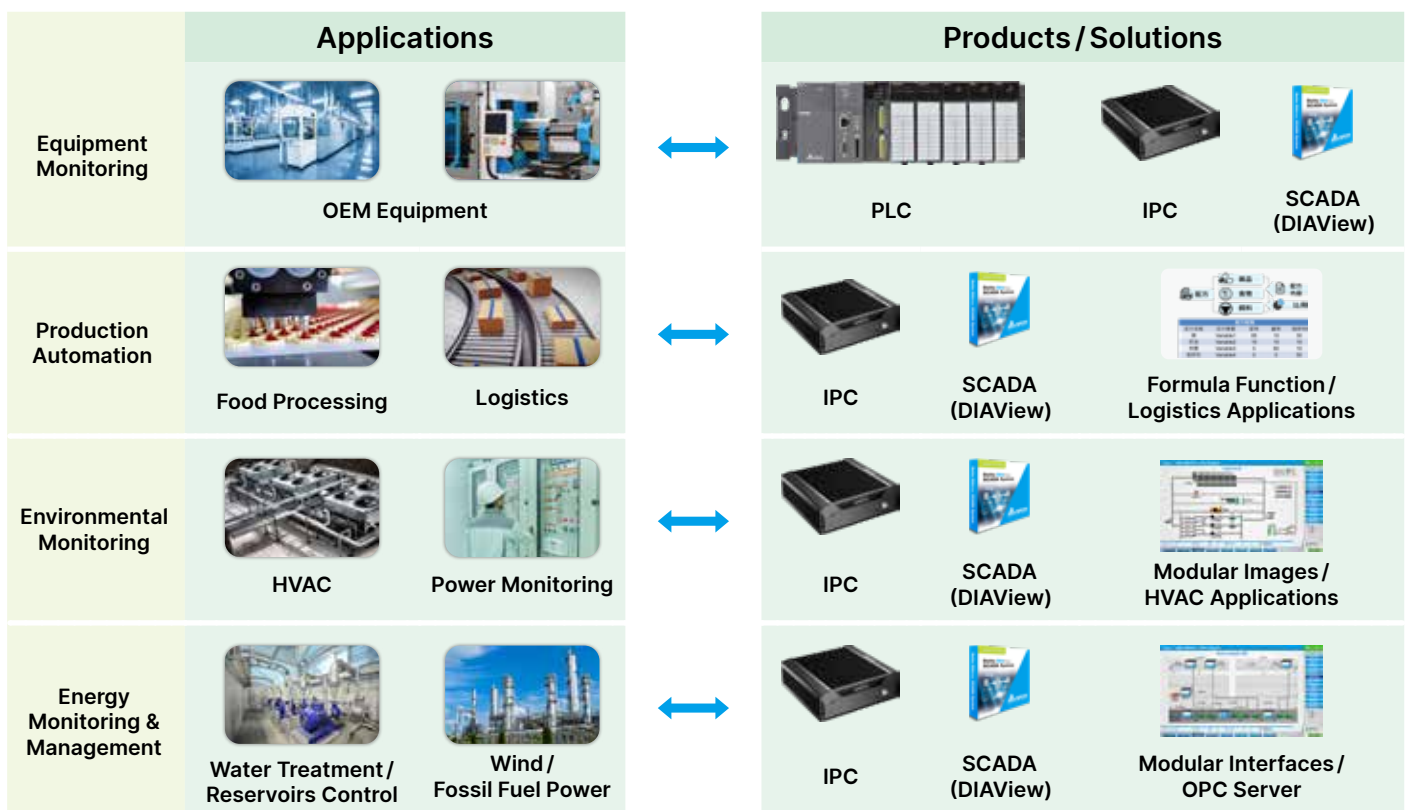
- Operating Temperature -20°C ~ 60°C
- Storage: 1×256/512 GB mSata SSD
- Memory: Built-in 4/8 GB; Max. capacity: 32 GB

## Advanced Type

- 8<sup>th</sup> Gen Intel® Core i3/i5/i7
- Fanless system
- Supports 1×VGA; 1×HDMI

- Expansion slot: 1×PCI and 1×PCIe16
- Operating Temperature -10°C ~ 60°C
- Storage: 1×256/512 GB Sata III SSD
- Memory: Built-in 8 GB; Max. capacity: 32 GB

## Integration with SCADA System for Industrial Applications





## Specifications

Model		Embedded Type	Basic Type	Standard Type	Advanced Type
		IPC-E200 Series	DIAVH-IPC00J Series	DIAVH-IPC003/5 Series	IPC-A300 Series
Processor System	CPU	Intel® Celeron N3350	Intel® Celeron J1900	8 <sup>th</sup> Gen Intel® Core i3/i5	8 <sup>th</sup> Gen Intel® Core i3/i5/i7
	Core Number	2	4	2	2 (i3) / 4 (i5/i7)
Memory	Socket	1 × SO-DIMM			2 × SO-DIMM
	Technology	DDR3L	DDR3L	DDR4	DDR4
	Standard Capacity	4 GB	4/8 GB	4/8 GB	8 GB
	Max Capacity	8 GB	8 GB	32 GB	32 GB
Storage	Interface	1 × Half-size mSata	1 × Full-size mSata	1 × Full-size mSata	2 × 2.5" SATA III
	Standard Capacity	64 GB	128 GB	256/512 GB	256/512 GB
System I/O	COM	1 × RS-232 / 422 / 485 Selected by BIOS	5 × RS-232 1 × RS-485	4 × RS-232 2 × RS-485	4 × RS-232 / 422 / 485 Selected by BIOS
	DIO	8-bit DIO Selected by BIOS, DB9 Connector	–	–	–
	USB	2 × USB2.0	5 × USB2.0 1 × USB3.0	2 × USB2.0 4 × USB3.0	4 × USB3.0
	Ethernet	2 × 10/100/1000 Mbps Ethernet			
	Display	1 × VGA	1 × HDMI / 1 × VGA		
	Audio	–	1 × Audio input/output		
Expansion	Mini-PCIe	1 × Full-size mini PCIe for wireless module			
	Riser Card	–	–	–	2 × PCI or 1 × PCI + 1 × PCIe x16
Environment	Anti-vibration	2 Grms @ 5 ~ 500 Hz	1 Grms @ 19 ~ 200 Hz		2 Grms @ 5 ~ 500 Hz
	Anti-shock	–	10g acceleration, 11 ms duration		–
	PC Operating Temperature	-20 °C ~ 70 °C with air flow	-20 °C ~ 60 °C with air flow		-10 °C ~ 60 °C with air flow
	Relative Humidity	-40 °C ~ 85 °C	-40 °C ~ 70 °C		-20 °C ~ 80 °C
	Relative Humidity	10 ~ 90% (non-condensing)	10 ~ 95% (non-condensing)		10 ~ 90% (non-condensing)
Mechanical	Dimensions (W × D × H)	31 × 100 × 125 mm	211.5 × 200 × 67 mm		147.5 × 230 × 147.5 mm
	Weight	0.3/0.5 kg	2.8/3.5 kg		4.4/5.4 kg
	Installation	DIN-rail	Wall Mount/Desktop		
Power Consumption	Input Voltage	12 ~ 24 V <sub>DC</sub> Terminal block OVP (±20%) & reverse current protection	With power adapter: Input voltage: 100 ~ 240 V <sub>AC</sub> Output voltage/current: 12 V <sub>DC</sub> /5A		With power adapter: Input voltage: 100 ~ 240 V <sub>AC</sub> Output voltage/current: 24 V <sub>DC</sub> /5A
	Standby mode	17 W	7 W	10 W	28 W
Certifications		CE, FCC Class A	CE, FCC Class A, BSMI		CE, FCC Class A

# Industrial Panel PC - PPC

(12-inch/15-inch/19-inch)

Intel® Celeron J1900

Model		New PPC-B212 Series	New PPC-B215 Series	New PPC-B219 Series
Processor System	CPU	Intel® Celeron J1900		
	Core Number	4		
Memory	Socket	1x SO-DIMM		
	Technology	DDR3L		
	Standard Capacity	8 GB		
	Max Capacity	8 GB		
Storage	Interface	M.2		
	Standard Capacity	128 GB		
Panel	Touch Panel	Multi-Point Capacitive touch (Glass)		
	Size	12.1 inch	15.6 inch	19 inch
	Resolution	1,280 × 800	1,920 × 1,080	1,440 × 900
	Brightness	500 cd/m <sup>2</sup>	450 cd/m <sup>2</sup>	250 cd/m <sup>2</sup>
	Contrast	1200: 1	3000: 1	1000: 1
	Viewing Angle (H/V)	170°/170°	178°/178°	170°/160°
System I/O	COM	4 × RS-232		
	USB	3 × USB3.0, 1 × USB2.0		
	Ethernet	2 × 10/100/1000 Mbps Ethernet		
	Display	1 × HDMI/1 × VGA		
	Audio	1 × Audio input/output		
Expansion	Mini-PCIe	1 × Full-size mini PCIe for wireless module		
Environment	Anti-vibration	5 ~ 17 Hz/1.0 mm amplitude; 19 ~ 200 Hz/1.0 g acceleration		
	Anti-shock	10 g acceleration, 11 ms duration		
	Operating Temperature	-10°C ~ 50°C with air flow		
	Storage Temperature	-20°C ~ 70°C		
	Relative Humidity	10 ~ 95% (non-condensing)		
Mechanical	Dimensions (mm)	315.8 (W) 218 (H) 70 (D)	408 (W) 257.3 (H) 69.9 (D)	472.3 (W) 319.3 (H) 71.1 (D)
	Weight	2.8 kg/4.2 kg	4.1 kg/5.7 kg	6.0 kg/7.5 kg
Power Consumption	Input Voltage	9 ~ 32 V <sub>DC</sub> wide voltage input (Phoenix), Not include power adapter in the box, please select DC24 V power supply(recommend output Power 60W)		
	Standby Mode	11.4 W	20.5 W	12.7 W
Certifications	CE (EMC+LVD) EN 55032:2015/A1:2020 EN 55035:2017/A11:2020 EN IEC 61000-3-2:2019+A1:2021 EN 61000-3-3:2013+A2:2021 IEC 61000-6-2   IEC 61000-6-4   EN IEC 62368-1:2020/A11:2020 ROHS   IEC 62321 FCC SDOC   FCC PART 15B ANSI C63.4:2014			

# Industrial Panel PC - PPC

(10-inch/12-inch/15-inch/17-inch/19-inch/21-inch)

Intel® Celeron J1900

Model		DIAVH-PPC10J Series	DIAVH-PPC12J Series	DIAVH-PPC15J Series	DIAVH-PPC17J Series	DIAVH-PPC19J Series	DIAVH-PPC21J Series
Processor System	CPU	Intel® Celeron J1900					
	Core Number	4					
Memory	Socket	1 × SO-DIMM					
	Technology	DDR3L					
	Standard Capacity	4/8 GB					
	Max Capacity	8 GB					
Storage	Interface	1 × Full-size mSata					
	Standard Capacity	128 GB					
Panel	Front Bezel	Aluminum alloy with IP65					
	Touch Panel	5-wire/resistive, USB interface					
	Size	10 inch	12 inch	15 inch	17 inch	19 inch	21 inch
	Resolution	1,024 × 768	1,024 × 768	1,024 × 768	1,280 × 1,024	1,440 × 900	1,920 × 1,080
	Brightness	350 cd/m <sup>2</sup>	450 cd/m <sup>2</sup>	300 cd/m <sup>2</sup>	250 cd/m <sup>2</sup>	250 cd/m <sup>2</sup>	250 cd/m <sup>2</sup>
	Contrast	800: 1	700: 1	1500: 1	1000: 1	1000: 1	1000: 1
	Viewing Angle (H/V)	170°/170°	160°/160°	140°/140°	150°/140°	150°/140°	170°/160°
System I/O	COM	3 × RS-232, 1 × RS-485					
	GPIO	4-bit In/4-bit Out (DB9 Connector)	-	-	-	-	
	USB	3 × USB2.0, 1 × USB3.0					
	Ethernet	2 × 10/100/1,000 Mbps Ethernet					
	Display	1 × HDMI/1 × VGA					
	Audio	1 × Audio input/output					
Expansion	Mini-PCIe	1 × Full-size mini PCIe for wireless module					
Environment	Anti-vibration	1Grms @ 19~200Hz					
	Anti-shock	10g acceleration, 11ms duration					
	PC Operating Temperature	-10 °C ~ 50 °C with air flow					
	Storage Temperature	-20 °C ~ 60 °C					
	Relative Humidity	10 ~ 95% (non-condensing)					
Mechanical	Dimensions (mm)	258 (W) 198 (H) 57.5 (D)	317 (W) 246 (H) 65.7 (D)	380 (W) 300 (H) 59 (D)	400 (W) 320 (H) 59 (D)	475 (W) 308 (H) 57 (D)	472.3 (W) 319.3 (H) 71.1 (D)
	Weight	2.8/4.0 kg	4.3/5.7 kg	5.2/6.8 kg	6.1/8.0 kg	7.3/8.3 kg	7.5/8.5 kg
Power Consumption	Input Voltage	With power adapter: Input Voltage: 100 ~ 240 V <sub>AC</sub> ; Output Voltage/Current: 12 V <sub>DC</sub> /5A, not include power adapter in the box					
	Standby Mode	10W	15W	11W	11W	13W	16W
Certifications		CE, FCC Class A, BSMI				CE, FCC Class A	

# Industrial Panel PC - PPC

(12-inch/15-inch/19-inch)

Intel® Core i5 Series

Model		New PPC-S312 Series	New PPC-S315 Series	New PPC-S319 Series
Processor System	CPU	8 <sup>th</sup> Intel® Core i5		
	Core Number	4		
Memory	Technology	On Board 8 GB LPDDR3		
	Standard Capacity	8 GB		
Storage	Interface	M.2		
	Standard Capacity	256/512 GB		
Panel	Touch Panel	Multi-Point Capacitive touch (Glass)		
	Size	12.1 inch	15.6 inch	19 inch
	Resolution	1,280 × 800	1,920 × 1,080	1,440 × 900
	Brightness	500 cd/m <sup>2</sup>	450 cd/m <sup>2</sup>	250 cd/m <sup>2</sup>
	Contrast	1200: 1	3000: 1	1000: 1
Viewing angle (H/V)	170°/170°	178°/178°	170°/160°	
System I/O	COM	4 × RS-232		
	USB	3 × USB3.0, 1 × USB2.0		
	Ethernet	2 × 10/100/1000 Mbps Ethernet		
	Display	1 × HDMI 1 × VGA		
	Audio	1x Audio input/output		
Expansion	Mini-PCIe	1 × Full-size mini PCIe for wireless module		
Environment	Anti-vibration	5-17Hz/1.0 mm amplitude; 19 ~ 200Hz/1.0g acceleration		
	Anti-shock	10g acceleration, 11ms duration		
	PC Operating Temperature	-10°C ~ 50°C with air flow		
	Storage Temperature	-20°C ~ 70°C		
	Relative Humidity	10 ~ 95% (non-condensing)		
Mechanical	Dimensions (mm)	315.8 (W) 218 (H) 70 (D)	408 (W) 257.3 (H) 69.9 (D)	472.3 (W) 319.3 (H) 71.1 (D)
	Weight	3.0 kg/4.4 kg	4.3 kg/5.9 kg	6.0 kg/7.5 kg
Power Consumption	Input Voltage	12 ~ 28 V <sub>DC</sub> wide voltage input (Phoenix), Not include power adapter in the box, please select DC24V power supply(recommend Output Power 90W)		
	Standby Mode	16.2 W	23.8 W	16.5 W
Certifications	CE(EMC+LVD) EN 55032:2015/A1:2020 EN 55035:2017/A11:2020 EN IEC 61000-3-2:2019+A1:2021 EN 61000-3-3:2013+A2:2021 IEC 61000-6-2   IEC 61000-6-4   EN IEC 62368-1:2020/A11:2020 ROHS   IEC 62321 FCC SDOC   FCC PART 15B ANSI C63.4:2014			



# Industrial Panel PC - PPC

(15-inch/17-inch/19-inch/21-inch)

Intel® Core i3/i5 Series

Model		DIAVH-PPC15x Series	DIAVH-PPC17x Series	DIAVH-PPC19x Series	DIAVH-PPC21x Series
Processor System	CPU	8 <sup>th</sup> Gen Intel® Core i3/i5			
	Core Number	2			
Memory	Socket	1× SO-DIMM			
	Technology	DDR4			
	Standard Capacity	4/8 GB			
	Max Capacity	32 GB			
Storage	Interface	1× Full-size mSata			
	Standard Capacity	256/512 GB			
Panel	Front Bezel	Aluminum alloy with IP65			
	Touch Panel	5-wire/resistive, USB interface			
	Size	15 inch	17 inch	19 inch	21 inch
	Resolution	1,024 × 768	1,280 × 1,024	1,440 × 900	1,920 × 1,080
	Brightness	300 cd/m <sup>2</sup>	250 cd/m <sup>2</sup>	250 cd/m <sup>2</sup>	250 cd/m <sup>2</sup>
	Contrast	1500: 1	1000: 1	1000: 1	1000: 1
	Viewing angle (H/V)	140°/140°	150°/140°	150°/140°	170°/160°
System I/O	COM	3 × RS-232, 1 × RS-485			
	USB	4x USB3.0			
	Ethernet	2 × 10/100/1000 Mbps Ethernet			
	Display	1 × HDMI/1 × VGA			
	Audio	1 × Audio input/output			
Expansion	Mini-PCIe	1 × Full-size mini PCIe for wireless module			
Environment	Anti-vibration	1Grms @ 19 ~ 200Hz			
	Anti-shock	10 g acceleration, 11ms duration			
	PC Operating Temperature	-10 °C ~ 50 °C with air flow			
	Storage Temperature	-20 °C ~ 60 °C			
	Relative Humidity	10 ~ 95% (non-condensing)			
Mechanical	Dimensions (mm)	380 (W) 300 (H) 59 (D)	400 (W) 320 (H) 59 (D)	475 (W) 308 (H) 57 (D)	525 (W) 316 (H) 57 (D)
	Weight	5.2/6.8kg	6.1/8.0kg	7.3/8.8 kg	7.5/8.3 kg
Power Consumption	Input Voltage	With power adapter: Input voltage: 100 ~ 240 V <sub>AC</sub> ; Output voltage/current: 12 V <sub>DC</sub> /5A			
	Standby Mode	10 W	16 W	20 W	20 W
Certifications		CE, FCC Class A, BSMI	CE, FCC Class A	CE, FCC Class A, BSMI	CE, FCC Class A



## Applications

### Factory Digitalization

- Factory data acquisition, process control and management
- Data Information Storage and analysis, realizing distributed system calculation

### Logistic Application: Transportation and Stereoscopic Warehouse

- Material storage arrangement according to database; material load/unload via barcode scanning
- Enhances material storage management/load/unload efficiency, saving space, and reducing manpower



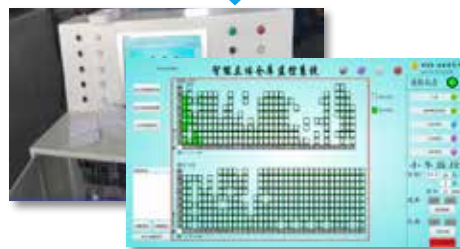
Factory Digitalization



Factory Equipment Monitoring



Warehousing System



Warehouse Monitoring



## Inspection & Monitoring of Electronic Equipment

- Connects PLCs and inspection equipment for routine inspection, realizing powerful group control
- Records daily production, yield rate, and provides inquiry functions



Electronic Inspection Equipment



Inspection and Monitoring Interfaces

## Equipment Monitoring System

- Achieves real-time remote monitoring of machine operating status
- Allows device suppliers to remotely lock/unlock devices for flexible management

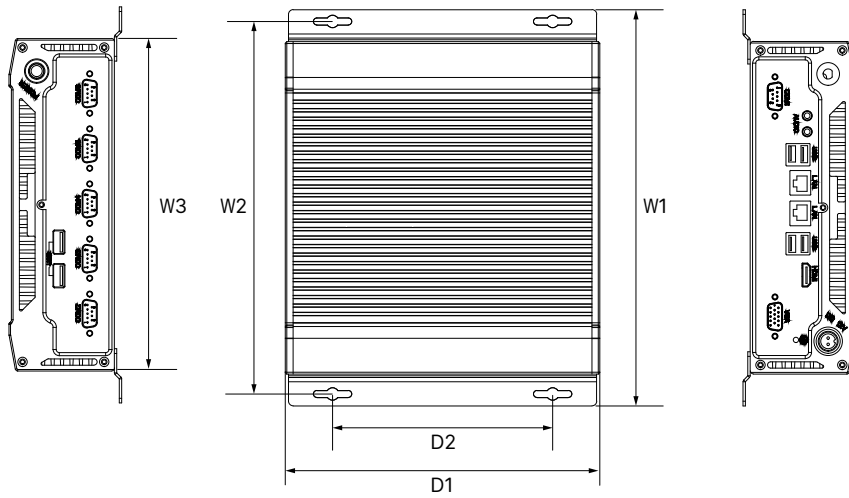


Total Configuration of Equipment Monitoring

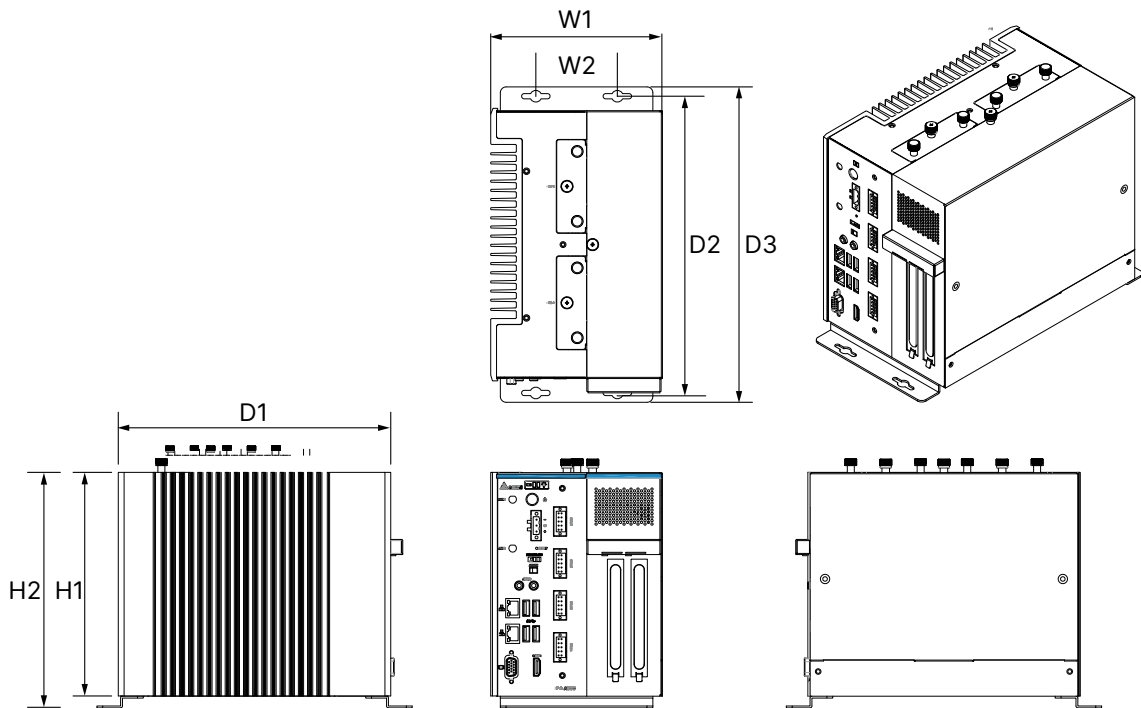


Equipment Remote Monitoring

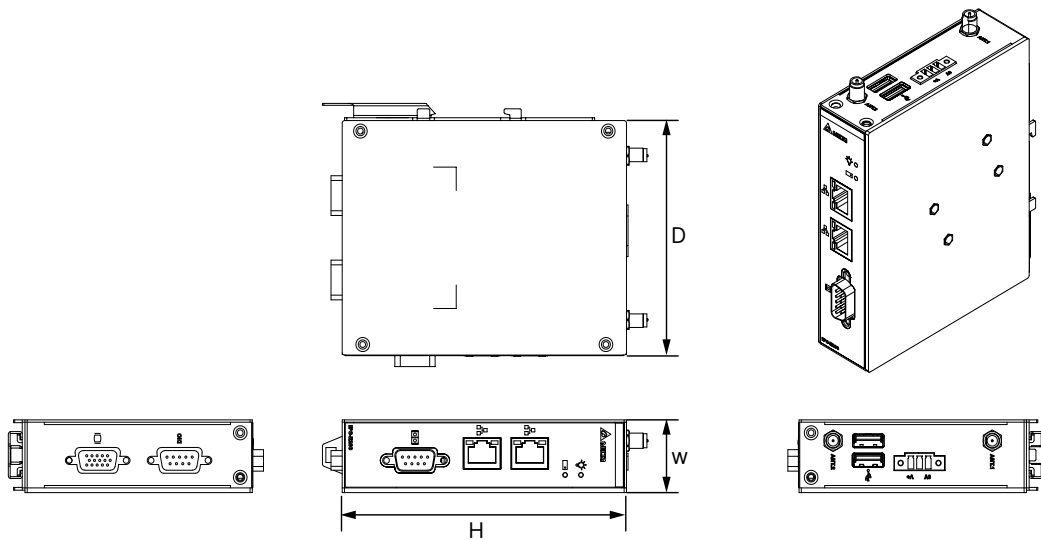
# Dimensions Unit: mm



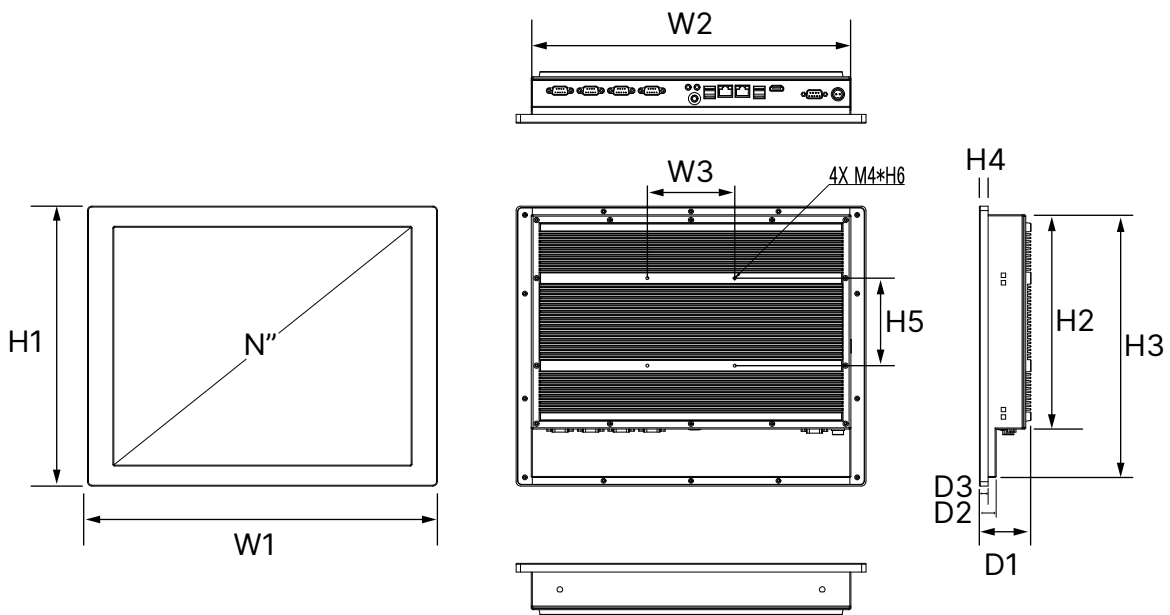
Model	W (mm)			D (mm)		H (mm)	
	W1	W2	W3	D1	D2	H1	H2
DIAVH-IPC00 Series	211.5	236.9	251.9	200	140	67	71.6



Model	W (mm)		D (mm)			H (mm)	
	W1	W2	D1	D2	D3	H1	H2
DIAVH-A300 Series	147.5	70	230	254.8	270.8	192	202.2



Model	W (mm)	D (mm)	H (mm)
IPC-E200 Series	31	100	125



Model	inch	W (mm)			D (mm)			H (mm)				
	N''	W <sup>1</sup>	W <sup>2</sup>	W <sup>3</sup>	D <sup>1</sup>	D <sup>2</sup>	D <sup>3</sup>	H <sup>1</sup>	H <sup>2</sup>	H <sup>3</sup>	H <sup>4</sup>	H <sup>5</sup>
PPC-B212/S312 Series <b>New</b>	12.1	315.8	302.1	100	70	17	5.5	218	150	204.3	26.85	100
PPC-B215/S315 Series <b>New</b>	15.6	408	393.4	100	69.9	16.9	5.5	257.3	210	242.6	18.35	100
PPC-B219/S319 Series <b>New</b>	19	472.3	458.6	100	71.1	17.6	5.4	319.3	210	305.6	36.9	100
DIAVH-PPC10 Series	10	258	239.8	100	57.5	-	10	198	148.4	-	10.5	100
DIAVH-PPC12 Series	12	317	306	100	65.7	13	6	246	190	235	5.5	100
DIAVH-PPC15 Series	15	380	348.8	100	59	19.2	10	300	228.4	268.4	15.8	100
DIAVH-PPC17 Series	17	400	365.4	100	59	19.2	10	320	245	300.4	9.8	100
DIAVH-PPC19 Series	19	475	440.4	100	57	21.2	10	308	245	288.4	9.8	100
DIAVH-PPC21 Series	21	525	499.4	100	57	19.5	9.5	316	245	296	10	100

# Ordering Information

Product	Model Name	Description	Specifications																
			CPU	Memory	Storage	COM	LAN	USB	PCI Expansion	Operating System									
IPC	Embedded Type	IPC-E200-N32202E00	Industrial Fanless Computer	Intel® Celeron N3350	4 GB RAM	64 GB SSD	1	1	2		Win10 IOT								
		IPC-E200-N32202000			IPC hardware only														
	Basic Type	DIAVH-IPC00J104		Intel® Celeron J1900	4 GB RAM	128 GB SSD	6	2	6		Win10-Professional								
		DIAVH-IPC00J103			IPC hardware only														
		DIAVH-IPC00J114			8 GB RAM						Win10-Professional								
		DIAVH-IPC00J113			IPC hardware only														
	Standard Type	DIAVH-IPC003104A		Intel® Core i3	4 GB RAM	256 GB SSD					4	2	6	Win10-Professional					
		DIAVH-IPC003103A			IPC hardware only														
		DIAVH-IPC003114A			8 GB RAM									Win10-Professional					
		DIAVH-IPC003113A			IPC hardware only														
		DIAVH-IPC005104A		Intel® Core i5	4 GB RAM						512 GB SSD	4	2	6	Win10-Professional				
		DIAVH-IPC005103A			IPC hardware only														
		DIAVH-IPC005114A			8 GB RAM										Win10-Professional				
		DIAVH-IPC005113A			IPC hardware only														
		DIAVH-IPC003104		Intel® Core i3	4 GB RAM							512 GB SSD	4	2	6	Win10-Professional			
		DIAVH-IPC003103			IPC hardware only														
		DIAVH-IPC003114			8 GB RAM											Win10-Professional			
		DIAVH-IPC003113			IPC hardware only														
		DIAVH-IPC005104		Intel® Core i5	4 GB RAM								512 GB SSD	4	2	6	Win10-Professional		
		DIAVH-IPC005103			IPC hardware only														
		DIAVH-IPC005114			8 GB RAM												Win10-Professional		
		DIAVH-IPC005113			IPC hardware only														
	Advanced Type	IPC-A300-I334A2E00		Industrial Fanless Computer	Intel® Core i3	8 GB RAM								256 GB SSD	4	2	6	2 × PCI	Win10-Enterprise
		IPC-A300-I334A2000																IPC hardware only	
		IPC-A300-I334B2E00																1 × PCI + 1 × PCIe x16	Win10-Enterprise
		IPC-A300-I334B2000																IPC hardware only	
		IPC-A300-I534A2E00			Intel® Core i5						256 GB SSD							2 × PCI	Win10-Enterprise
		IPC-A300-I534A2000																IPC hardware only	
		IPC-A300-I534B2E00																1 × PCI + 1 × PCIe x16	Win10-Enterprise
		IPC-A300-I534B2000																IPC hardware only	
		IPC-A300-I734A2E00			Intel® Core i7							256 GB SSD						2 × PCI	Win10-Enterprise
		IPC-A300-I734A2000																IPC hardware only	
		IPC-A300-I734B2E00																1 × PCI + 1 × PCIe x16	Win10-Enterprise
		IPC-A300-I734B2000																IPC hardware only	
		IPC-A300-I335A2E00			Intel® Core i3								512 GB SSD	2 × PCI				Win10-Enterprise	
		IPC-A300-I335A2000												IPC hardware only					
		IPC-A300-I335B2E00												1 × PCI + 1 × PCIe x16				Win10-Enterprise	
		IPC-A300-I335B2000												IPC hardware only					
		IPC-A300-I535A2E00			Intel® Core i5						512 GB SSD			2 × PCI				Win10-Enterprise	
		IPC-A300-I535A2000												IPC hardware only					
IPC-A300-I535B2E00		1 × PCI + 1 × PCIe x16	Win10-Enterprise																
IPC-A300-I535B2000		IPC hardware only																	
IPC-A300-I735A2E00		Intel® Core i7	512 GB SSD		2 × PCI		Win10-Enterprise												
IPC-A300-I735A2000					IPC hardware only														
IPC-A300-I735B2E00					1 × PCI + 1 × PCIe x16		Win10-Enterprise												
IPC-A300-I735B2000					IPC hardware only														



Product	Model Name	Description	Specification								
			CPU	Size	Memory	Storage	COM	LAN	USB	Operating system	
PPC	Basic Type	<b>New</b> PPC-B212-J93301E00	Intel® Celeron J1900	12.1- inch	128 GB SSD						Win10 IoT
		<b>New</b> PPC-B212-J93301000									PPC hardware only
		<b>New</b> PPC-B215-J93301E00		15.6- inch							Win10 IoT
		<b>New</b> PPC-B215-J93301000									PPC hardware only
		<b>New</b> PPC-B219-J93301E00		19- inch							Win10 IoT
		<b>New</b> PPC-B219-J93301000									PPC hardware only
	Standard Type	<b>New</b> PPC-S312-I53401E00	Fanless Capacitive Touch Screen Panel PC	Intel® Core i5	12.1- inch	8 GB RAM	256 GB SSD	4	2	4	Win10 IoT
		<b>New</b> PPC-S312-I53401000									PPC hardware only
		<b>New</b> PPC-S315-I53401E00			15.6- inch						Win10 IoT
		<b>New</b> PPC-S315-I53401000									PPC hardware only
		<b>New</b> PPC-S319-I53401E00			19- inch						Win10 IoT
		<b>New</b> PPC-S319-I53401000									PPC hardware only
		<b>New</b> PPC-S312-I53501E00		12.1- inch	512 GB SSD	Win10 IoT					
		<b>New</b> PPC-S312-I53501000				PPC hardware only					
		<b>New</b> PPC-S315-I53501E00		15.6- inch		Win10 IoT					
		<b>New</b> PPC-S315-I53501000				PPC hardware only					
		<b>New</b> PPC-S319-I53501E00		19- inch		Win10 IoT					
		<b>New</b> PPC-S319-I53501000				PPC hardware only					

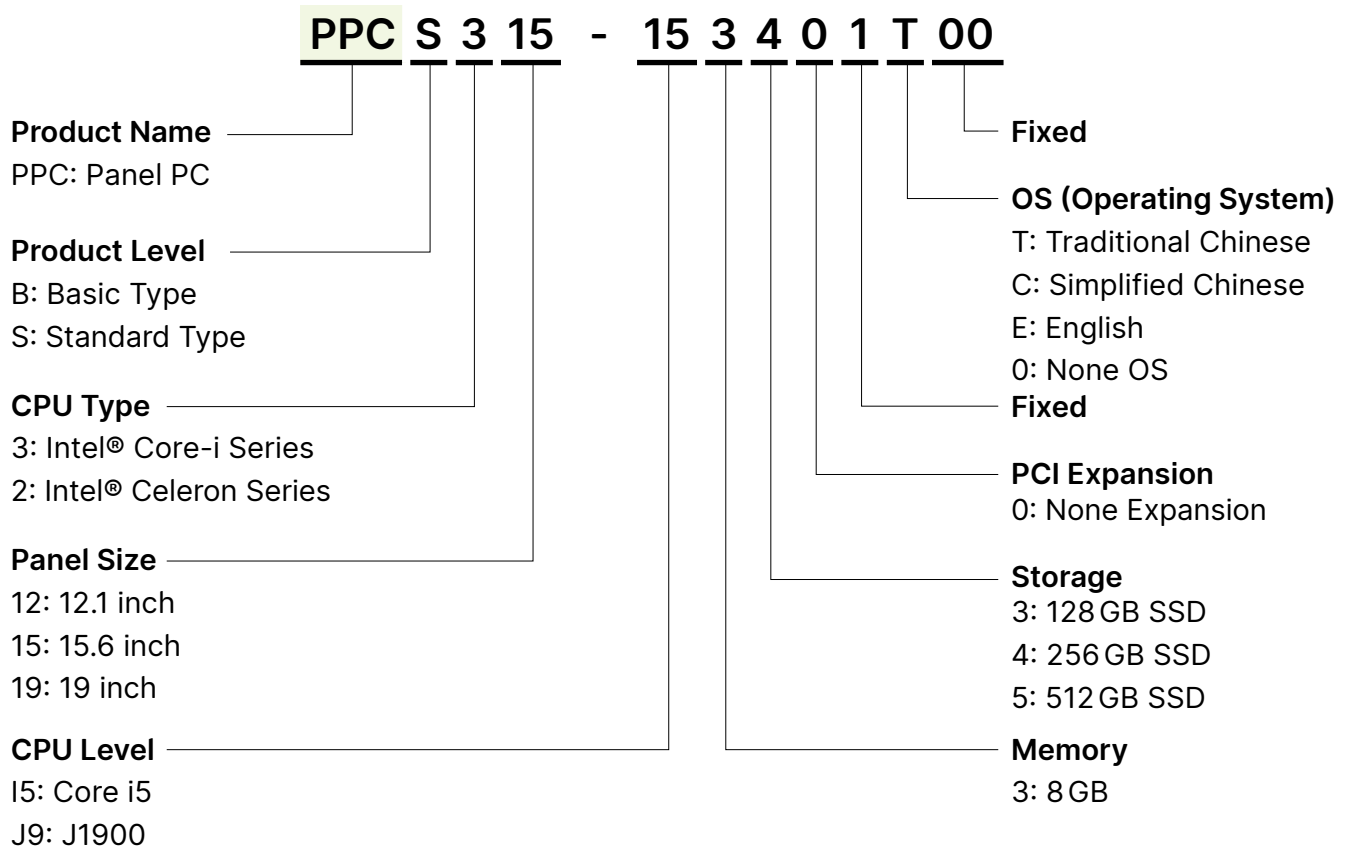
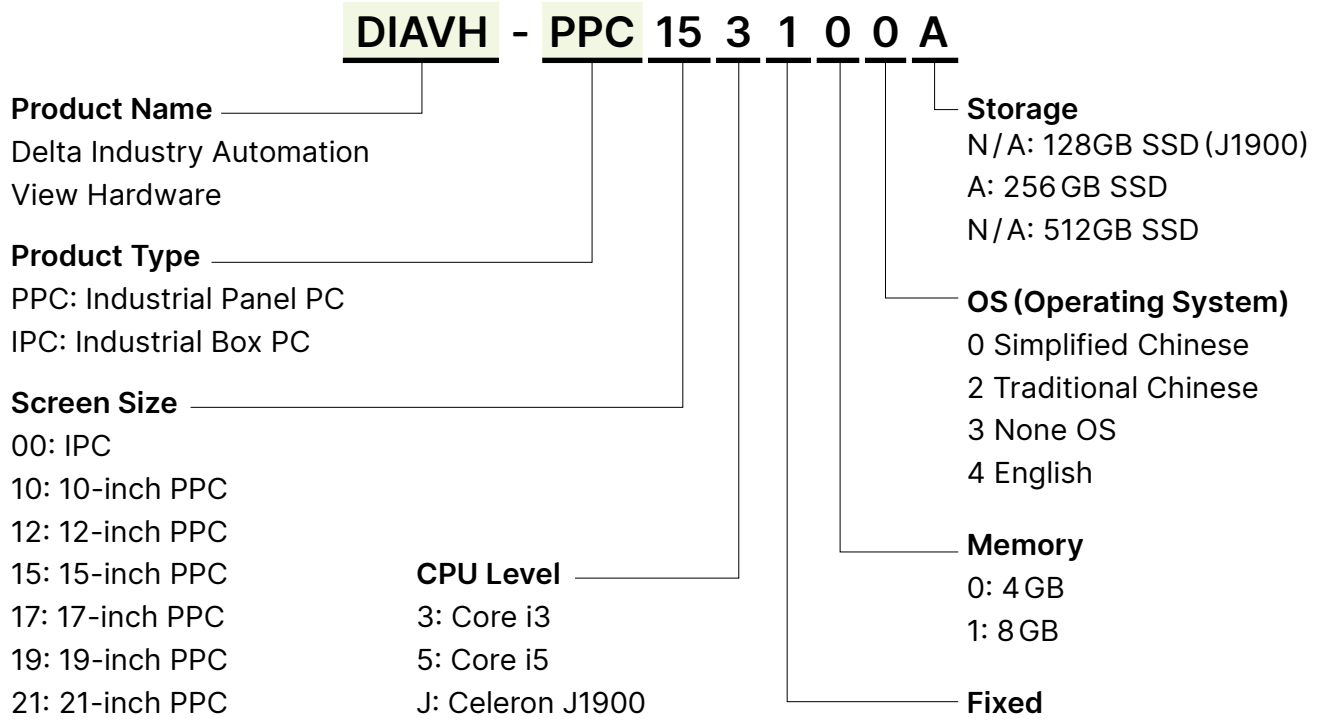
# Ordering Information

Product	Model Name	Description	Specifications									
			CPU	Size	Memory	Storage	COM	LAN	USB	Operating System		
PPC	Basic Type	Fanless Resistive Touch screen Panel PC	Intel® Celeron J1900	10-inch	4 GB RAM	128 GB SSD	4	2	4	Win10-Professional		
					PPC hardware only							
					8 GB RAM					Win10-Professional		
					PPC hardware only							
				12-inch	4 GB RAM					Win10-Professional		
					PPC hardware only							
					8 GB RAM					Win10-Professional		
					PPC hardware only							
				15-inch	4 GB RAM					Win10-Professional		
					PPC hardware only							
					8 GB RAM					Win10-Professional		
					PPC hardware only							
				17-inch	4 GB RAM					Win10-Professional		
					PPC hardware only							
					8 GB RAM					Win10-Professional		
					PPC hardware only							
				19-inch	4 GB RAM					Win10-Professional		
					PPC hardware only							
					8 GB RAM					Win10-Professional		
					PPC hardware only							
	21-inch		4 GB RAM	Win10-Professional								
			PPC hardware only									
			8 GB RAM	Win10-Professional								
			PPC hardware only									
	Standard Type				Intel® Core i3	15-inch	4 GB RAM	256 GB SSD	4	2	4	Win10-Professional
							PPC hardware only					
							8 GB RAM					Win10-Professional
							PPC hardware only					
					Intel® Core i5	15-inch	4 GB RAM					Win10-Professional
							PPC hardware only					
							8 GB RAM					Win10-Professional
							PPC hardware only					
					Intel® Core i3	17-inch	4 GB RAM					Win10-Professional
							PPC hardware only					
8 GB RAM		Win10-Professional										
PPC hardware only												
Intel® Core i5		17-inch			4 GB RAM	Win10-Professional						
					PPC hardware only							
	8 GB RAM		Win10-Professional									
	PPC hardware only											
Intel® Core i3	19-inch	4 GB RAM	Win10-Professional									
		PPC hardware only										
		8 GB RAM	Win10-Professional									
		PPC hardware only										

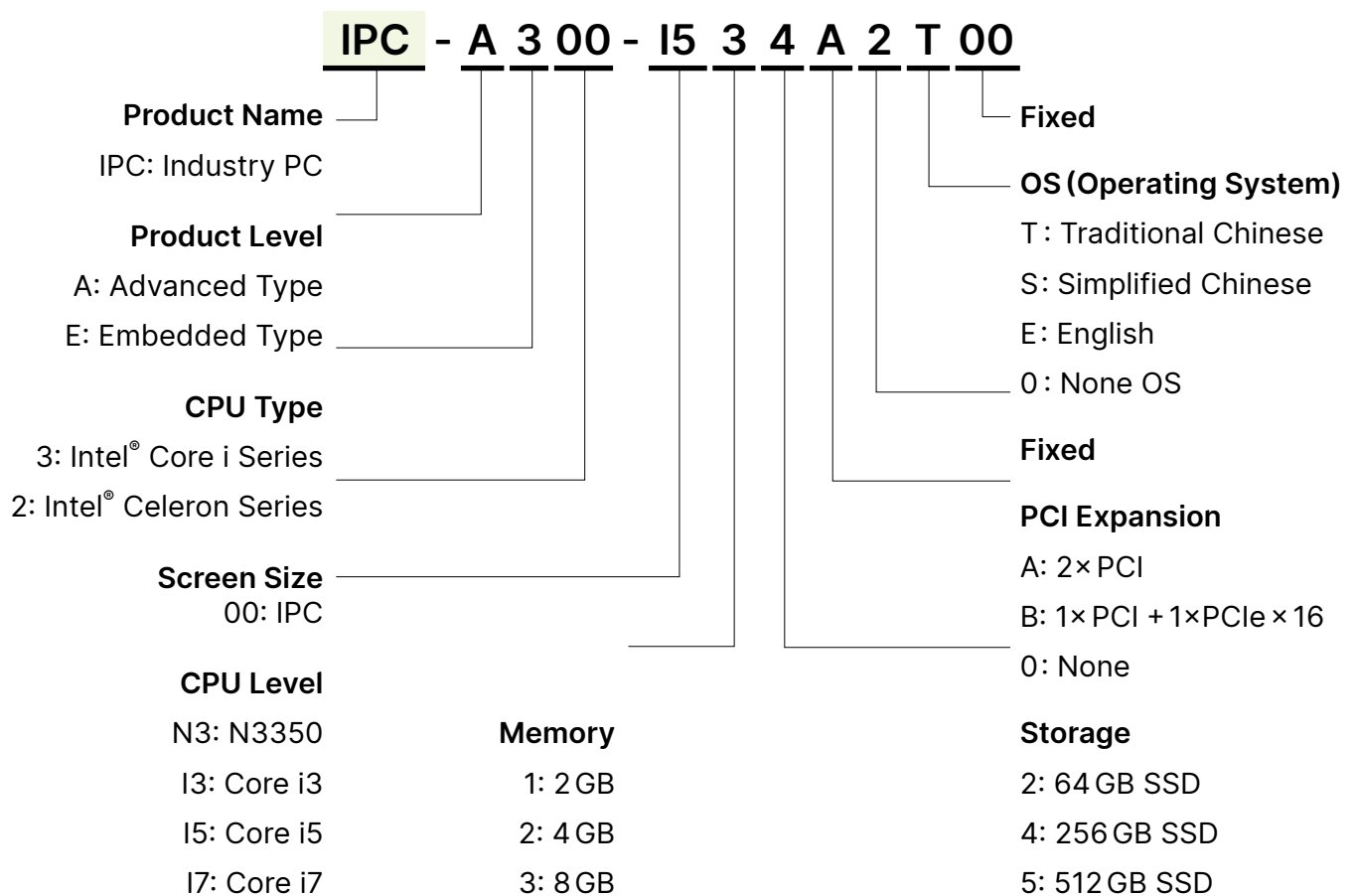
Product	Model Name	Description	Specifications							
			CPU	Size	Memory	Storage	COM	LAN	USB	Operating System
PPC	Standard Type	Fanless Resistive Touch Screen Panel PC	Intel® Core i5	19-inch	4 GB RAM	256 GB SSD	4	2	4	Win10-Professional
					8 GB RAM					PPC hardware only
					4 GB RAM					Win10-Professional
					8 GB RAM					PPC hardware only
			Intel® Core i3	21-inch	4 GB RAM					Win10-Professional
					8 GB RAM					PPC hardware only
					4 GB RAM					Win10-Professional
					8 GB RAM					PPC hardware only
			Intel® Core i5	21-inch	4 GB RAM					Win10-Professional
					8 GB RAM					PPC hardware only
					4 GB RAM					Win10-Professional
					8 GB RAM					PPC hardware only
			Intel® Core i3	15-inch	4 GB RAM	Win10-Professional				
					8 GB RAM	PPC hardware only				
					4 GB RAM	Win10-Professional				
					8 GB RAM	PPC hardware only				
			Intel® Core i5	15-inch	4 GB RAM	Win10-Professional				
					8 GB RAM	PPC hardware only				
					4 GB RAM	Win10-Professional				
					8 GB RAM	PPC hardware only				
			Intel® Core i3	17-inch	4 GB RAM	512 GB SSD				Win10-Professional
					8 GB RAM					PPC hardware only
					4 GB RAM					Win10-Professional
					8 GB RAM					PPC hardware only
			Intel® Core i5	17-inch	4 GB RAM					Win10-Professional
					8 GB RAM					PPC hardware only
					4 GB RAM					Win10-Professional
					8 GB RAM					PPC hardware only
			Intel® Core i3	19-inch	4 GB RAM					Win10-Professional
					8 GB RAM					PPC hardware only
					4 GB RAM					Win10-Professional
					8 GB RAM					PPC hardware only
			Intel® Core i5	19-inch	4 GB RAM	Win10-Professional				
					8 GB RAM	PPC hardware only				
					4 GB RAM	Win10-Professional				
					8 GB RAM	PPC hardware only				
			Intel® Core i3	21-inch	4 GB RAM	Win10-Professional				
					8 GB RAM	PPC hardware only				
					4 GB RAM	Win10-Professional				
					8 GB RAM	PPC hardware only				
Intel® Core i5	21-inch	4 GB RAM	Win10-Professional							
		8 GB RAM	PPC hardware only							
		4 GB RAM	Win10-Professional							
		8 GB RAM	PPC hardware only							

# Model Information

## Basic Type/Standard Type



## Embedded Type / Advanced Type





Smarter. Greener. Together.

## Industrial Automation Headquarters

### Taiwan: Delta Electronics, Inc.

Taoyuan Technology Center  
No.18, Xinglong Rd., Taoyuan District,  
Taoyuan City 33068, Taiwan  
TEL: +886-3-362-6301 / FAX: +886-3-371-6301

## Asia

### China: Delta Electronics (Shanghai) Co., Ltd.

No.182 Minyu Rd., Pudong Shanghai, P.R.C.  
Post code : 201209  
TEL: +86-21-6872-3988 / FAX: +86-21-6872-3996  
Customer Service: 400-820-9595

### Japan: Delta Electronics (Japan), Inc.

Industrial Automation Sales Department  
2-1-14 Shibadaimon, Minato-ku  
Tokyo, Japan 105-0012  
TEL: +81-3-5733-1155 / FAX: +81-3-5733-1255

### Korea: Delta Electronics (Korea), Inc.

1511, 219, Gasan Digital 1-Ro., Geumcheon-gu,  
Seoul, 08501 South Korea  
TEL: +82-2-515-5305 / FAX: +82-2-515-5302

### Singapore: Delta Energy Systems (Singapore) Pte Ltd.

4 Kaki Bukit Avenue 1, #05-04, Singapore 417939  
TEL: +65-6747-5155 / FAX: +65-6744-9228

### India: Delta Electronics (India) Pvt. Ltd.

Plot No.43, Sector 35, HSIIDC Gurgaon,  
PIN 122001, Haryana, India  
TEL: +91-124-4874900 / FAX: +91-124-4874945

### Thailand: Delta Electronics (Thailand) PCL.

909 Soi 9, Moo 4, Bangpoo Industrial Estate (E.P.Z),  
Pattana 1 Rd., T.Phraksa, A.Muang,  
Samutprakarn 10280, Thailand  
TEL: +66-2709-2800 / FAX: +66-2709-2827

### Australia: Delta Electronics (Australia) Pty Ltd.

Unit 2, Building A, 18-24 Ricketts Road,  
Mount Waverley, Victoria 3149 Australia  
Mail: IA.au@deltaww.com  
TEL: +61-1300-335-823 / +61-3-9543-3720

## Americas

### USA: Delta Electronics (Americas) Ltd.

5101 Davis Drive, Research Triangle Park, NC 27709, U.S.A.  
TEL: +1-919-767-3813

### Brazil: Delta Electronics Brazil Ltd.

Estrada Velha Rio-São Paulo, 5300 Eugênio de  
Melo - São José dos Campos CEP: 12247-004 - SP - Brazil  
TEL: +55-12-3932-2300 / FAX: +55-12-3932-237

### Mexico: Delta Electronics International Mexico S.A. de C.V.

Gustavo Baz No. 309 Edificio E PB 103  
Colonia La Loma, CP 54060  
Tlalnepantla, Estado de México  
TEL: +52-55-3603-9200

## EMEA

### EMEA Headquarters: Delta Electronics (Netherlands) B.V.

Sales: Sales.IA.EMEA@deltaww.com  
Marketing: Marketing.IA.EMEA@deltaww.com  
Technical Support: iatechnicalsupport@deltaww.com  
Customer Support: Customer-Support@deltaww.com  
Service: Service.IA.emea@deltaww.com  
TEL: +31(0)40 800 3900

### BENELUX: Delta Electronics (Netherlands) B.V.

Automotive Campus 260, 5708 JZ Helmond, The Netherlands  
Mail: Sales.IA.Benelux@deltaww.com  
TEL: +31(0)40 800 3900

### DACH: Delta Electronics (Netherlands) B.V.

Coesterweg 45, D-59494 Soest, Germany  
Mail: Sales.IA.DACH@deltaww.com  
TEL: +49 2921 987 238

### France: Delta Electronics (France) S.A.

ZI du bois Challand 2, 15 rue des Pyrénées,  
Lisses, 91090 Evry Cedex, France  
Mail: Sales.IA.FR@deltaww.com  
TEL: +33(0)1 69 77 82 60

### Iberia: Delta Electronics Solutions (Spain) S.L.U

Ctra. De Villaverde a Vallecas, 265 1º Dcha Ed.  
Hormigueras – P.I. de Vallecas 28031 Madrid  
TEL: +34(0)91 223 74 20  
Carrer Llacuna 166, 08018 Barcelona, Spain  
Mail: Sales.IA.Iberia@deltaww.com

### Italy: Delta Electronics (Italy) S.r.l.

Via Meda 2-22060 Novedrate(CO)  
Piazza Grazioli 18 00186 Roma Italy  
Mail: Sales.IA.Italy@deltaww.com  
TEL: +39 039 8900365

### Turkey: Delta Greentech Elektronik San. Ltd. Sti. (Turkey)

Şerifali Mah. Hendem Cad. Kule Sok. No:16-A  
34775 Ümraniye – İstanbul  
Mail: Sales.IA.Turkey@deltaww.com  
TEL: + 90 216 499 9910

### MEA: Eltek Dubai (Eltek MEA DMCC)

OFFICE 2504, 25th Floor, Saba Tower 1,  
Jumeirah Lakes Towers, Dubai, UAE  
Mail: Sales.IA.MEA@deltaww.com  
TEL: +971(0)4 2690148

\*We reserve the right to change the information in this catalogue without prior notice.