



Xtra Slim Laser Video Wall

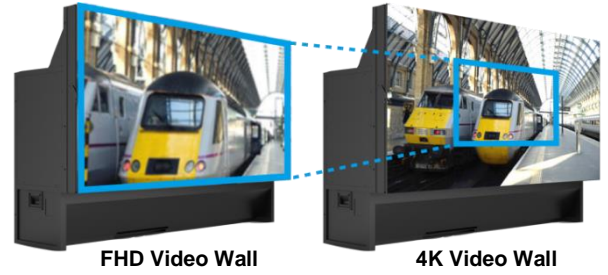
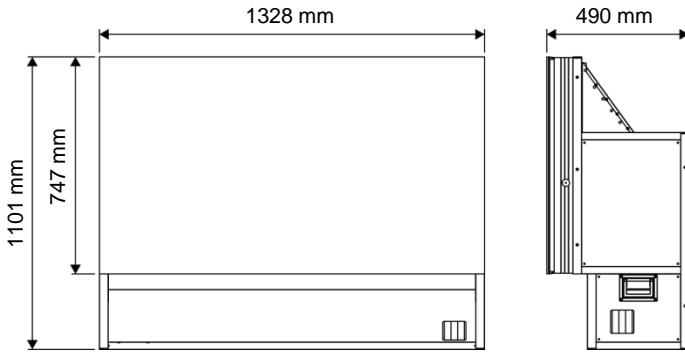
60" 4K Laser Video Wall

- Industry's slimmest laser cube design to reduce space requirements
- 4K resolution offers sharp image quality for monitoring finest details
- Ultra-High brightness for use in challenging environments
- High lumen efficiency to reduce total cost of ownership
- Browser/Server based architecture for quick monitoring



60" 4K Laser Video Wall

Delta's laser video wall is a rear projection, laser based 4K video wall that offers environment friendly laser illumination, ultra high brightness and true cube redundancy. Industry's first ultra-bright laser based DLP® video wall improves energy savings of up to 33%.



Sharp Image quality with 4K resolution for 4x monitoring area then FHD.

Specifications

Model	DVS-60ARS / DVS-60AFS					
Description	Laser Light Source 4K Cube					
Individual Cube Size	60" Diagonal					
Image Size	1328 x 747 mm					
Display Technology	DLP, single chip					
Native Resolution	3840 x 2160 pixels					
Aspect Ratio	16:9					
Screen to Screen Gap	Rear Access : 0.2mm, Front Access : 1.0 mm					
Light Source	Laser					
Brightness	Typ. 2500 lumens*1					
Brightness Uniformity	Up to 95%					
Contrast Ratio	Typ. 1600:1					
Colors	16.7 million					
Color Gamut	Red : x: 0.647 ± 0.025, y : 0.342 ± 0.025					
	Green: x :0.319 ± 0.025, y: 0.642 ± 0.025					
	Blue : x : 0.142 ± 0.015, y: 0.017 ± 0.015					
Color Temperature Range	3200K to 9300K, Custom					
Standard Inputs	1x Digital DVI-D, 1x Digital HDMI (2.0), 1x Analog D-sub 15pin, 1x DP(1.2)					
Optional Board	Inputs	2x Digital DVI-D (dual link)				
	Outputs	2x Digital DVI-D (dual link)				
Control Options	RS-232 / RS 422, IP, IR					
Screen Brightness	Screen Type	Bright ² mode	Normal mode	ECO mode	Screen Viewing Angle (1/2 Gain)	
	CSI	700 cd/m ²	600 cd/m ²	400 cd/m ²	H: 36°	V: 34°
	XMD-AG	750 cd/m ²	640 cd/m ²	440 cd/m ²	H: 31°	V: 17°
Light source Average Life	60,000 hours	80,000 hours	100,000 hours			
Power Consumption	280 w	250 w	170 w			
Input Voltage	AC 90-240V @ 50/60 hz					
Power Supply	Single Power Supply					
Dimension (W x H x D)	Dimension: 1328 x 1007 x 490 mm					
Operating Temperature	5°C ~ 40°C (41°F ~ 104°F)					
Non-Operating Temperature	-20°C ~ 60°C (-4°F ~ 140°F)					
Operating / Storage Humidity	10% ~ 90%, non-condensing					

Note: *1.Full on mode Engine Brightness, . *2. To set Bright mode meet 60K hrs.

※ All specifications are subject to change without prior notice.

Ver:8.2017