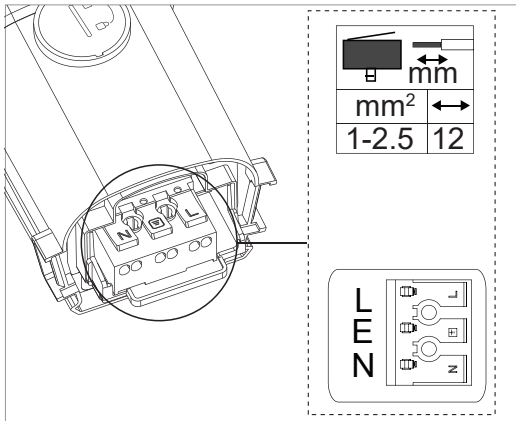
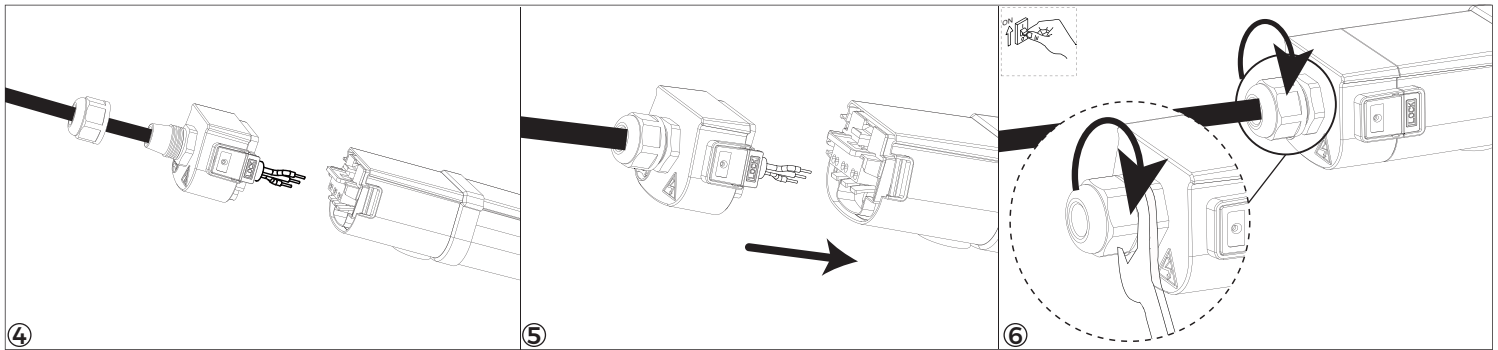
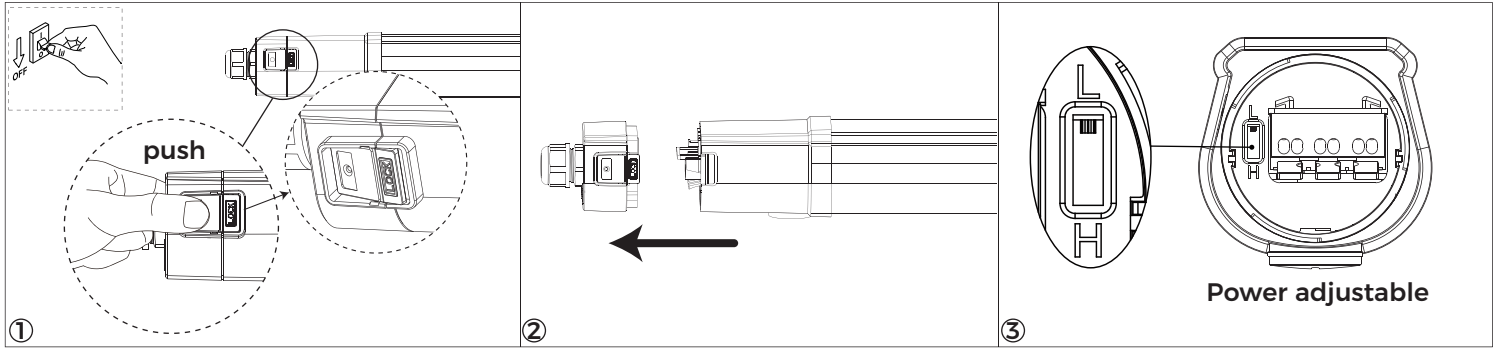


## ⚠ General Safety Information

- Installation, commissioning and maintenance only by qualified electrician.
- Never perform any work on the luminaire with voltage applied. Danger to life due to electric shock!
- Electric connection must be appropriate according to all applicable standards and other national and international safety and accident prevention regulations.
- Damaged luminaires must not be operated.
- Observe and retain safety instructions and mounting instructions.
- No liability is accepted for damages resulting from improper use.
- Use genuine parts only for repair.



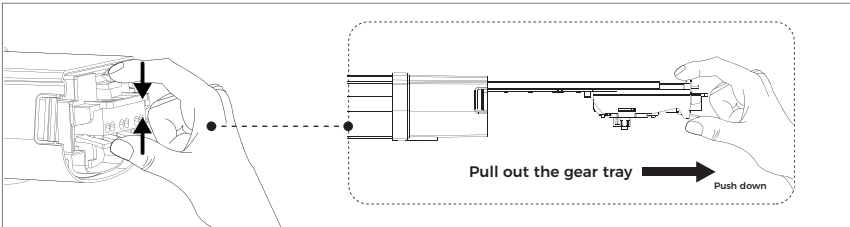
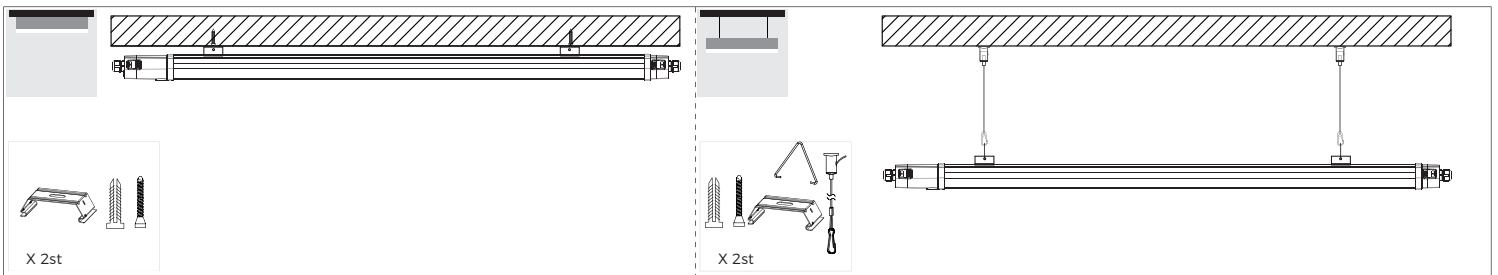
Circuit breakers

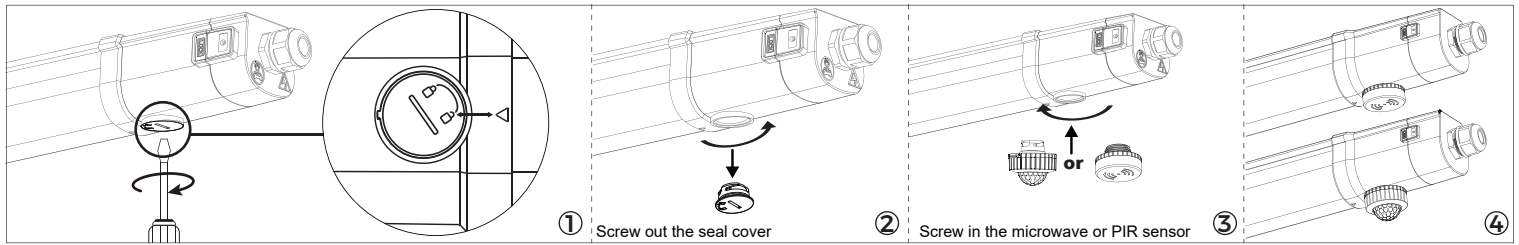
1	2	3	...	n
B10	B16	C10		C16
17	27	24		39

Linkable qty

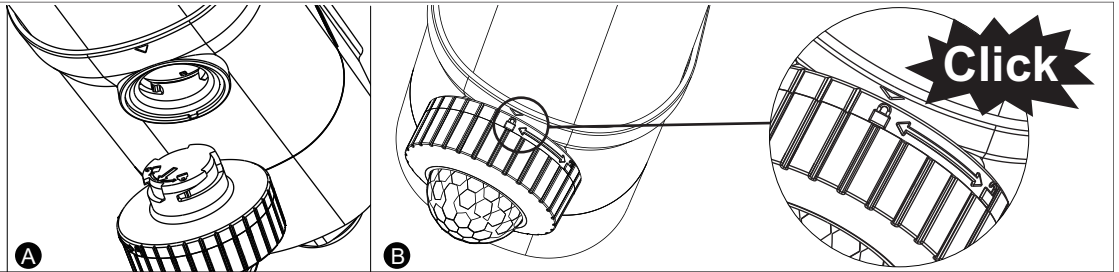
2x ...nx

SIZE	INPUT	NX	NX
1200mm	230vac	30(22W)	22(30W)
1500mm	230vac	23(28W)	16(40W)

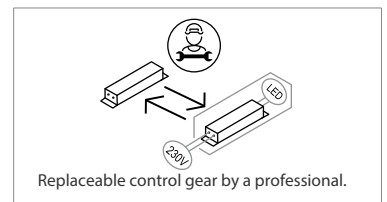
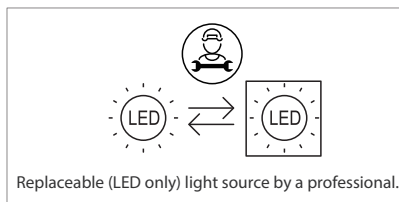




**NOTE:**  
 A. Pay attention to the arrow pointing.  
 B. Screw in microwave or PIR sensor properly.



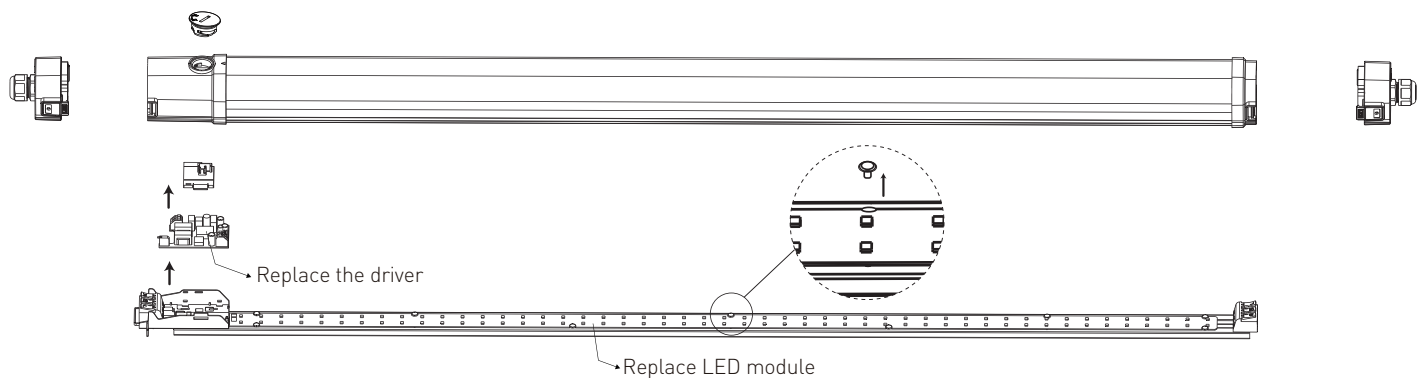
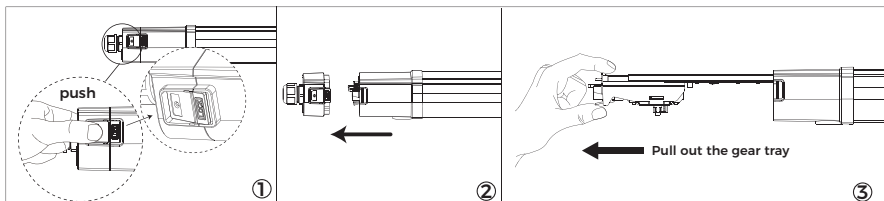
CCT	EET
4000/5000K	B
3000/6500K	C



This product contains a light source of energy efficiency class <B>/<C>.

### Replace method :

1. Open the end caps at both ends.
2. Pull out the end caps on both sides.
3. Pull out the LED module from the housing, Circuit breakers, Disconnect the cables on PCB board and driver.
4. Replace PCB and driver accordingly.



### Delta Electronics Europe

Zandsteen 15  
 2132 MZ Hoofddorp, The Netherlands  
 TEL: +31-20-800-0900  
 FAX: +31-20-800-0999

For more product information and sales inquiries,  
 please contact [sleu@deltaww.com](mailto:sleu@deltaww.com)  
[www.delta-emea.com/ledlighting](http://www.delta-emea.com/ledlighting)

### Temperature Characteristics T-ambient 25 °C

Operating -20~+40 °C  
 Storage -40~+85 °C

### Electrical Characteristics

Input Voltage: AC220~240V 50/60Hz  
 PF: ≥0.90 THD<20%  
 Power Efficiency: ≥0.87