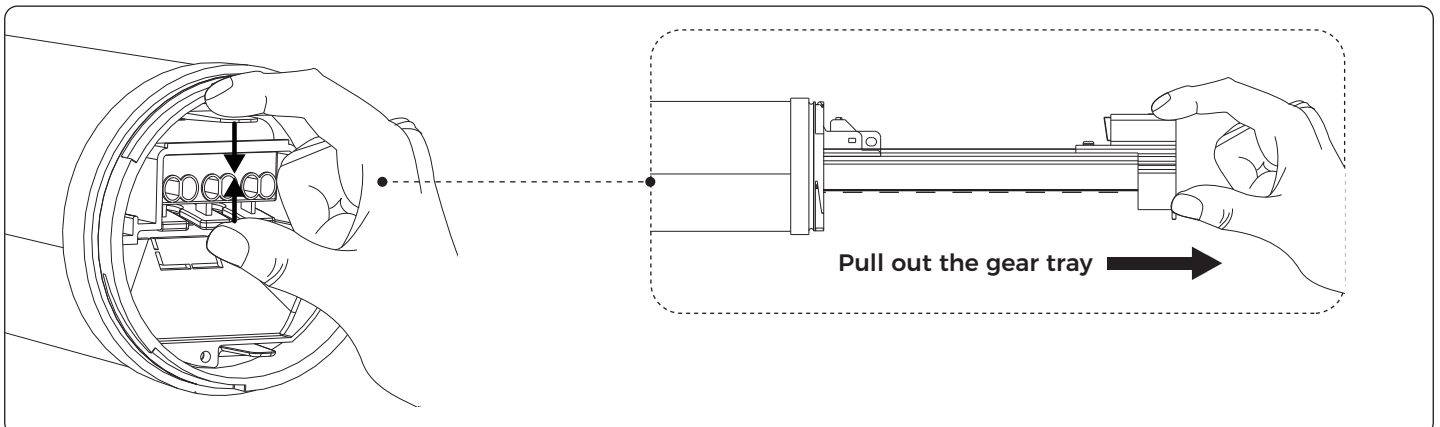
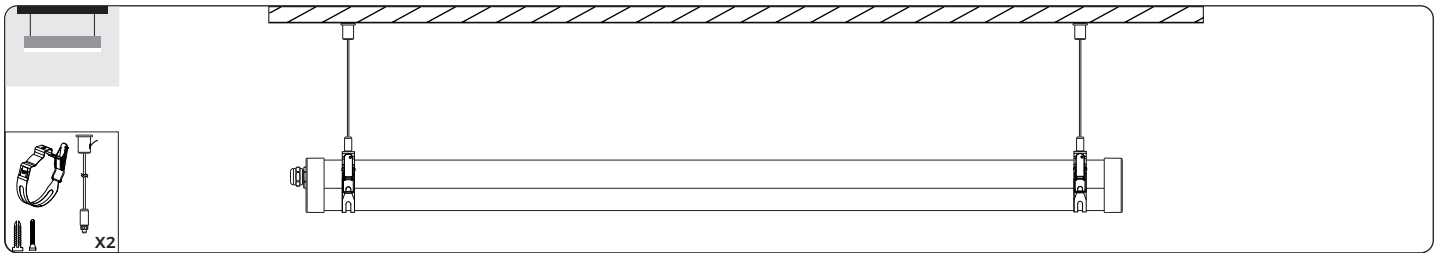
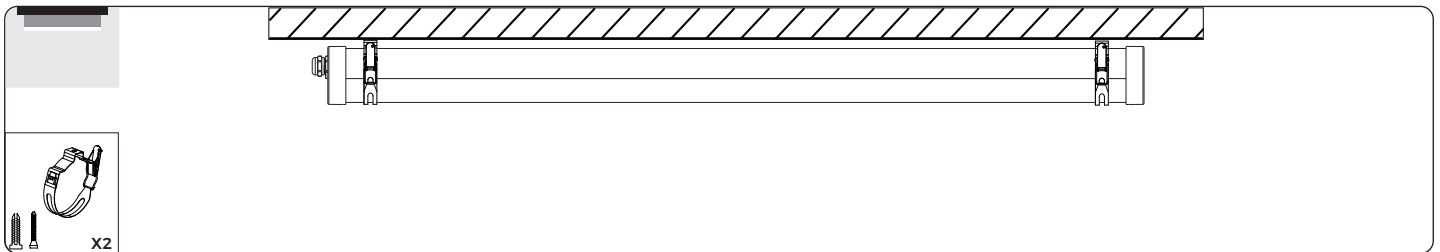
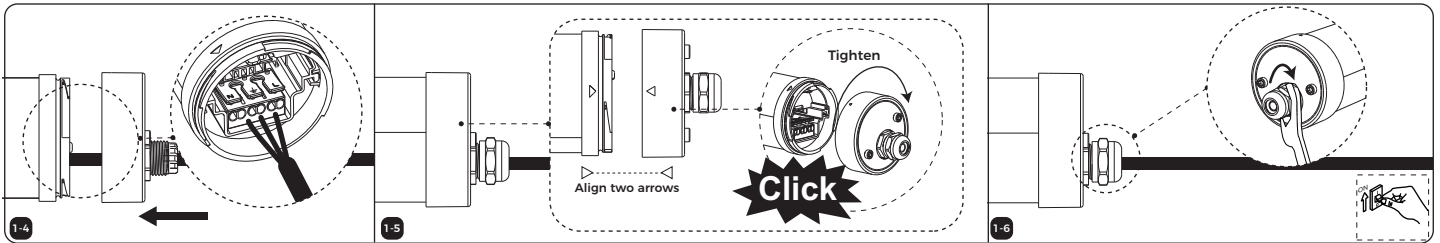
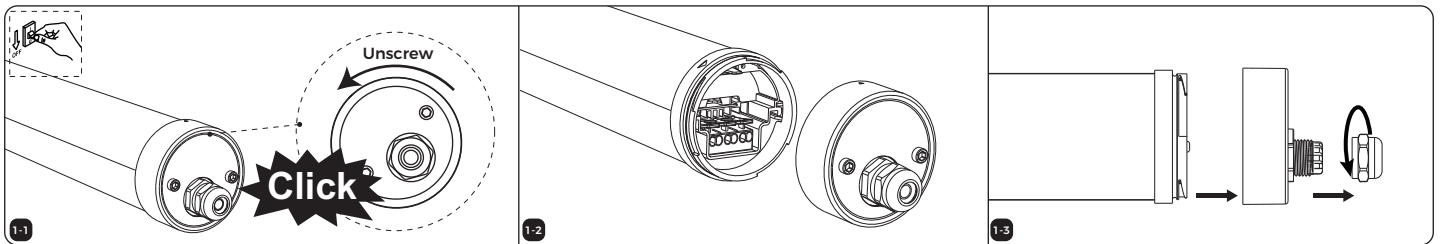
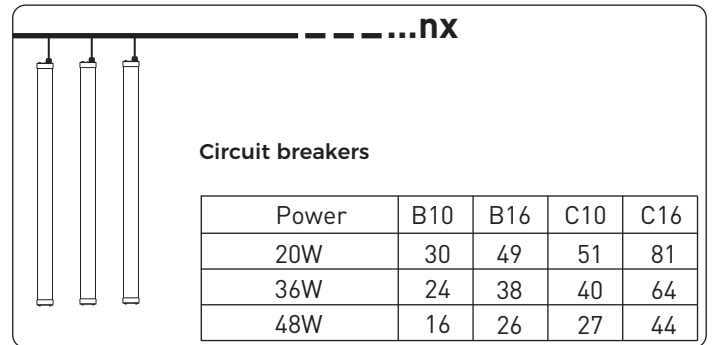
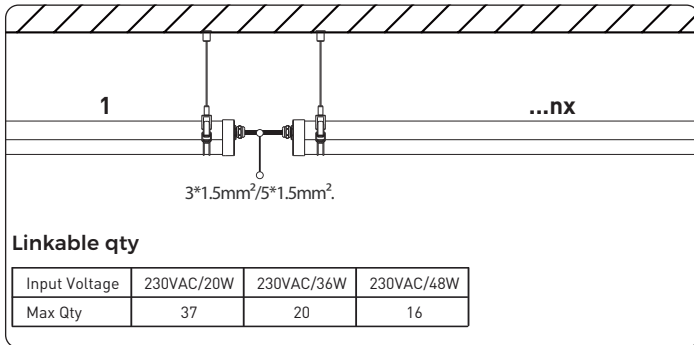
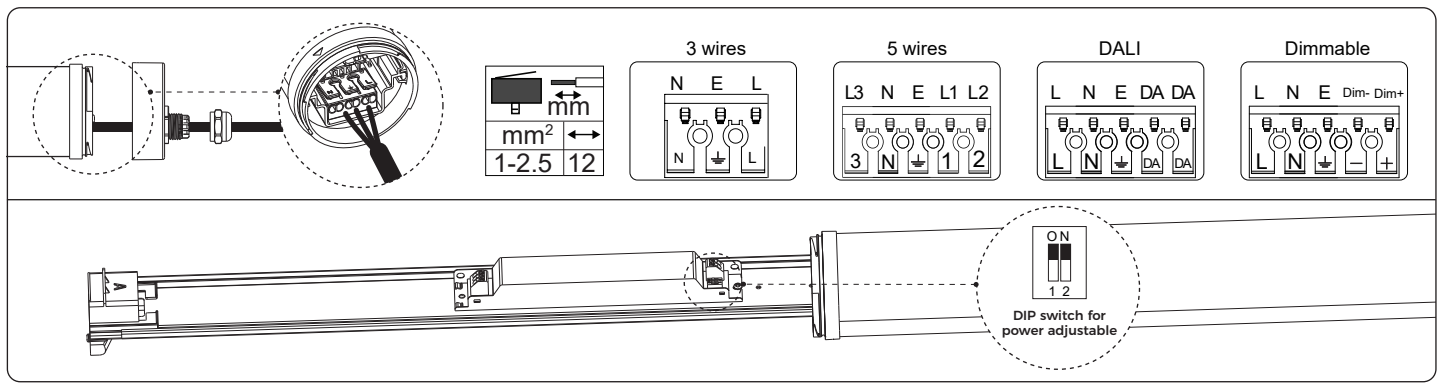




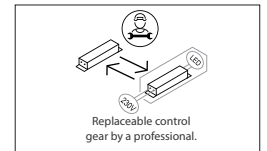
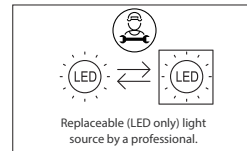
General Safety Information

- Installation, commissioning and maintenance only by qualified electrician.
- Never perform any work on the luminaire with voltage applied. Danger to life due to electric shock!
- Electric connection must be appropriate according to all applicable standards and other national and international safety and accident prevention regulations.
- Damaged luminaires must not be operated.
- Observe and retain safety instructions and mounting instructions.
- No liability is accepted for damages resulting from improper use.
- Use genuine parts only for repair.





CCT	EET
4000/5000K	B
3000/6500K	C



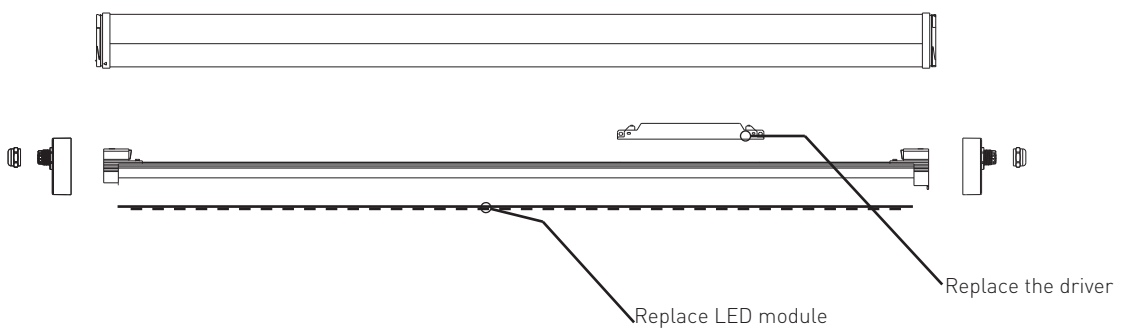
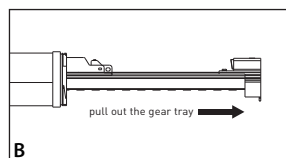
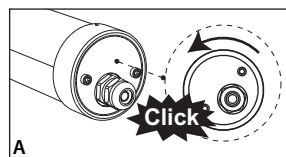
This product contains a light source of energy efficiency class /<C>.

Replace method:

A: Unscrew the covers at both ends.

B: Release the screw at the end cap.

C: After the replacement is completed, reinstall it according to the original disassembly method.



Delta Electronics Europe

Zandsteen 15
 2132 MZ Hoofddorp, The Netherlands
 TEL: +31-20-800-0900
 FAX: +31-20-800-0999

For more product information and sales inquiries,
 please contact sleu@deltaww.com
www.delta-emea.com/ledlighting