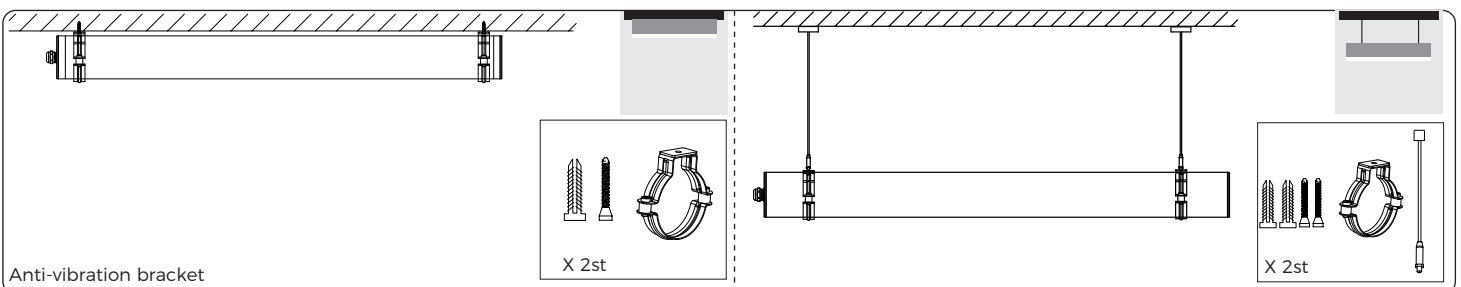
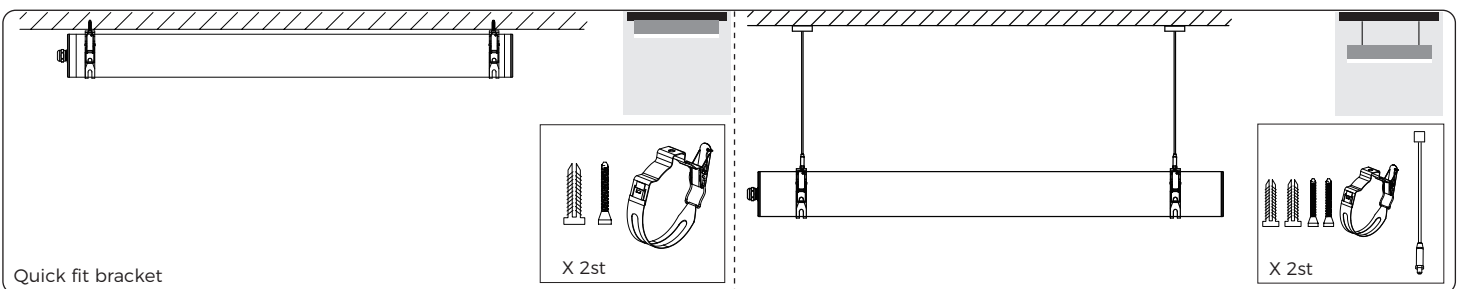
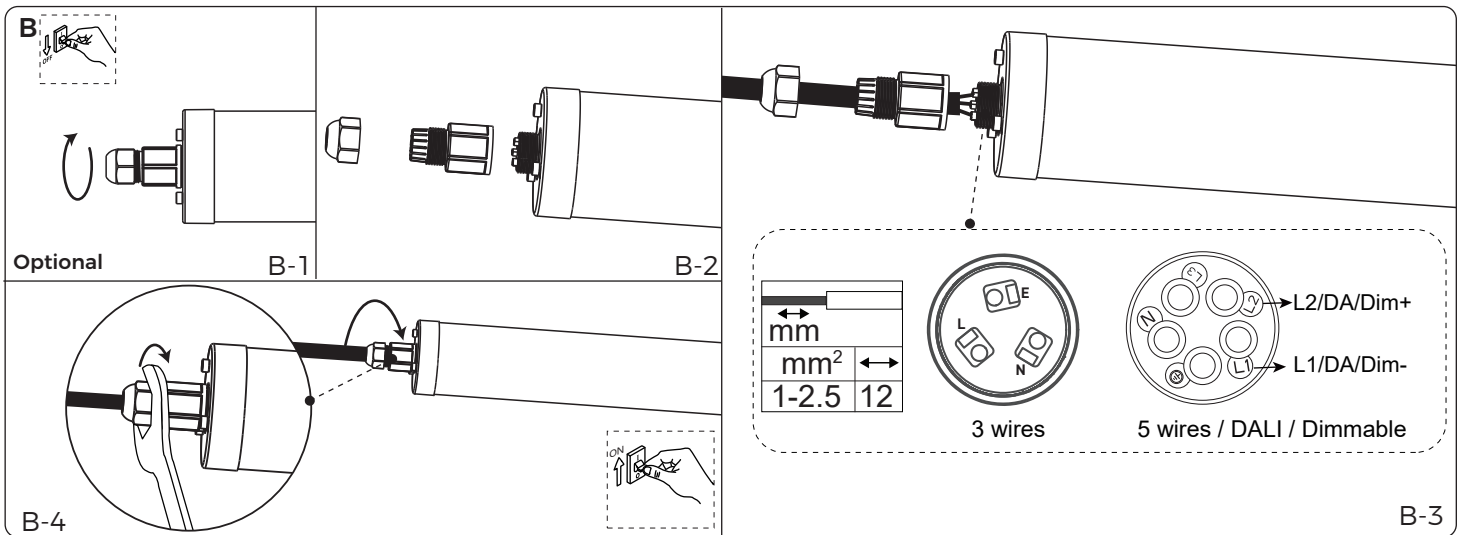
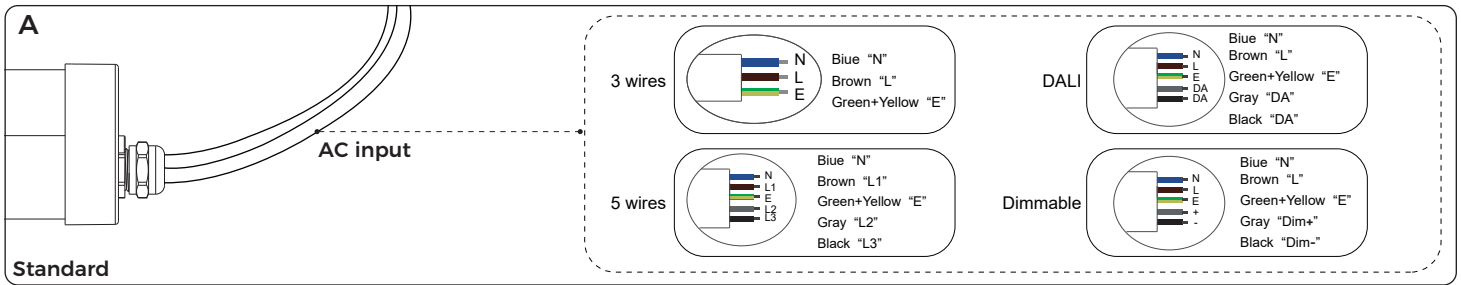
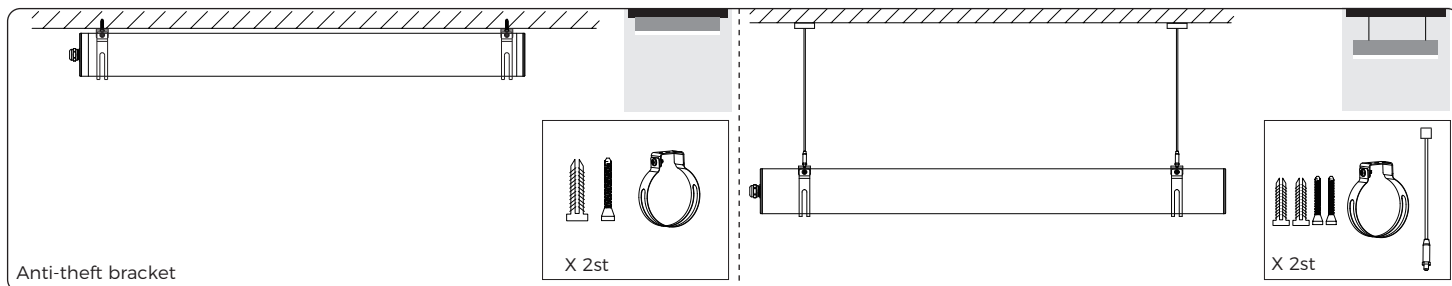


⚠ General Safety Information

- Installation, commissioning and maintenance only by qualified electrician.
- Never perform any work on the luminaire with voltage applied. Danger to life due to electric shock!
- Electric connection must be appropriate according to all applicable standards and other national and international safety and accident prevention regulations.
- Damaged luminaires must not be operated.
- Observe and retain safety instructions and mounting instructions.
- No liability is accepted for damages resulting from improper use.
- Use genuine parts only for repair.





Circuit breakers

	B10	B16	C10	C16
20W	30	49	51	81
36W	24	38	40	64
48W	16	26	27	44

Linkable qty

2x ...nx

Input Voltage	230VAC/20W	230VAC/36W	230VAC/48W
Max Qty	37	20	16

CCT	EET
4000/5000K	B
3000/6500K	C

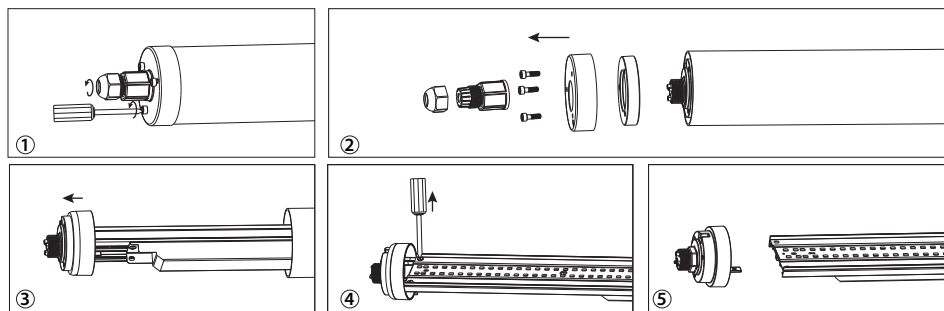
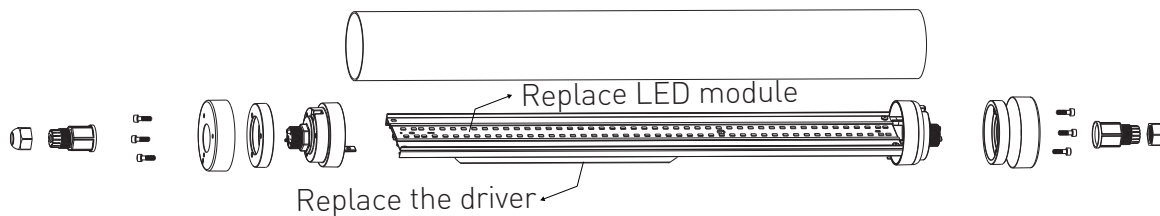
Replaceable (LED only) light source by a professional.

Replaceable control gear by a professional.

This product contains a light source of energy efficiency class /<C>.

Replace method:

1. Open the endcap and take out the module.
2. Remove the cables and plastic clips connecting the PCB board or screws on the power supply.
3. Replace the PCB board or driver with new one.



Delta Electronics Europe

Zandsteen 15
 2132 MZ Hoofddorp, The Netherlands
 TEL: +31-20-800-0900
 FAX: +31-20-800-0999

For more product information and sales inquiries,
 please contact sleu@deltaww.com
www.delta-emea.com/ledlighting