

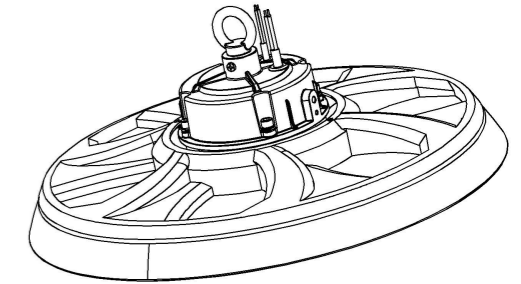
SB Gen2 Series Luminaire

Installation Instructions

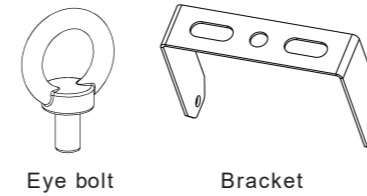


Type	Wattage	Input Voltage	CCT	Beam Angle	Weight
SBDB74H0DE-2	70 W	220-240 Vac	4000K	100°	3.5 kg
SBDB94H0DE-2	90 W				
SBDBC4H0DE-2	120 W				
SBDBF4H0DE-2	150 W				
SBDBM4H0DE-2	180 W				
SBDBN4H0DE-2	210 W				

SBDxx5xxxE-2: CCT 5000K
 SBDxx60xE-2: Beam Angle 60°
 SBDxxA4xE-2: Beam Angle 40° * 90°
 SBDxxxxME-2: Occupancy sensor



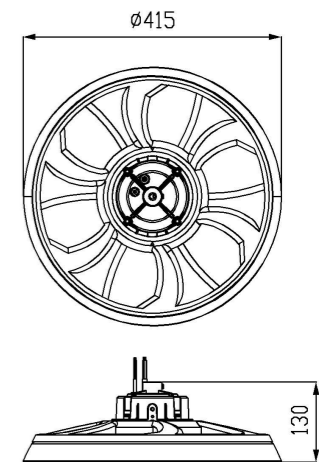
Accessories



Breaker type	10A	16A	20A	25A
B	6	9	12	15
C	10	16	20	26
K	20	33	41	52

$I_{peak}=40.5A$ and duration=316uS,
 breaker number @230Vac

Dimension

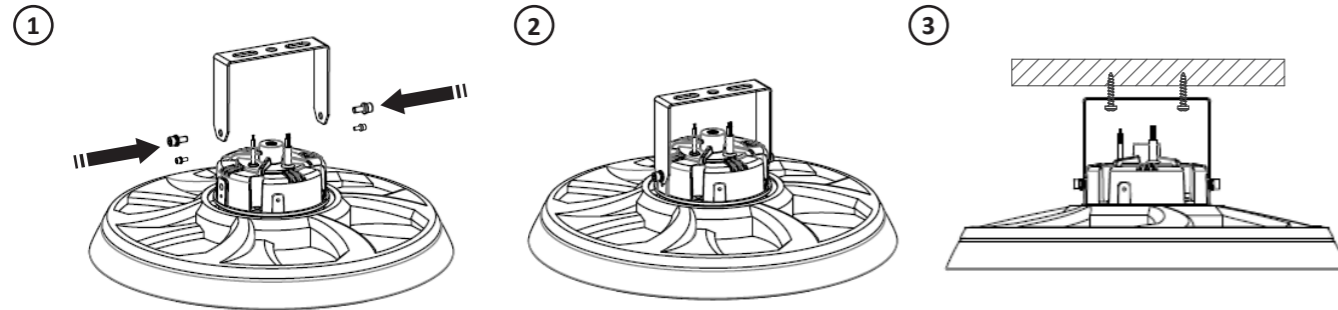


WARNING

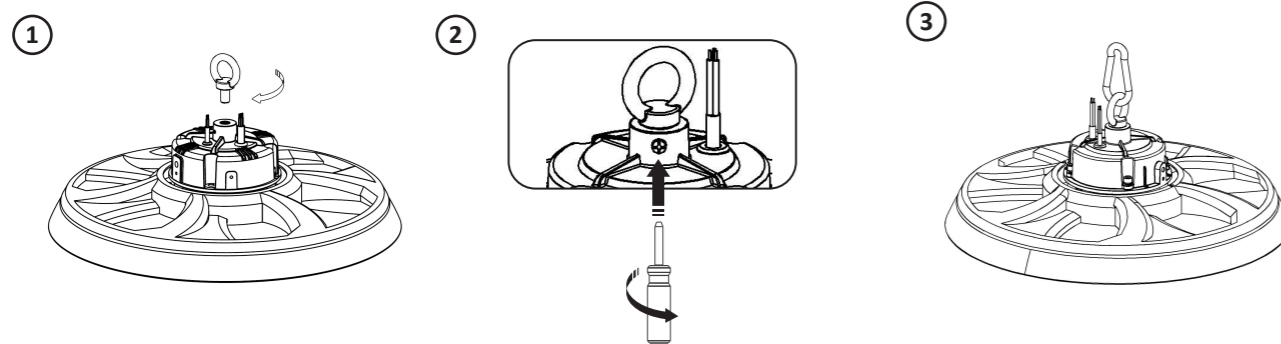
- This product must be installed in accordance with applicable local, state, and national electrical codes by a licensed person familiar with the construction and operation of the product and hazards involved.
- This luminaire must be adequately grounded for protection against shock hazards and to assure proper operation.
- The external flexible cable or cord of this luminaire cannot be replaced; if the cord is damaged, the luminaire shall be destroyed.
- Please turn the mains power off before cleaning. Only damp microfiber cloth can be used for cleaning.
- The light source contained in this luminaire shall only be replaced by the manufacturer or his service agent or a similar qualified person.
- **Caution, risk of electric shock**
- This product is not for household use.
- The luminaire should be positioned so that prolonged staring into the luminaire at a distance closer than 1.8 m is not expected.
- Terminal block is not included. Installation may require advice from a qualified person.

Installation

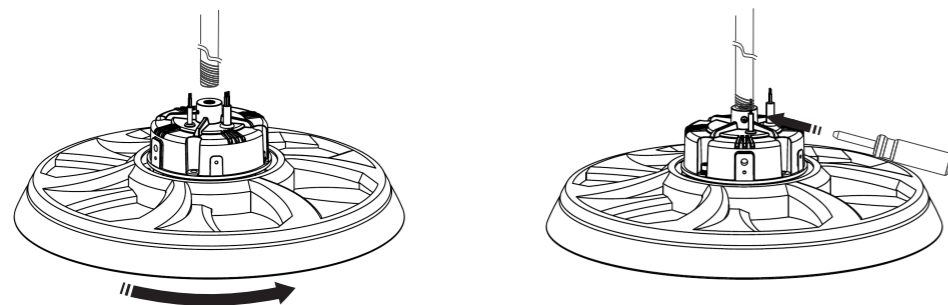
- Wall mounting / M6: 2.2 ft-lbs (30 Kgf.cm)
M4: 0.6 ft-lbs (8 Kgf.cm)



- Hook mounting



- Pendant mounting / screw thread : M10

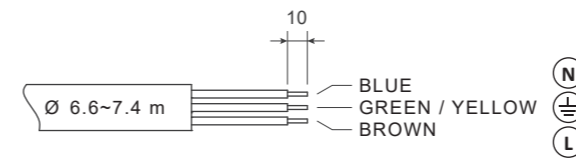


Wiring

- Wiring Connection

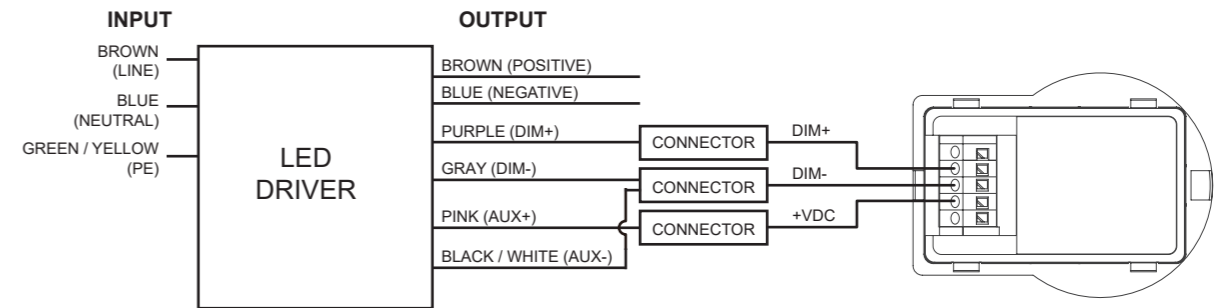
/ H05RN-F 3X1.0 mm²

/ Terminal Block Selection



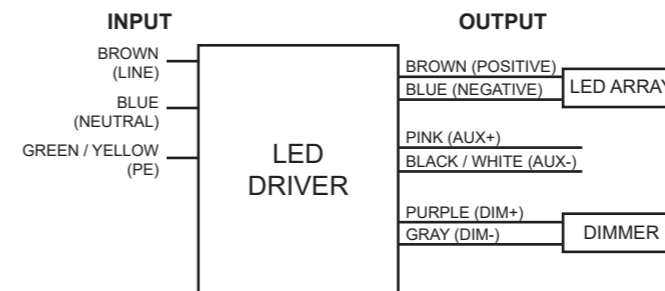
- The type of terminal: Both screw and screwless terminals can be used
- Number of terminals: Three terminals (L/N/PE) (Please refer to Wiring Connection drawing)
- Rated voltage: 220Vac-240Vac
- Rated connecting capacity: 1.0mm² gauge cable wire connection and 1.5A current rating
- Any necessary preparation of the ends of conductors: No need
- Any fixing method: No need

/ Sensor (only for SBDxxxxME-2)



- Optional Installation

/ 0~10V Dimmer



- A 10V Signal is about 100% lumen output
- A 0 V Signal is about 0% lumen output
- Basic insulation between V supply and control conductors shall be provided
- For safety reasons, please keep the PINK (AUX+) and BLACK / WHITE (AUX-) wire inside the IP65 junction box and make sure it is properly isolated by means of a connector

/ DALI application

