



High Bay Luminaire Series

INSTALLATION INSTRUCTIONS

The High Bay Luminaire is ideal for installations with mounting heights over 25 feet. (7.625 m) The fixture can be mounted with a hook or pendant with flexible adjustments to create uniform light from fixture to fixture.

WARNING:

- This product must be installed in accordance with applicable local, state, and national electrical codes by a licensed person familiar with the construction and operation of the product and hazards involved.
- This luminaire must be adequately grounded for protection against shock hazards and to assure proper operation.
- Disconnect power before servicing.
- Suspend from adequate structure that can safely support the fixture.
- MIN 90°C SUPPLY CONDUCTORS
- Do not operate in ambient temperatures above those indicated on the luminaire Label.
- Make sure the supply voltage is within the voltage range stated on the Label.
- If the external flexible cable or cord of this luminaire is damaged, it shall be exclusively replaced by the manufacturer or his service agent or a similar qualified person in order to avoid a hazard.
- The light source contained in this luminaire shall only be replaced by the manufacturer or his

service agent or a similar qualified person. **Caution, risk of electric shock**



- Terminal block not included. Installation may require advice from a qualified person.
- This product is not for household use.
- The luminaire should be positioned so that prolonged staring into the luminaire at a distance closer than 3.4 m is not expected.
- Please turn the mains power off before cleaning. Only damp microfiber cloth can be used for cleaning.

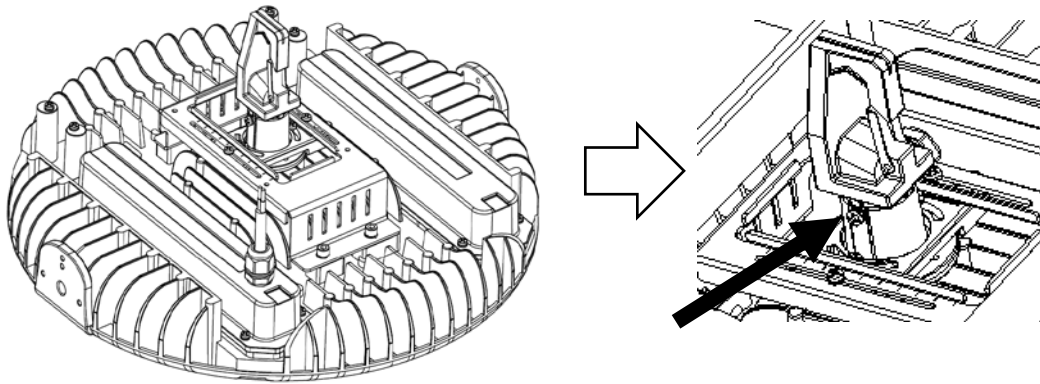
- MCB selection reference

Breaker type	10A	16A	20A	25A
B-Type	2	4	5	7
C-Type	4	7	9	12
K-Type	9	15	19	24
I _{peak} =72A and duration=372uS, breaker number @265Vac				

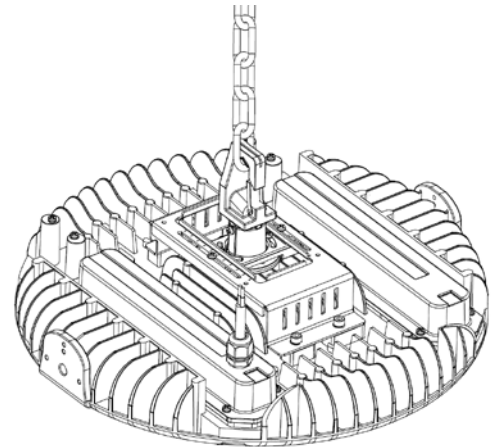
General :Provide at least 12" (30.48 cm) of clearance from the top of the fixture to any ceiling or surface above.

HOOK MOUNT INSTALLATION:

1. To pre-assemble hook and hub and tighten securely. Make sure to fix anti-rotation M4 screw to secure the fixture.



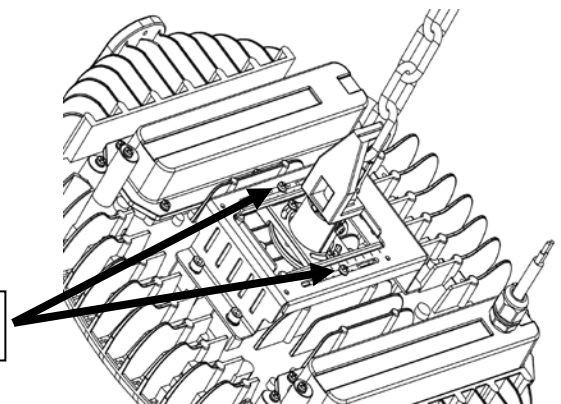
2. The Weight of High Bay fixture is approximately 19.8 lb(9 Kg). Please ensure the structure and the suspending cable/chain are suitable for the weight of the fixture.



3. The fixture should already be factory set for correct balance. If balancing is necessary, make corrections using the adjustment screws in the locations shown below.

4.

Adjustment screws

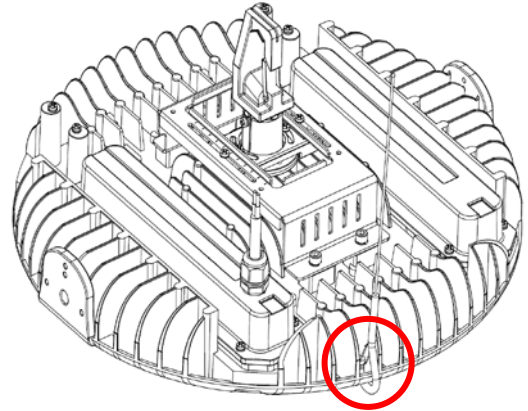


5. To make electrical connections, attach the lead wires according to the colors below.
 - Green/Yellow wire connects to Safety Ground.
 - Blue wire connects to Neutral.
 - Brown wire connects to Live.

SAFETY CABLE INSTALLATION:

HBE Luminaire Series is provided with a safety cable. It is recommended that this cable be installed as below

1. Attach one end of the safety cable through the hole between the fin on the luminaire.
2. Attach other end of the safety cable to the mounting surfaces.

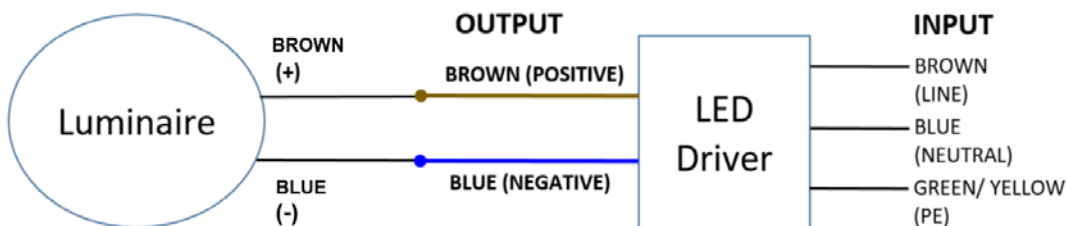


WIRING CONNECTION

For Luminaire using remote control gear, the range of lamps for which luminaire is designed.

The DC Wire of Luminaire connects to dedicated power supply.

Brown (+) wire connects to Brown (Led+); Blue (-) wire connects to Blue (Led-).



1~10V DIMMING INSTALLATION

Dimming is controlled by 1~10VDC dimming Signal (to be provided by the installer).

A 10V Signal is about 100% lumen output

A 1 V Signal is about 10% lumen output

Violet wire connects to Dimming+; Grey wire connects to Dimming-.

The dimming circuit shall connect to FELV control system.