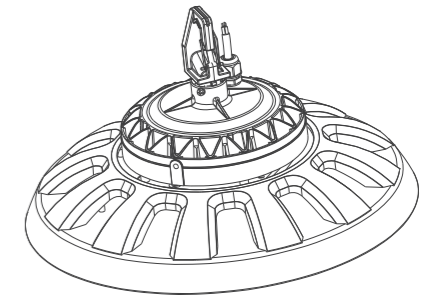


SB Series Luminaire

Installation Instructions

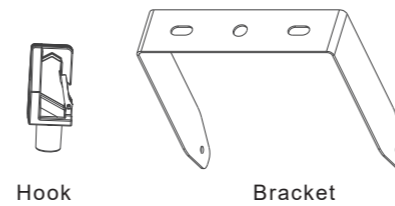


Type	Wattage	Input Voltage	CCT	Beam Angle	Weight
SBDxO5H00E SBDxN5H00E SBDxH5H00E	260 W 210 W 170 W	220-240 Vac	5000 K	100°	4.7 kg
SBDxO5600E SBDxN5600E SBDxH5600E	260 W 210 W 170 W			60°	4.7 kg
SBDxE5A40E SBDxG5A40E SBDxJ5A40E	135 W 165 W 195 W			40 x 90° (Aisle)	5.1 kg



SBDxx4xxxE: 4000K
SBDxxxxDE: DALI
SBDxxxxPE: NEDAP
SBDxxxxME: Occupancy sensor
SBDxxxxE: Hook
SBDxxxxE: Bracket
SBDxxxxE-C: Chain

Accessories



Hook

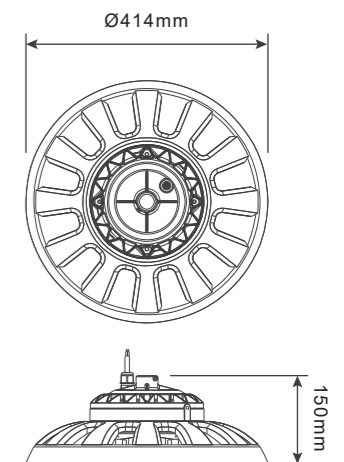
Bracket

Breaker type	10A	16A	20A	25A
B	1	3	3	4
C	3	5	7	8
K	6	10	13	16

$I_{peak}=135A$ and $duration=300\mu S$,
breaker number @230Vac

*Hooks, chains and brackets are not included in the original package

Dimension



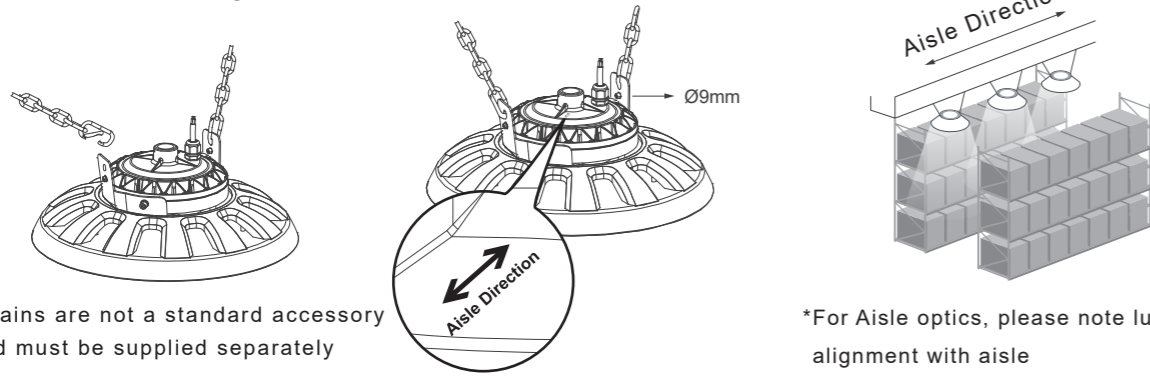
WARNING

- This product must be installed in accordance with applicable local, state, and national electrical codes by a licensed person familiar with the construction and operation of the product and hazards involved.
- This luminaire must be adequately grounded for protection against shock hazards and to assure proper operation.
- The external flexible cable or cord of this luminaire cannot be replaced; if the cord is damaged, the luminaire shall be destroyed.
- Please turn the mains power off before cleaning. Only damp microfiber cloth can be used for cleaning.
- The light source contained in this luminaire shall only be replaced by the manufacturer or his service agent or a similar qualified person.
- This product is not for household use.
- The luminaire should be positioned so that prolonged staring into the luminaire at a distance closer than 1.8 m is not expected.
- Terminal block is not included. Installation may require advice from a qualified person.

Caution, risk of electric shock

Installation

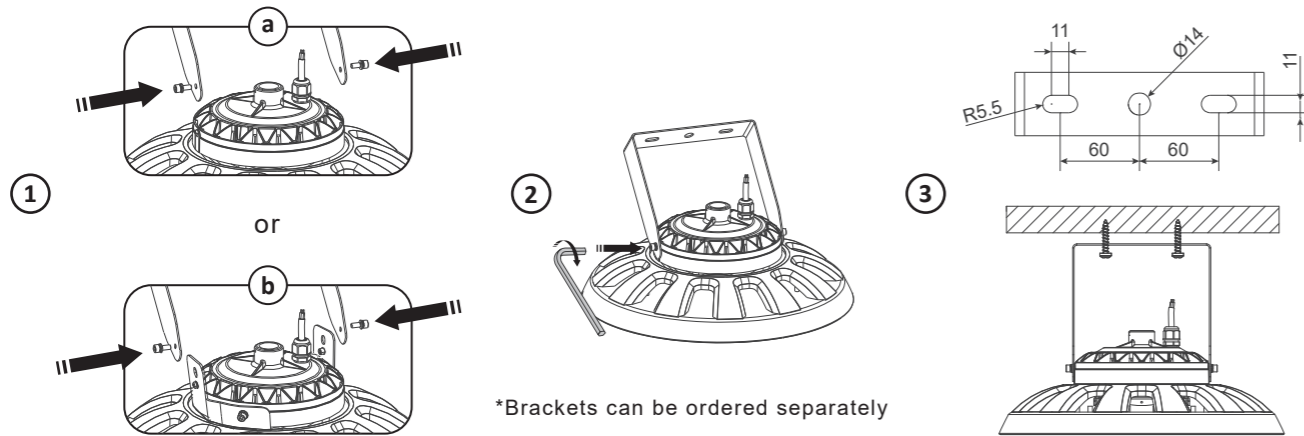
Chain mounting



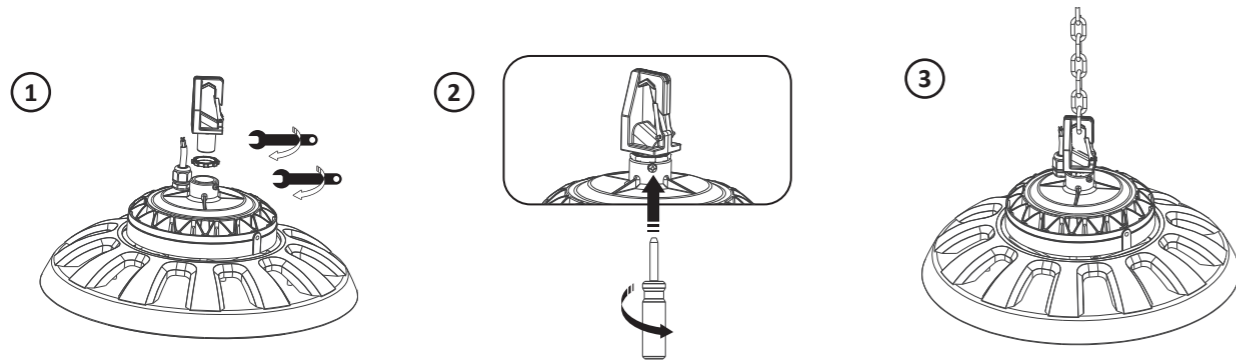
*Chains are not a standard accessory and must be supplied separately

*For Aisle optics, please note luminaire alignment with aisle

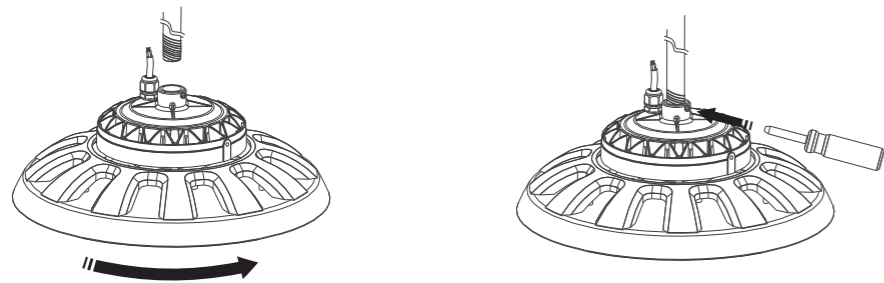
Wall mounting / M6: 2.1 ft-lbs (30 Kgf.cm)



Hook mounting



Pendant mounting / screw thread : NPT 3/4"

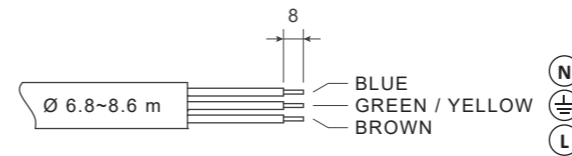


Wiring

Wiring Connectio

/ H05RN-F 3X1.0 mm²

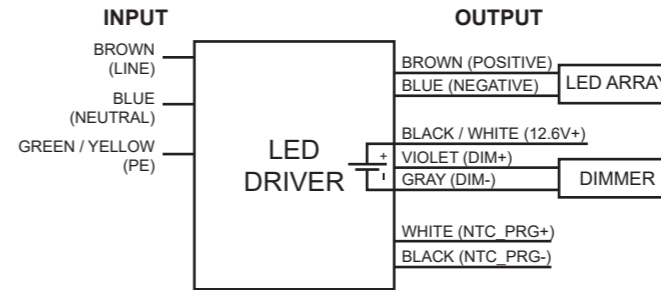
/ Terminal Block Selection



- The type of terminal: Both screw and screwless terminals can be used
- Number of terminals: Three terminals (L/N/PE) (Please refer to Wiring Connection drawing)
- Rated voltage: 220 ac-240Vac
- Rated connecting capacity: 1.0mm² gauge cable wire connectio and 1.5A current rating
- Any necessary preparation of the ends of conductors: No need
- Any fixing method: No need

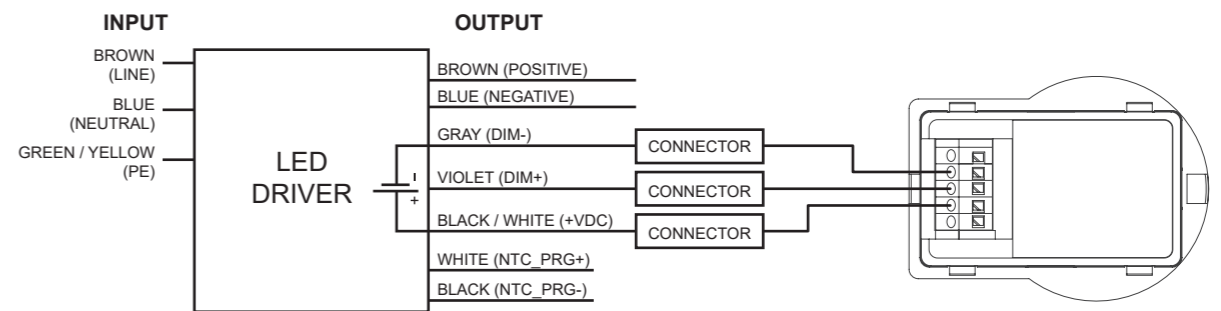
Optional Installatio

/ 0~10V Dimmer

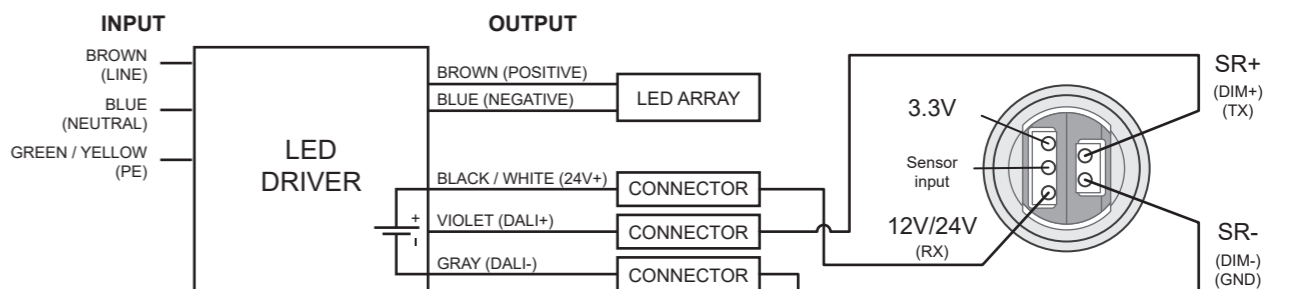


- A 10V Signal is about 100% lumen output
- A 0 V Signal is about 0% lumen output
- Basic insulation between V supply and control conductors shall be provided
- For safety reasons , please keep the BLACK / WHITE (12.6V+) wire inside the IP65 junction box and make sure it is properly isolated by means of a connector

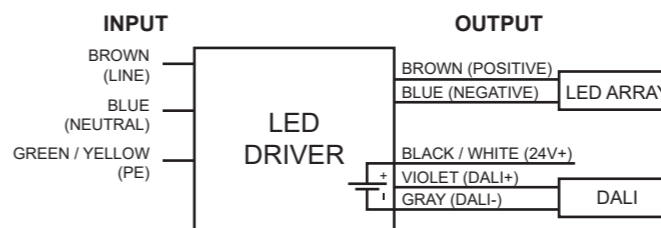
/ Sensor



/ Nedap IoT node module



/ DALI application



For safety reasons , please keep the BLACK / WHITE (24V+) wire inside the IP65 junction box and make sure it is properly isolated by means of a connector.