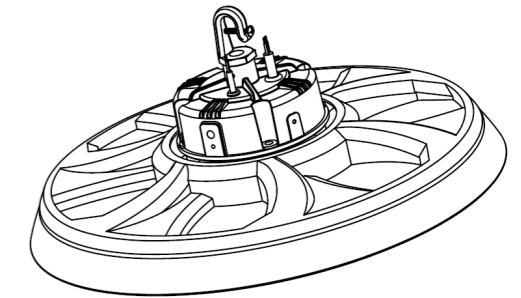


SB Gen2 Series Luminaire

Installation Instructions

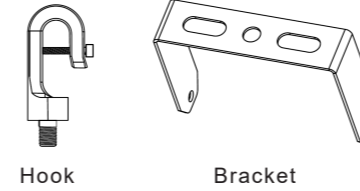


Type	Wattage	Input Voltage	CCT	Beam Angle	Weight
SBDBCxH00E-2	120 W	220-240 Vac	4000K 5000K	100°	3.5 kg
SBDBExH00E-2	140 W				
SBDBIxH00E-2	160 W				
SBDBMxH00E-2	180 W				
SBDBNxH00E-2	200 W				
SBDBCx600E-2	120 W			60°	3.5 kg
SBDBEx600E-2	140 W				
SBDBIx600E-2	160 W				
SBDBMx600E-2	180 W				
SBDBNx600E-2	200 W				



SBDxx4xxxE-2: 4000K
 SBDxx5xxxE-2: 5000K
 SBDxxxxME-2: Occupancy sensor
 SDBBxxxxE-2: Hook

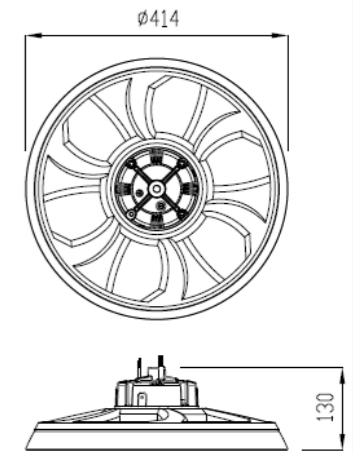
Accessories



Breaker type	10A	13A	16A	20A	25A	32A	40A
B	3	4	5	6	7	10	12
C	5	6	8	10	13	17	20

I_{peak}=56A and duration=326uS,
 breaker number @230Vac

Dimension



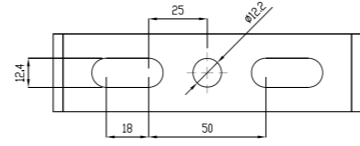
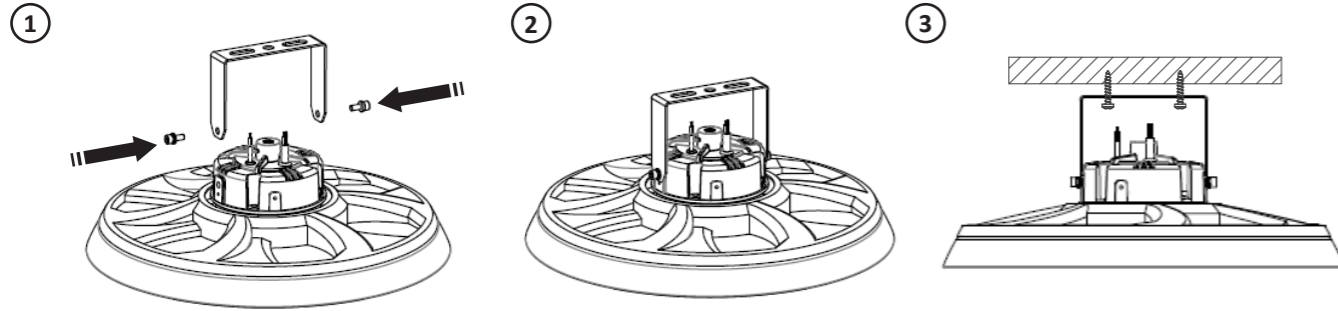
WARNING

- This product must be installed in accordance with applicable local, state, and national electrical codes by a licensed person familiar with the construction and operation of the product and hazards involved.
- This luminaire must be adequately grounded for protection against shock hazards and to assure proper operation.
- The external flexible cable or cord of this luminaire cannot be replaced; if the cord is damaged, the luminaire shall be destroyed.
- Please turn the mains power off before cleaning. Only damp microfiber cloth can be used for cleaning.
- The light source contained in this luminaire shall only be replaced by the manufacturer or his service agent or a similar qualified person.
- **Caution, risk of electric shock** ⚡
- This product is not for household use.
- The luminaire should be positioned so that prolonged staring into the luminaire at a distance closer than 1.8 m is not expected.
- Terminal block is not included. Installation may require advice from a qualified person.

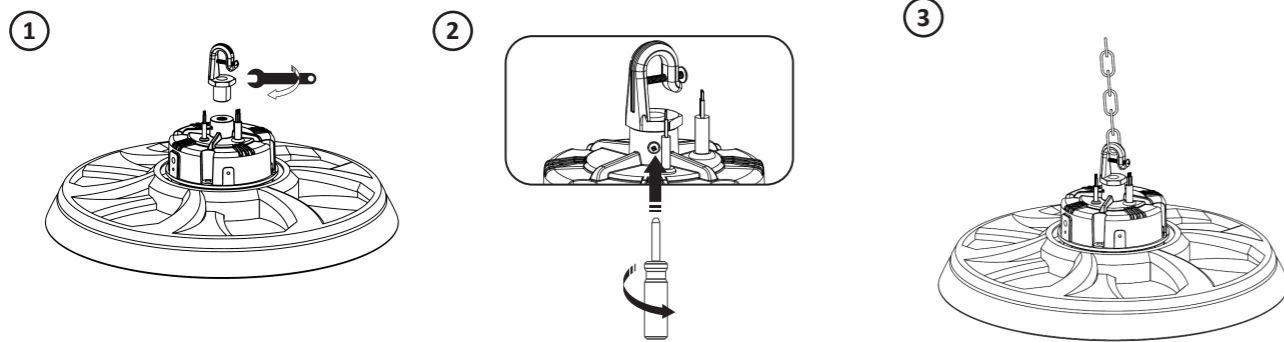
Ver:501903100000

Installation

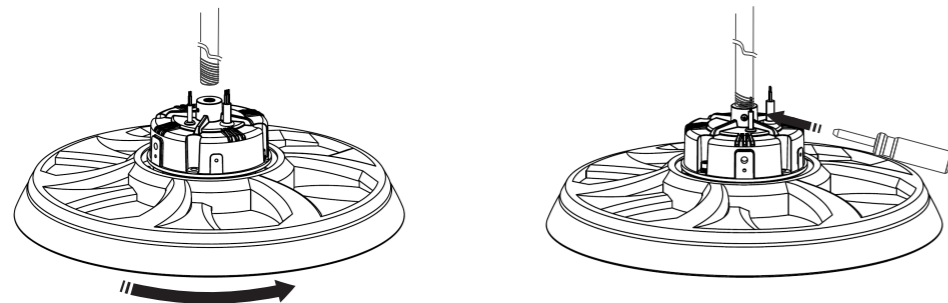
- Wall mounting / M7: 2.1 ft-lbs (30 Kgf.cm)



- Hook mounting



- Pendant mounting / screw thread : M12

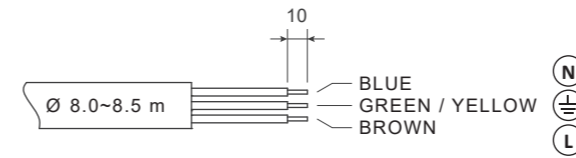


Wiring

- Wiring Connection

/ H05RN-F 3X1.04 mm² (17AWG)

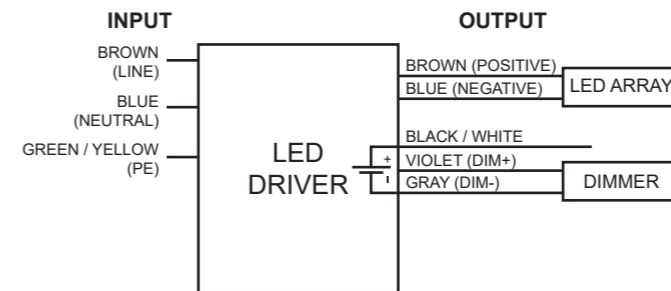
/ Terminal Block Selection



- The type of terminal: Both screw and screwless terminals can be used
- Number of terminals: Three terminals (L/N/PE) (Please refer to Wiring Connection drawing)
- Rated voltage: 220Vac-240Vac
- Rated connecting capacity: 1.04mm² gauge cable wire connection and 1.5A current rating
- Any necessary preparation of the ends of conductors: No need
- Any fixing method: No need

- Optional Installation

/ 0~10V Dimmer



- A 10V Signal is about 100% lumen output
- A 0 V Signal is about 0% lumen output
- Basic insulation between V supply and control conductors shall be provided
- For safety reasons, please keep the BLACK / WHITE (12V+) wire inside the IP65 junction box and make sure it is properly isolated by means of a connector

/ Sensor

