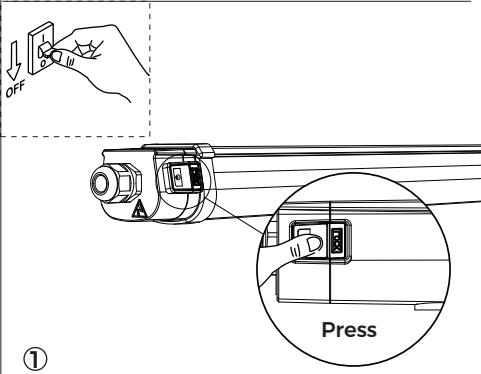


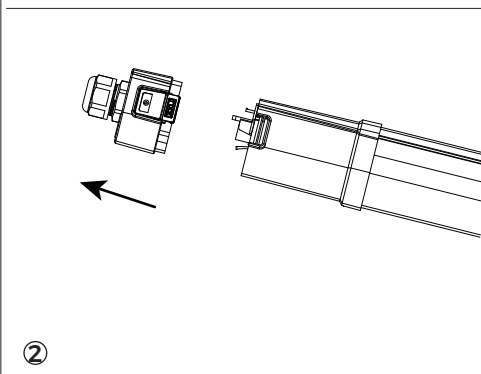


General Safety Information

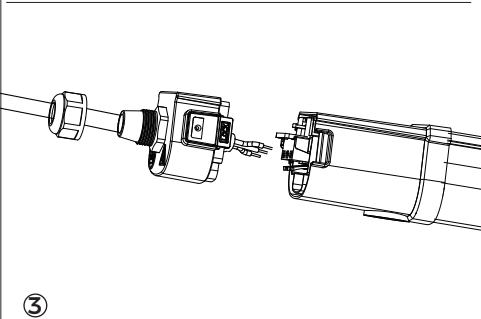
- Installation, commissioning and maintenance only by qualified electrician.
- Never perform any work on the luminaire with voltage applied. Danger to life due to electric shock!
- Electric connection must be appropriate according to all applicable standards and other national and international safety and accident prevention regulations.
- Damaged luminaires must not be operated.
- Observe and retain safety instructions and mounting instructions
- No liability is accepted for damages resulting from improper use.
- Use genuine parts only for repair.



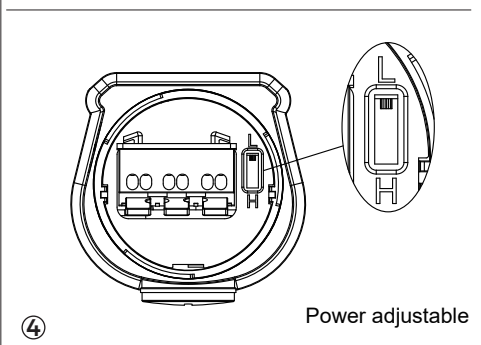
①



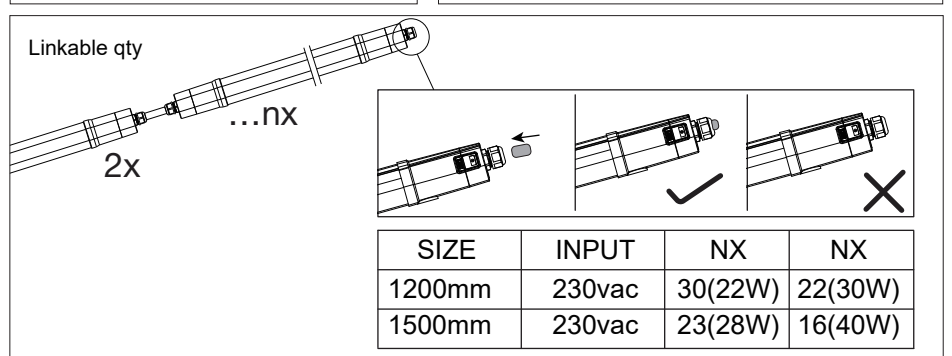
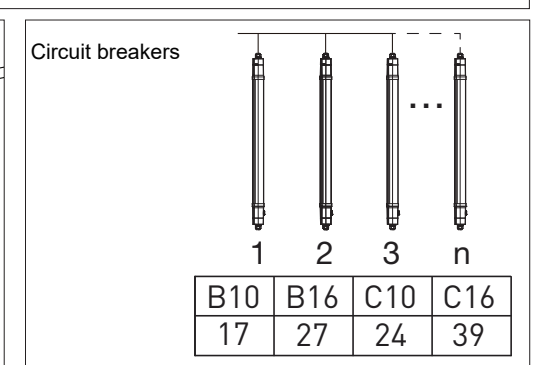
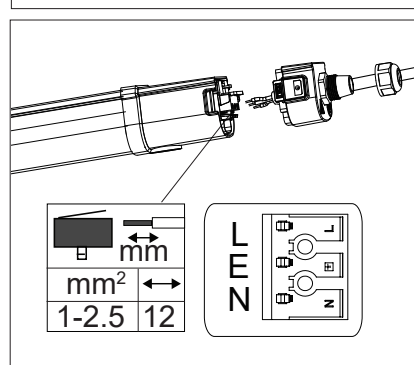
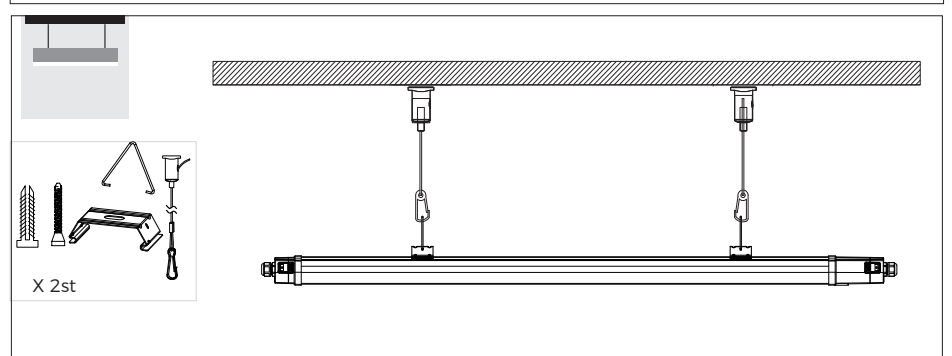
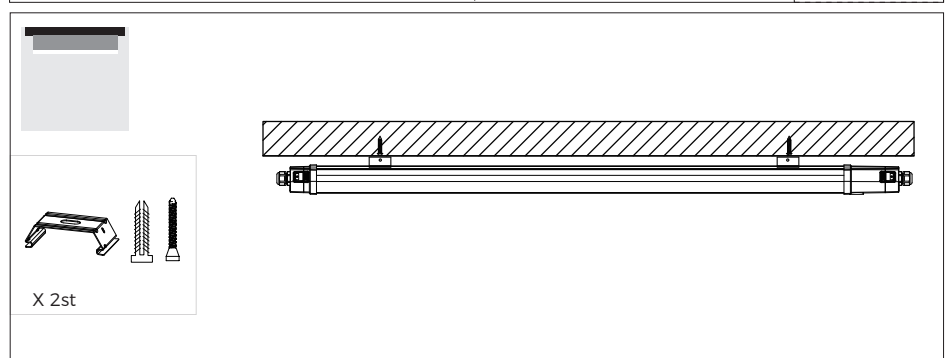
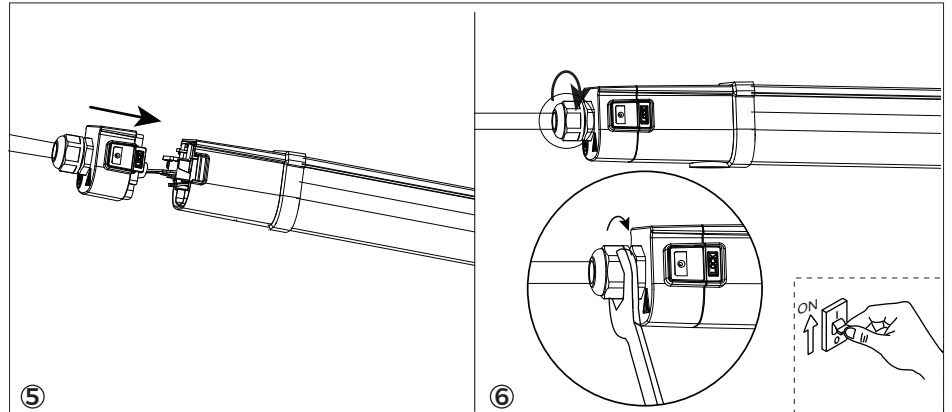
②

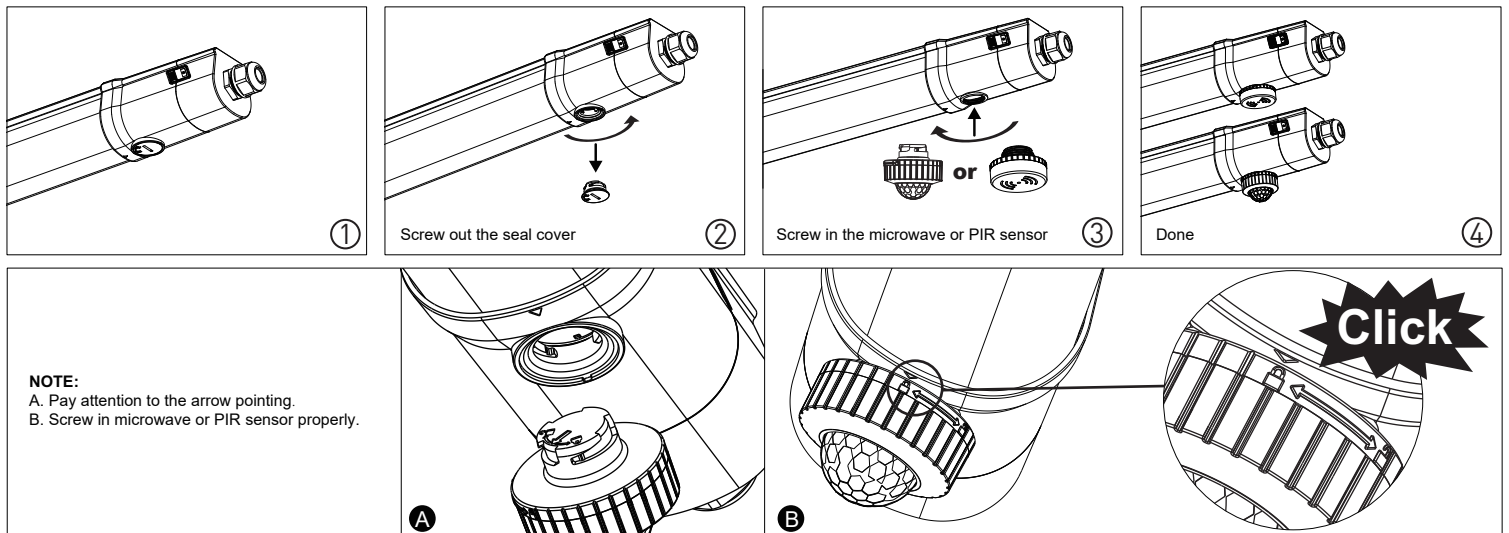


③

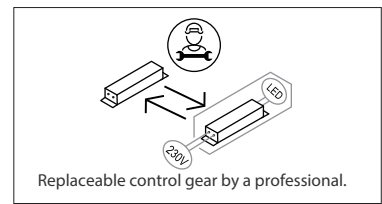
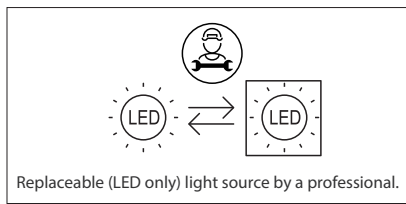


④





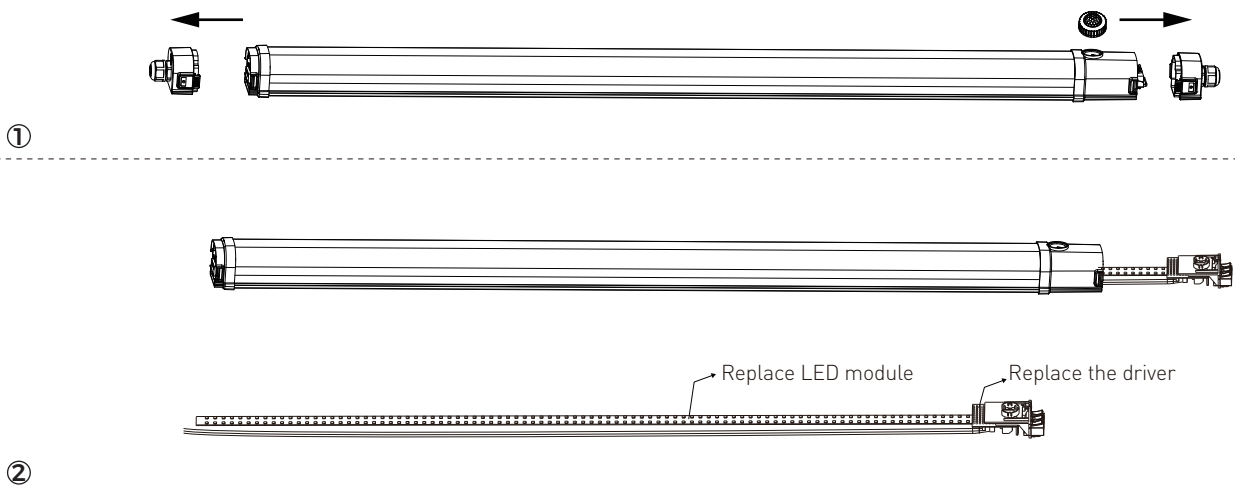
CCT	EET
4000/5000K	B
3000/6500K	C



This product contains a light source of energy efficiency class . (4000K/5000K)
 This product contains a light source of energy efficiency class <C>. (3000K/6500K)

Replace method :

1. Open the end caps at both ends, remove the screws at both ends.
2. Release screws on the terminal connector.
3. Pull out the LED module from the housing, Circuit breakers, Disconnect the cables on PCB board and driver.
4. Replace PCB and driver accordingly.



Delta Electronics Europe

Zandsteen 15
 2132 MZ Hoofddorp, The Netherlands
 TEL: +31-20-800-0900
 FAX: +31-20-800-0999

For more product information and sales inquiries,
 please contact sleu@deltaww.com
www.delta-emea.com/ledlighting

Temperature Characteristics T-ambient 25 °C

Operating -20~+40 °C
 Storage -40~+85 °C

Electrical Characteristics

Input Voltage: AC220~240V 50/60Hz
 PF: ≥0.90 THD<20%
 Power Efficiency: ≥0.87