


Let Quality Shine!

LED Lighting Product Catalogue 2024



**Illuminating the Future of
Operational Excellence**

Elevating Safety and Efficiency in Heavy Industries



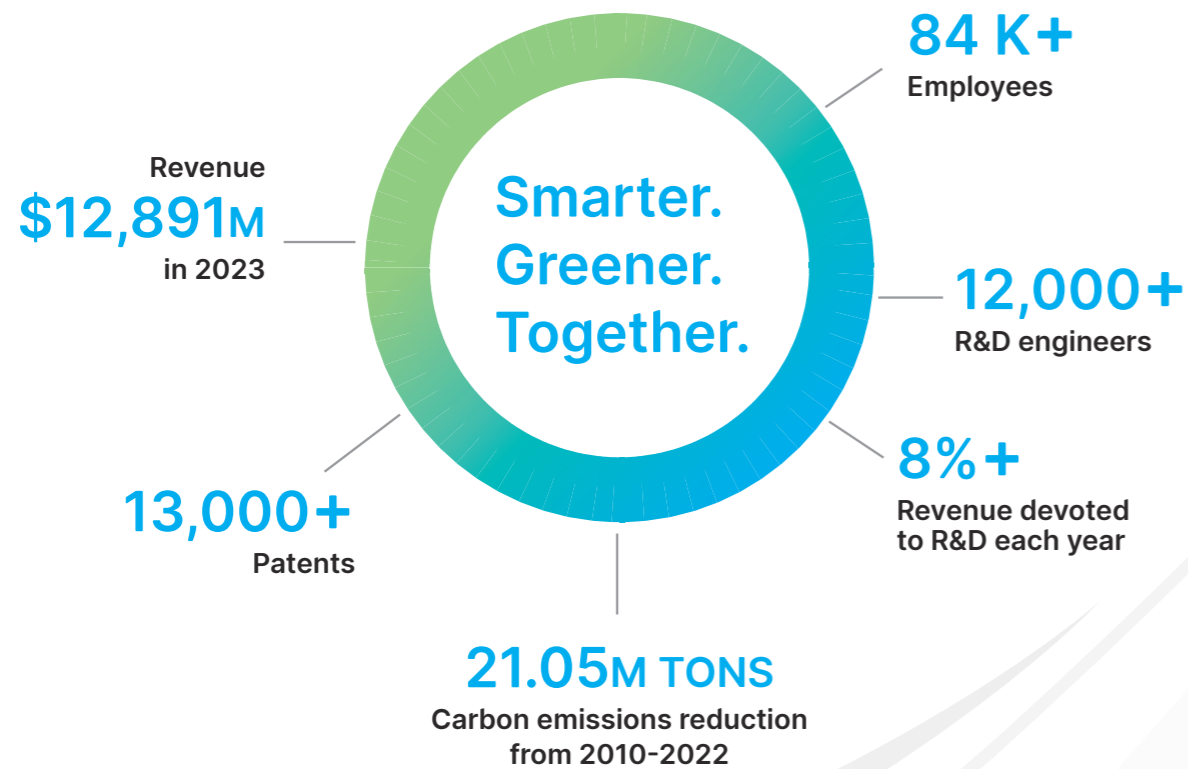
Unveiling the Power of Lighting

Optimizing Warehouses with Precision Lighting Solutions

Delta Group

As a global leader in Power Electronics, Automation, and Infrastructure, with an annual revenue approaching US\$13 billion, Delta Electronics has been striving for excellence for more than 50 years. Our commitment is to provide the world with innovative, clean, and energy-efficient solutions for a better tomorrow.

GLOBAL FOOTPRINT



Your Partner for Sustainability

The Delta industrial lighting range represents innovation, efficiency, and durability, featuring robust housings and advanced thermal management to ensure consistent performance and longevity with minimal maintenance.



Delta Helmond office in Netherlands



30+ Years of Growth Towards Efficiency



Dow Jones Sustainability Indices (DJSI) and Industry Leader



Awarded the gold class rating in the Sustainability Yearbook



Ranked CDP Climate Change Leadership Level

2003

Strengthening **telecom power**: acquisition of ASCOM (Switzerland), to accomplish long-term partnerships with major European telcos

2011

1st time selected for the **DJSI World Index**-repeated every year since

2016

Building automation growing strong: acquisition of LOYTEC (Austria), Delta Controls (Canada) and Unicom (Taiwan)

2018

CLIMATE GROUP EV100
Commit to RE100

2020

Strengthening **industrial automation** and **system integration**: acquisition of Trihedral (Canada)

2022

Delta Helmond office obtains LEED gold recognition



1987

First EMEA office in Switzerland

2008

CNBC European Business magazine listed Delta as a "Global Top 100 Low-Carbon Pioneer"

2015

Global strength in **power solutions**: acquisition of Eltek (Norway) excellent engineering resources and power design knowledge and further development into telecom, industrial and medical markets

2017

Expertise in **surveillance solutions**: acquisition of VIVOTEK (Taiwan)
EMEA Headquarters achieved annual energy savings up to 45%, awarded **BREEAM certification 'Very good'**
Delta was selected by CDP for its **Climate Change Leadership Level** for the 2nd consecutive year



2019

Including **lighting solutions** in portfolio: acquisition of Amerlux (U.S.A.)

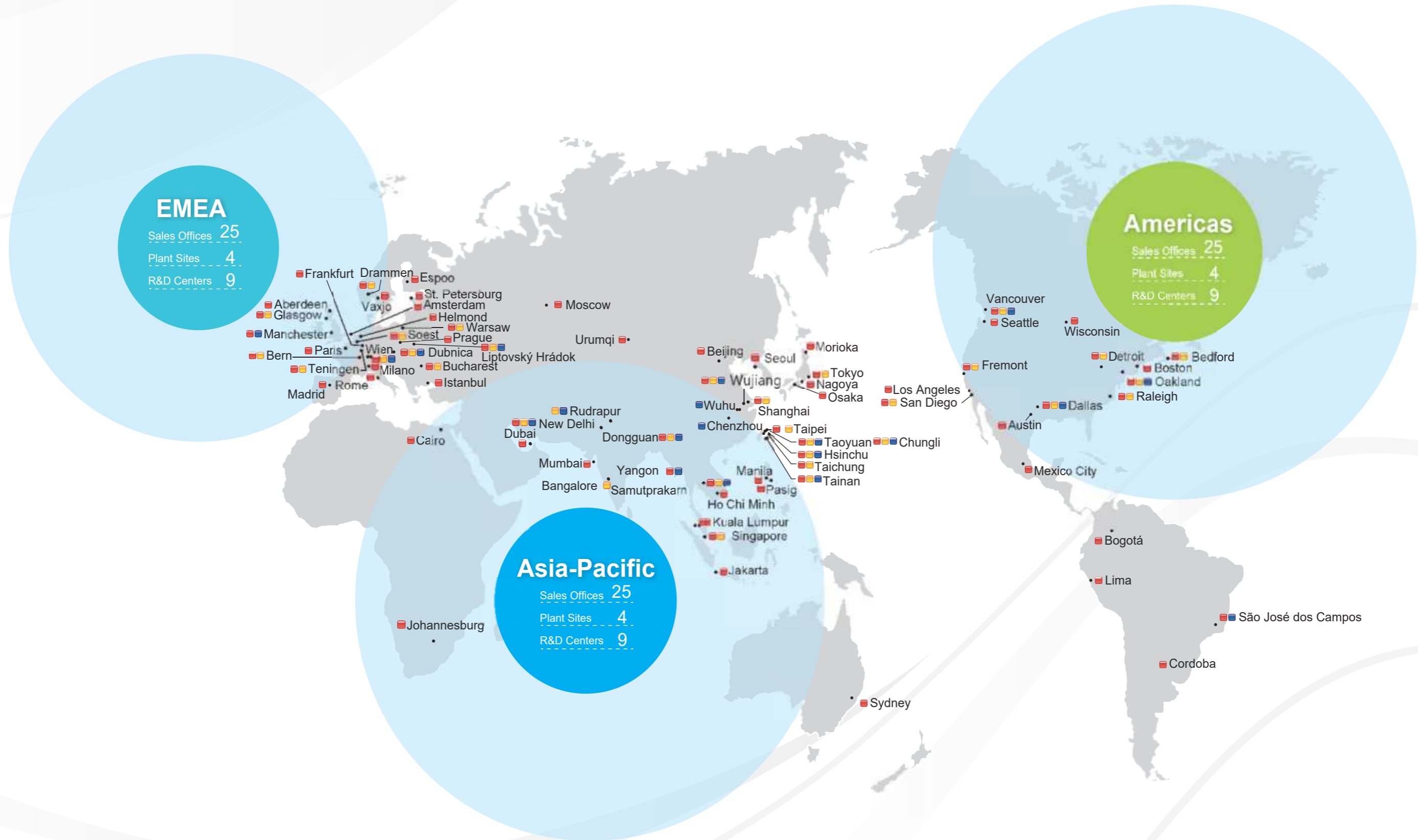
2021

Acquired Canadian-based **video surveillance** and **business intelligence** leader March Networks®



2023

Delta Worldwide Operation



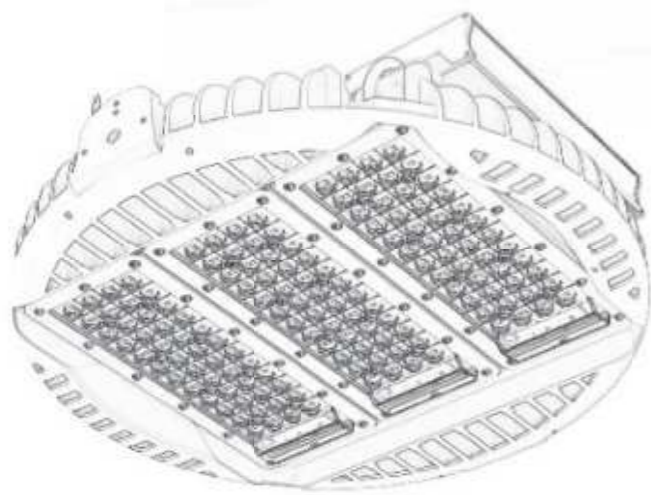


Table of Contents

LED Linear Lighting

AMBIS	11
ALTOS TUBULAR	19
STRATUS	27
VEGA	33

LED High-Bay Lighting

STACCATO	39
LEGATTO	49
HIGHBAY EKO	59

LED Panel Lighting

ALBEDOECO BACK-LIT (BL)	67
ALBEDOECO SIDE-LIT (SL)	75

LED Linear Lighting

LED Linear Lighting

AMBIS

Elegance meets efficiency



RADIANT 25 | 38 | 48 | 58 | 70 W

INDUSTRIAL 25 | 38 | 48 | 58 W

ECO 30 | 45 | 56 W

DALI 30 | 40 | 50 W

PARKING 38 W

BLUETOOTH 20 | 30 | 40 W

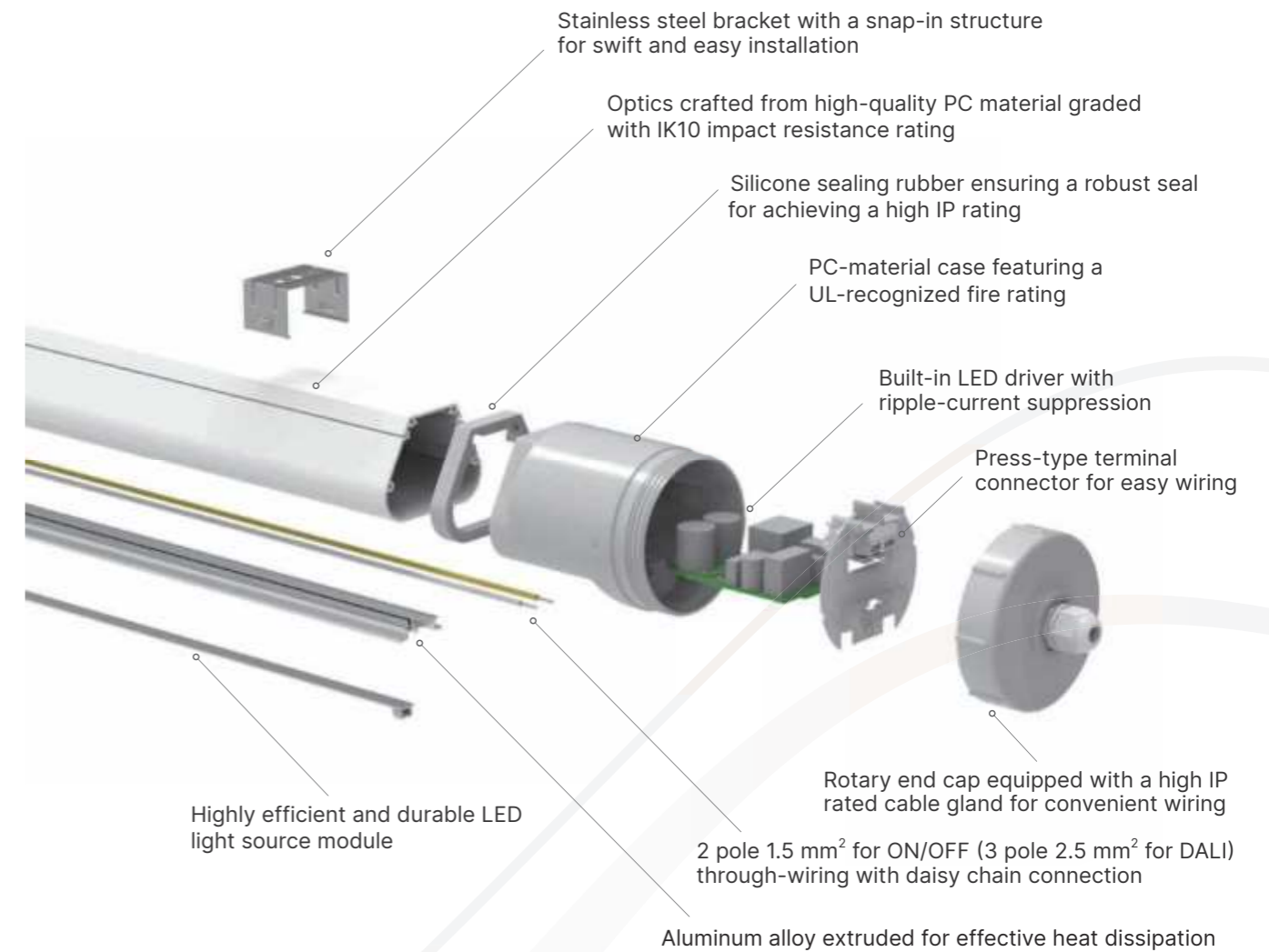
AMBIS series is a range of versatile, highly efficient industrial linear luminaires specifically designed with unique 280-degree optics and elegant shape to evenly illuminate larger areas enhancing visibility and safety.

With covering a large area, Ambis contributes to energy efficiency by reducing the need for multiple fixtures.

Key Features

- Unique Photometry & Long Lifetime
- Highly Robust with IK10 Rating
- Superior Flicker-free Illumination
- Easy Installation & Maintenance
- Through-wiring Capability
- Sensor Version Available
- Up to 160 lm/W Efficacy

Product Components





Technical Data

Electrical Data

Nominal wattage	25 – 70 W
Nominal voltage	220 – 240 V
Power factor	>0.95
Total harmonic distortion	<20%
Surge protection	1 kV
Protection class	Class II
Driver efficiency and mounting	>90%
Operating mode	ON/OFF DALI Bluetooth

Photometric Data

Luminous flux	3200 to 11 200 lm
Luminous efficacy	133 – 160 lm/W
Color temperature	4000K (3000K 5000K 6500K available)
Color rendering index	>80
Standard deviation of color matching	3 SDCM
Beam angle	110° x 150°; 110° x 280°; 110° x 158°; 110° x 127°
UGR	<22

Materials & Colors

Product color	Opel for light emission
Housing color	Grey for end caps
Body material	Polycarbonate
Optics material	Polycarbonate
Seal material	Silicone rubber

Application & Mounting

Ambient temperature range	-30 to +50°C
Ingress protection rating	IP66
Impact protection rating	IK10

Lifespan

Lifespan L80B10 at Ta=25°C (Radiant/Parking/DALI/Industrial/Bluetooth)	100 000 h
Lifespan L80B10 at Ta=25°C (ECO)	50 000 h



Order Guide

AMBIS RADIANT					
Material number	PG425ILG3N	PG538ILG3N	PG548ILG3N	PG558ILG3N	PG570ILG3N
Lumen output (lm)	4 000	6 080	7 680	9 280	11 200
Power (W)	25	38	48	58	70
Efficacy (lm/W)	160				
Length (mm)	1200	1600			
CCT	4000K (3000K 5000K 6500K available)				
Operating temp.	-30 to +50°C				
Beam angle	110° x 150°				
Control interface	ON/OFF				
Lifetime	L80B10 >100 000h at Ta=25°C				

AMBIS INDUSTRIAL					
Material number	PG425IEG3N	PG538IEG3N	PG548IEG3N	PG558IEG3N	PG570IEG3N
Lumen output (lm)	4 000	6 080	7 680	9 280	11 200
Power (W)	25	38	48	58	70
Efficacy (lm/W)	160				
Length (mm)	1200	1600			
CCT	4000K (3000K 5000K 6500K available)				
Operating temp.	-30 to +50°C				
Beam angle	110° x 150°				
Control interface	ON/OFF				
Lifetime	L80B10 >100 000h at Ta=25°C				

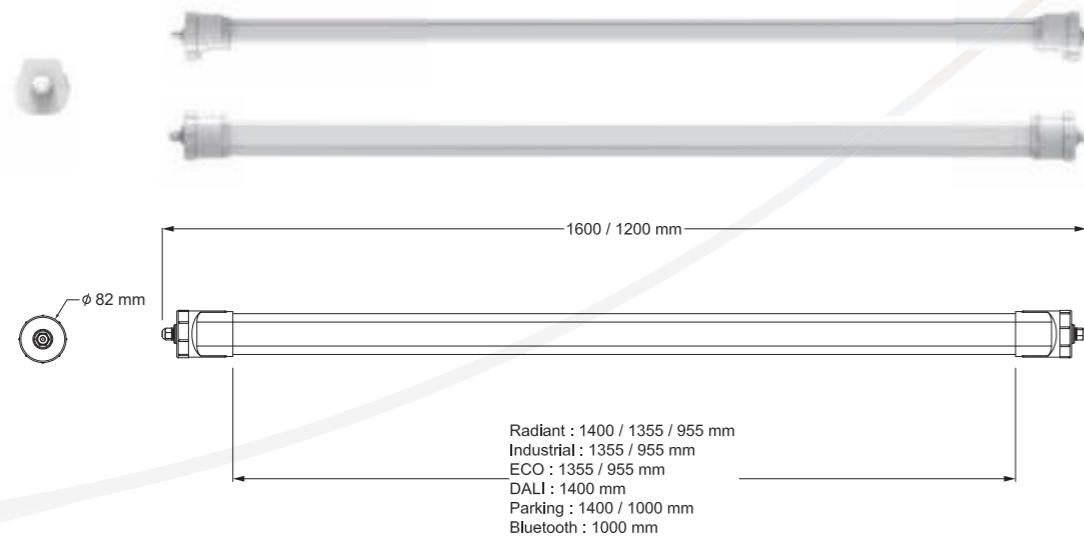
AMBIS ECO					
Material number	PG430ILF3N-E	PG545ILF3N-E	PG556ILF3N-E	PG570ILF3N-E	PG570ILF3N-E
Lumen output (lm)	4 000	6 000	7 500	9 280	11 200
Power (W)	30	45	56	70	84
Efficacy (lm/W)	133				
Length (mm)	1200	1600			
CCT	4000K (3000K 5000K 6500K available)				
Operating temp.	-30 to +40°C				
Beam angle	110° x 158°				
Control interface	ON/OFF				
Lifetime	L80B10 >50 000h at Ta=25°C				

AMBIS DALI					
Material number	PG530IEH3D	PG540IEH3D	PG550IEH3D	PG570IEH3D	PG570IEH3D
Lumen output (lm)	4 800	6 400	8 000	9 280	11 200
Power (W)	30	40	50	70	84
Efficacy (lm/W)	160				
Length (mm)	1600				
CCT	4000K (5000K 6500K available)				
Operating temp.	-20 to +40°C				
Beam angle	110° x 127°				
Control interface	DALI				
Lifetime	L80B10 >100 000h at Ta=25°C				

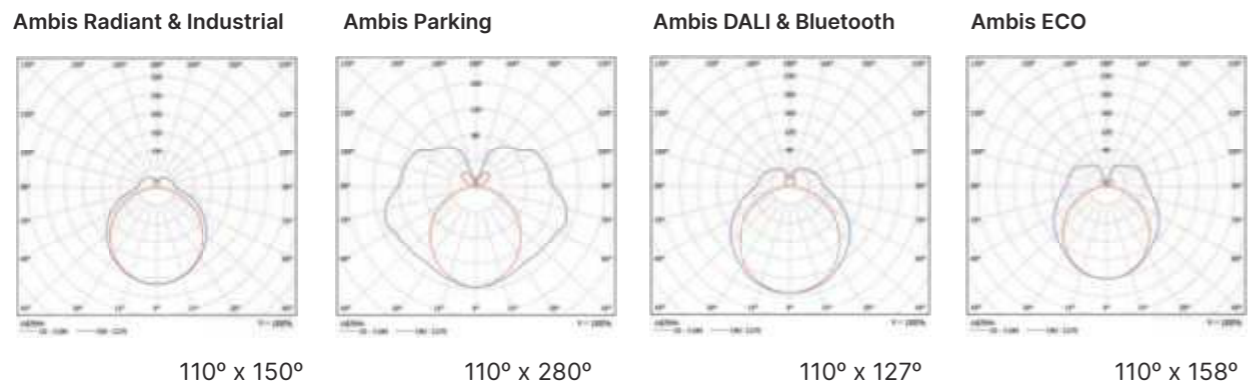
AMBIS PARKING					
Material number	PG438IL03N	PG538IL03N	PG548IL03N	PG558IL03N	PG570IL03N
Lumen output (lm)	6 080	6 080	7 680	9 280	11 200
Power (W)	38	38	48	58	70
Efficacy (lm/W)	160				
Length (mm)	1200	1600			
CCT	4000K (5000K 6500K available)				
Operating temp.	-30 to +50°C				
Beam angle	110° x 280°				
Control interface	ON/OFF				
Lifetime	L80B10 >100 000h at Ta=25°C				

AMBIS BLUETOOTH					
Material number	PG420ILG3B	PG430ILG3B	PG440ILG3B	PG570ILG3B	PG570ILG3B
Lumen output (lm)	3 200	4 800	6 400	9 280	11 200
Power (W)	20	30	40	70	84
Efficacy (lm/W)	160				
Length (mm)	1200				
CCT	4000K				
Operating temp.	-20 to +50°C				
Beam angle	110° x 127°				
Control interface	Bluetooth				
Lifetime	L80B10 >100 000h at Ta=25°C				

Product Orientation & Dimensions



Photometry



Accessories



Naming Rules

Code	Product code
PG	Ambis
	Code Length
	4 4 feet (1200 mm)
	5 5 feet (1600 mm)
	Code Power consumption
	20 20W
	25 25W
	30 30W
	38 38W
	40 40W
	45 45W
	48 48W
	50 50W
	56 56W
	58 58W
	70 70W
	Code CCT
	W 3000K
	I 4000K
	N 5000K
	D 6500K
	Code Through wires
	L 2 pole (L/N)
	E 3 pole (L/N/E)
	Code Light distribution
	O 280°
	F 158°
	G 150°
	H 127°
	Code Internal code
	3 3 rd generation
	Code Driver function
	N ON/OFF
	D DALI
	B Bluetooth
Example	PG 5 38 I L G 3 N

LED Linear Lighting



LED Linear Lighting

ALTOS TUBULAR

High endurance for
demanding environments



IP65 20 | 36 | 48 W

IP69K 20 | 36 | 48 W

Outdoor 20 | 36 | 48 W

ALTOS TUBULAR series is a versatile line of industrial lighting with classic all-rounder design. These fixtures feature modular design and best flicker free light quality, while ensuring visually comfortable and uniform illumination in even the most demanding environments, thanks to their robust (up to IP69K-rated) protection against dust, high-pressure water jets, and intense cleaning.

Key Features

- Modular Design & Repairable
- Uniform Light Distribution
- Easy Installation & Maintenance
- Through-wiring Capability (optional for IP69K and Outdoor)
- Motion Sensor Available
- With 160 lm/W Efficacy



Warehouse



Industrial



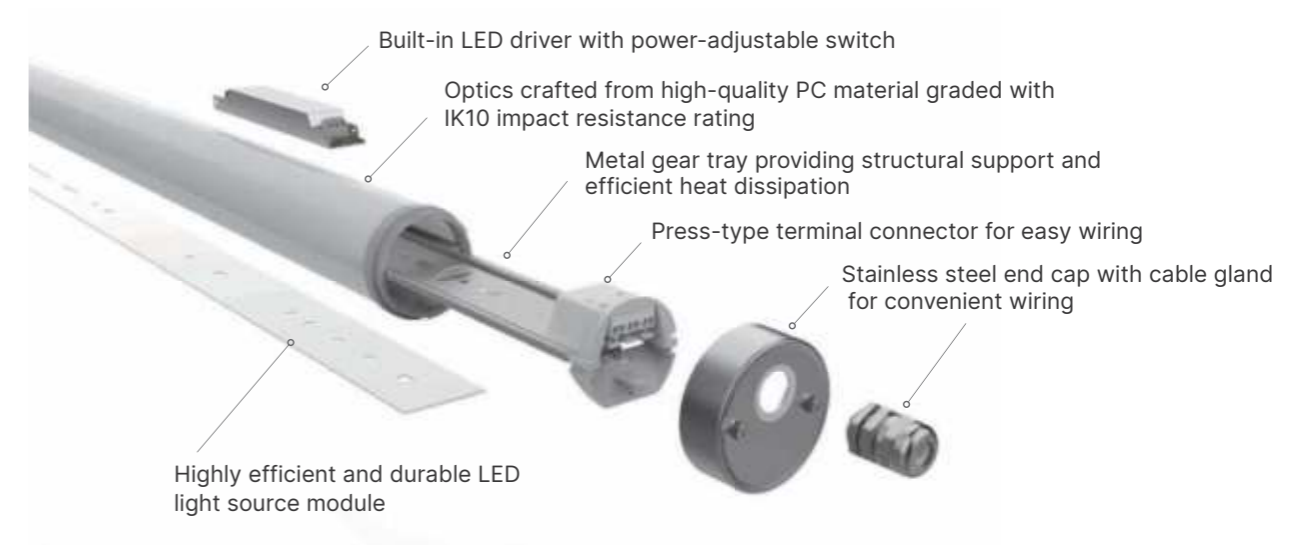
Parking



Work Area

Product Components

IP65



IP69K / Outdoor





Technical Data

Electrical Data

Nominal wattage	20 – 48 W
Nominal voltage	220 – 240 V
Power factor	>0.90
Total harmonic distortion	<20%
Surge protection	1kV
Protection class	Class I
Driver efficiency and mounting	90% (85% Outdoor)
Operating mode	ON/OFF – DALI 2

Photometric Data

Luminous flux	2 600 to 7 680 lm
Luminous efficacy	130 – 160 lm/W
Color temperature	4000K (3000K 5000K 6500K optional) / 3000K (Outdoor)
Color rendering index	>80
Standard deviation of color matching	3 SDCM 6 SDCM (Outdoor)
Beam angle	120°

Materials & Colors

Product color	White / Clear (Outdoor)
Housing color	White
Body material	Polycarbonate / Glass (Outdoor)
Optics material	Polycarbonate
Seal material	Silicone

Application & Mounting

Ambient temperature range	-20 to +40°C
Ingress protection rating	IP65 IP69K (IP69 and Outdoor)
Impact protection rating	IK10 IK06 (Outdoor)

Lifespan

Lifespan L80B10 at Ta=25°C	100 000 h
----------------------------	-----------



Order Guide

ALTOS TUBULAR IP65

Material number	LSHD04TUBS2240-I65	LSHD04TUBS4340-I65	LSHD04TUBS5440-I65
Lumen output (lm)	3 000	5 760	7 680
Power (W)	20	36	48
Efficacy (lm/W)	150	160	
Length (mm)	600	1200	1500
CCT	4000K (3000K available)		
Operating temp.	-20 to +40°C		
Beam angle	120°		
Control interface	ON/OFF		
Lifetime	L80B10 >100 000h at Ta=25°C		

ALTOS TUBULAR IP65 DALI

Material number	LSHD04TUBS2240-D65	LSHD04TUBS4340-D65	LSHD04TUBS5440-D65
Lumen output (lm)	3 000	5 760	7 680
Power (W)	20	36	48
Efficacy (lm/W)	150	160	
Length (mm)	600	1200	1500
CCT	4000K (3000K available)		
Operating temp.	-20 to +40°C		
Beam angle	120°		
Control interface	DALI 2		
Lifetime	L80B10 >100 000h at Ta=25°C		

ALTOS TUBULAR IP69K

Material number	LSHD04TUBS2240-I69	LSHD04TUBS4340-I69	LSHD04TUBS5440-I69
Lumen output (lm)	3 000	5 760	7 680
Power (W)	20	36	48
Efficacy (lm/W)	150	160	
Length (mm)	600	1200	1500
CCT	4000K (3000K available)		
Operating temp.	-20 to +40°C		
Beam angle	120°		
Control interface	ON/OFF		
Lifetime	L80B10 >100 000h at Ta=25°C		

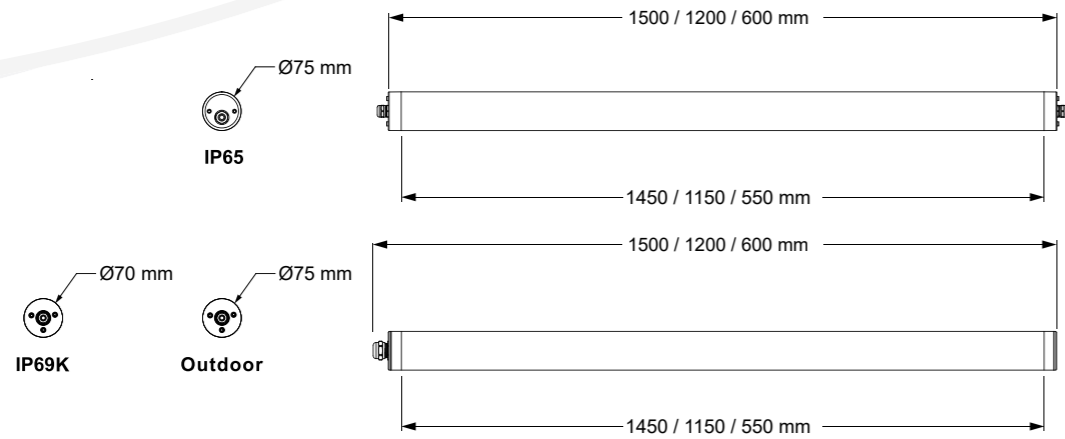
ALTOS TUBULAR IP69K DALI

Material number	LSHD04TUBS2240-D69	LSHD04TUBS4340-D69	LSHD04TUBS5440-D69
Lumen output (lm)	3 000	5 760	7 680
Power (W)	20	36	48
Efficacy (lm/W)	150	160	
Length (mm)	600	1200	1500
CCT	4000K (3000K available)		
Operating temp.	-20 to +40°C		
Beam angle	120°		
Control interface	DALI 2		
Lifetime	L80B10 >100 000h at Ta=25°C		

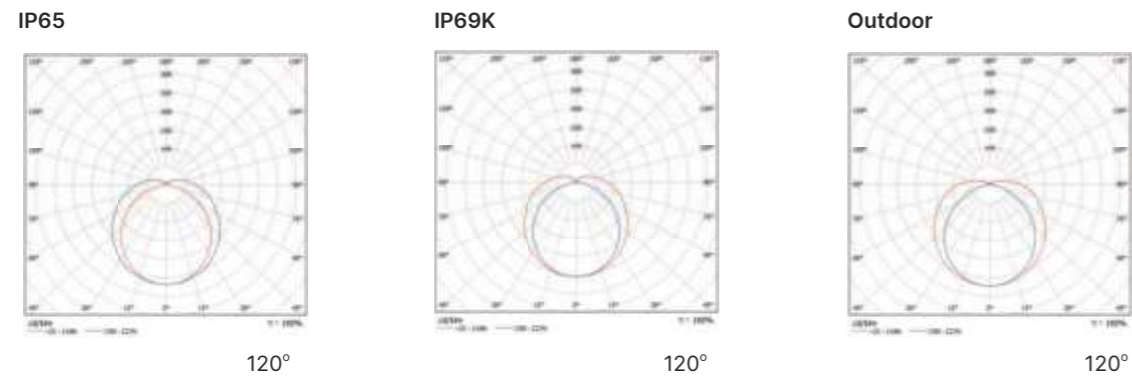
ALTOS TUBULAR OUTDOOR

Material number	D04TUBO2230	D04TUBO4330	D04TUBO5430
Lumen Output (lm)	2 600	4 860	6 480
Power (W)	20	36	48
Efficacy (lm/W)	130	135	
Length (mm)	600	1200	1500
CCT	3000K (2700K available)		
Operating temp.	-20 to +40°C		
Beam angle	120°		
Control interface	ON/OFF		
Lifetime	L80B10 >100 000h at Ta=25°C		

Product Orientation & Dimensions



Photometry



Accessories



LED Linear Lighting

LED Linear Lighting

STRATUS

Modular design for easy repair

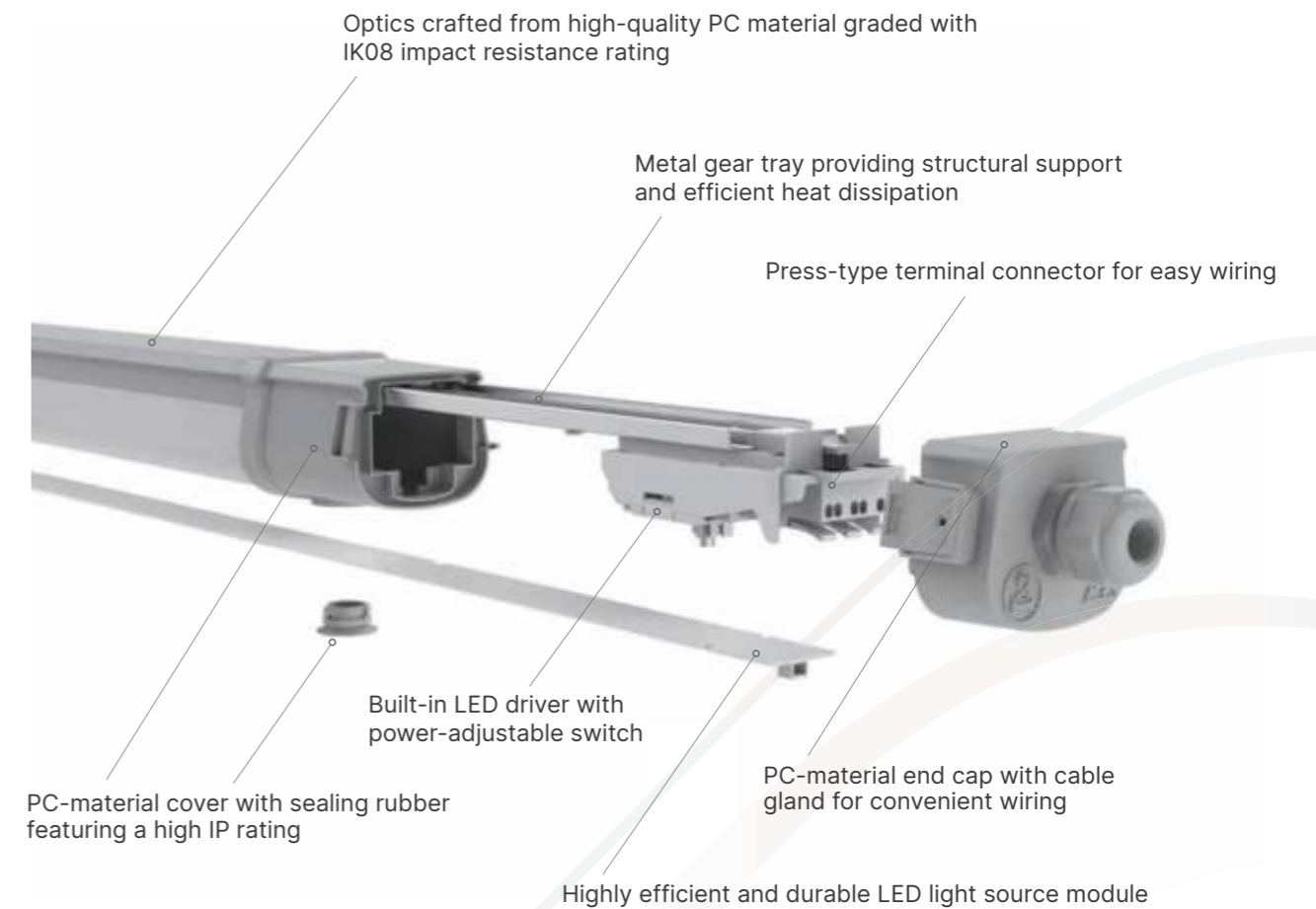
STRATUS 22/30 | 28/40 W

STRATUS is designed with a modular approach, making it easy to repair and recycle, in line with the eco-friendly standards set by the EU. You can adjust its power and link multiple luminaires together to create a sustainable and customizable lighting experience.

Key Features

- Multi-lumen & Power Adjustable
- Long Lifetime & Repairable
- Easy Installation & Maintenance
- Through-wiring Capability
- PIR & Microwave Sensors Available
- With 160 lm/W Efficacy

Product Components





Technical Data

Electrical Data

Nominal wattage	22/30 – 28/40 W
Nominal voltage	220 – 240 V
Power factor	>0.90
Total harmonic distortion	<20%
Surge protection	1kV
Protection class	Class I
Driver efficiency and mounting	90%
Operating mode	ON/OFF

Photometric Data

Luminous flux	3 520 to 6 400 lm
Luminous efficacy	160 lm/W
Color temperature	4000K (3000K 5000K 6500K available)
Color rendering index	>80
Standard deviation of color matching	3 SDCM
Beam angle	120°

Materials & Colors

Product color	White for light emission
Housing color	Grey end caps
Body material	Polycarbonate
Optics material	Polycarbonate
Seal material	Silicone

Application & Mounting

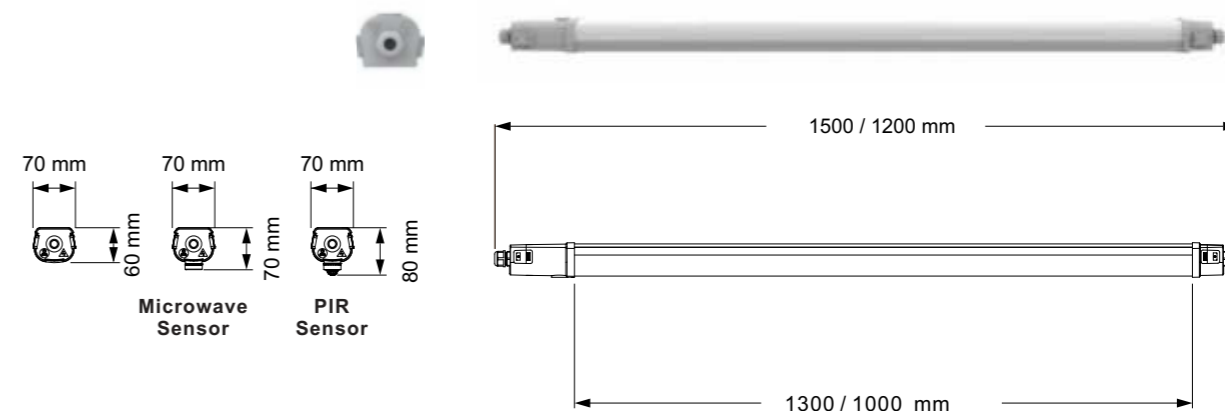
Ambient temperature range	-20 to +40°C
Ingress protection rating	IP65
Impact protection rating	IK08

Lifespan

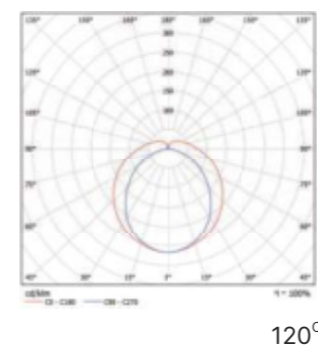
Lifespan L80B10 at Ta=25°C	100 000 h
----------------------------	-----------



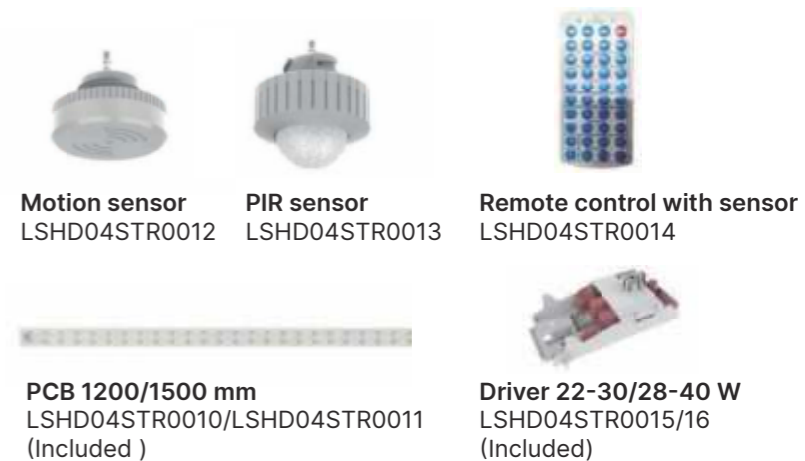
Product Orientation & Dimensions



Photometry



Accessories



Order Guide

STRATUS		
Material number	LSHD04STR4240	LSHD04STR5440
Lumen output (lm)	3 520 / 4 800	4 480 / 6 400
Power (W)	22 / 30	28 / 40
Efficacy (lm/W)	160	
Length (mm)	1200	1500
CCT	4000K (3000K 5000K 6500K available)	
Operating temp.	-20 to +40°C	
Beam angle	120°	
Control interface	ON/OFF	
Lifetime	L80B10 >100 000h at Ta=25°C	

LED Linear Lighting



LED Linear Lighting

VEGA

Lightweight & economical



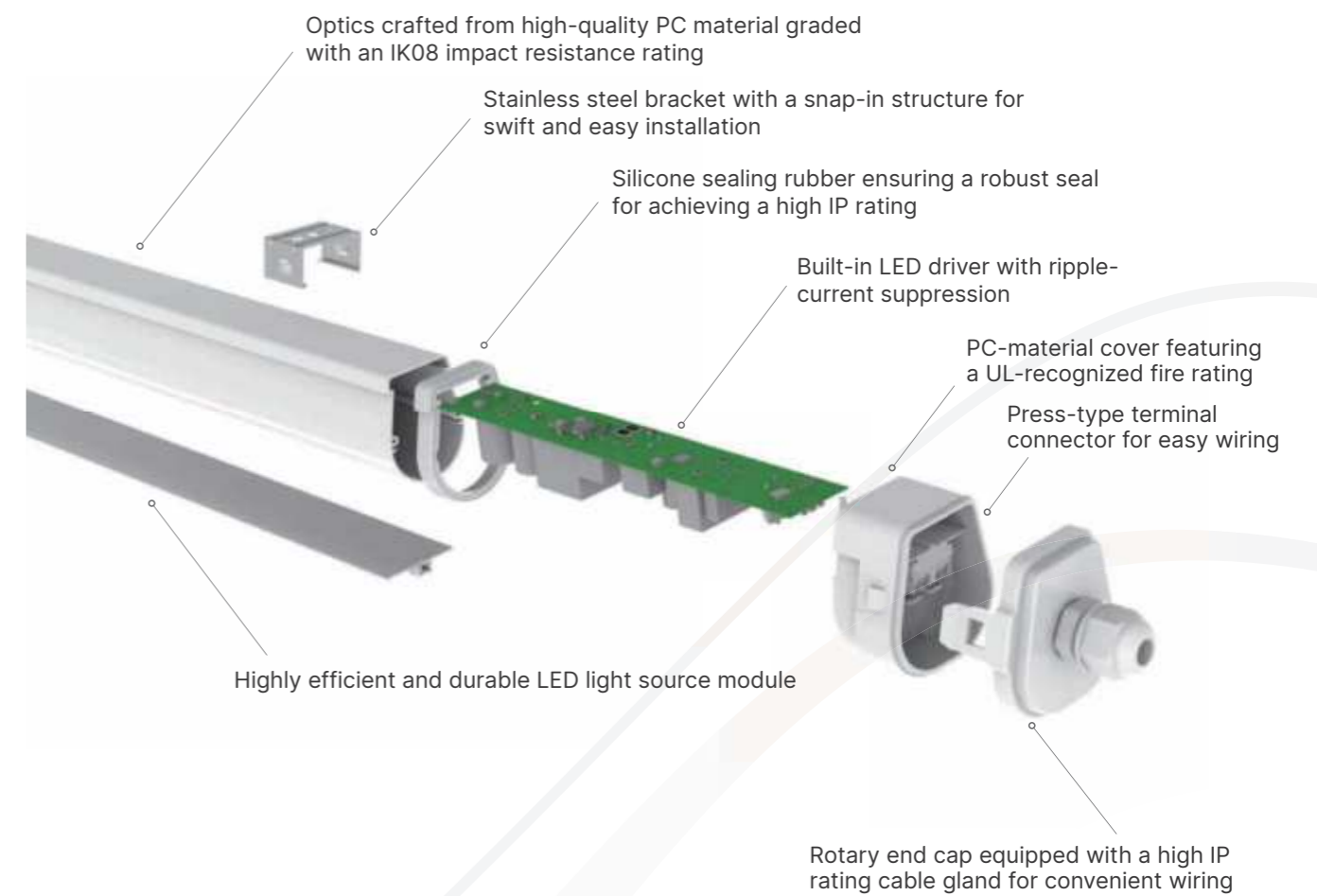
VEGA 26 | 40 W

VEGA was developed to combine efficiency, cost effectiveness, and lightweight design. It is an ideal choice for those who value both performance and budget-friendly lighting across a wide range of applications.

Key Features

- Compact & Lightweight
- Uniform Light Distribution
- Flicker-free Light Quality
- Up to 154 lm/W Efficacy

Product Components



Warehouse



Cold Storage



Parking



Work Area



Technical Data

Electrical Data

Nominal wattage	26 – 40 W
Nominal voltage	220 – 240 V
Power factor	>0.95
Total harmonic distortion	<20%
Surge protection	1kV
Protection class	Class II
Driver efficiency and mounting	>90%
Operating mode	ON/OFF

Photometric Data

Luminous flux	4 000 and 6 000 lm
Luminous efficacy	150 – 154 lm/W
Color temperature	4000K (5000K available)
Color rendering index	>80
Standard deviation of color matching	4 SDCM
Beam angle	110° x 150°
UGR	<25

Materials & Colors

Product color	Opel for light emission
Housing color	White end caps
Body material	Polycarbonate
Optics material	Polycarbonate
Seal material	Silicone rubber

Application & Mounting

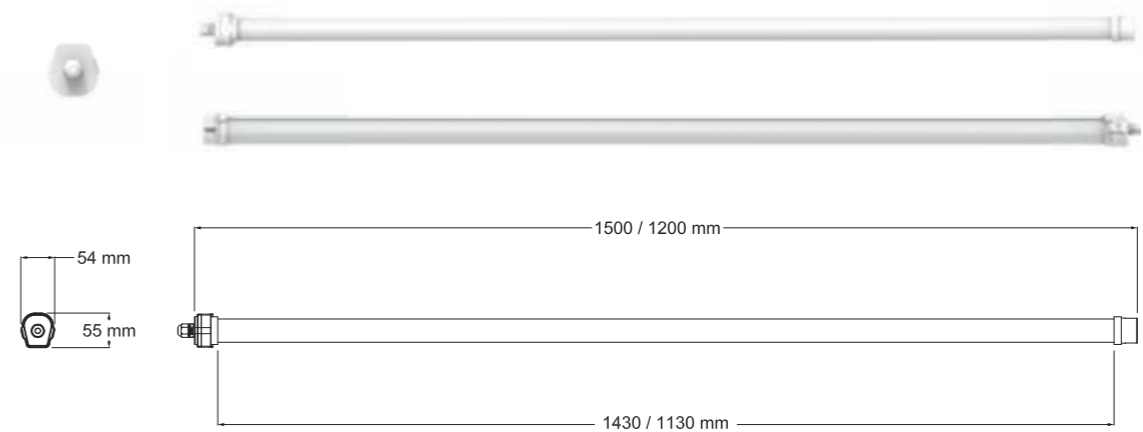
Ambient temperature range	-30 to +40°C
Ingress protection rating	IP65
Impact protection rating	IK08

Lifespan

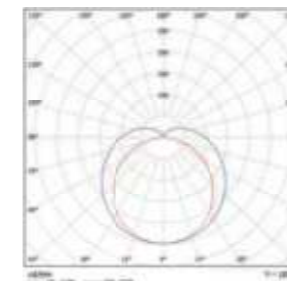
Lifespan L80B10 at Ta=25°C	50 000 h
----------------------------	----------



Product Orientation & Dimensions



Photometry



110° x 150°

Accessories



MA- 06V010STD
Mounting clips (2 pcs included)

Order Guide

VEGA

Material number	BA-EL426ILG1N	BA-EL540ILG1N
Lumen output (lm)	4 000	6 000
Power (W)	26	40
Efficacy (lm/W)	154	150
Length (mm)	1 200	1 500
CCT	4000K (5000K available)	
Operating temp.	-30 to +40°C	
Beam angle	110° x 150°	
Control interface	ON/OFF	
Lifetime	L80B10 >50 000h at Ta=25°C	

LED High-Bay Lighting



LED High-Bay Lighting

STACCATO

Robustness meets efficiency



65°C 125 | 150 | 200 | 260 | 310 W

75°C 130 | 150 | 200 W

90°C 125 | 150 | 200 | 260 W

STACCATO is a range of robust and durable industrial LED high-bay luminaires, designed for resilience in extreme hot and cold conditions. Available in three temperature ranges, it features tempered glass protection and double over-temperature protection for enhanced durability and safety. With its powerful illumination and resilient construction, this high-bay luminaire is an excellent choice for industrial settings where both lighting performance and protective measures are crucial.

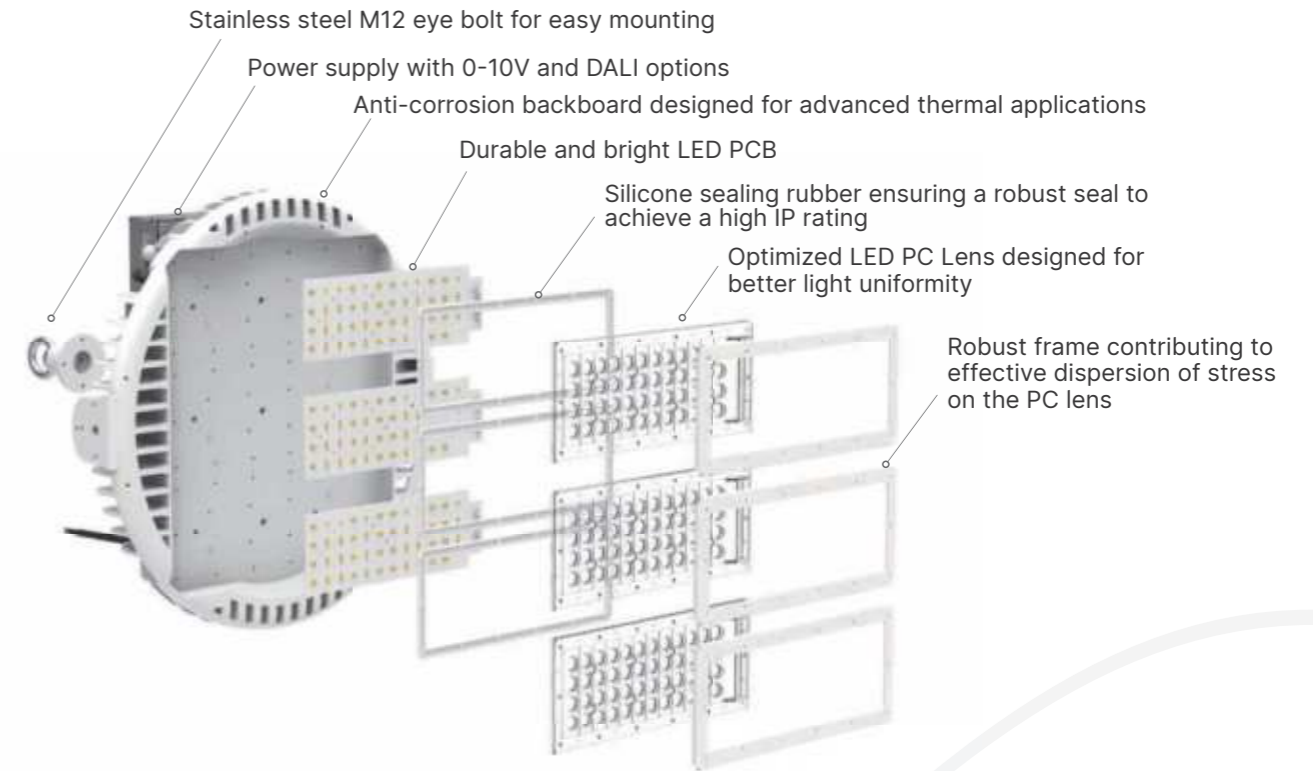
Key Features

- Robust & Durable
- Excellent Thermal Control Function
- Tempered Glass Protection
- Dimming & Integrated Sensor Function
- Convenient Installation Options
- With up to 178 lm/W Efficacy

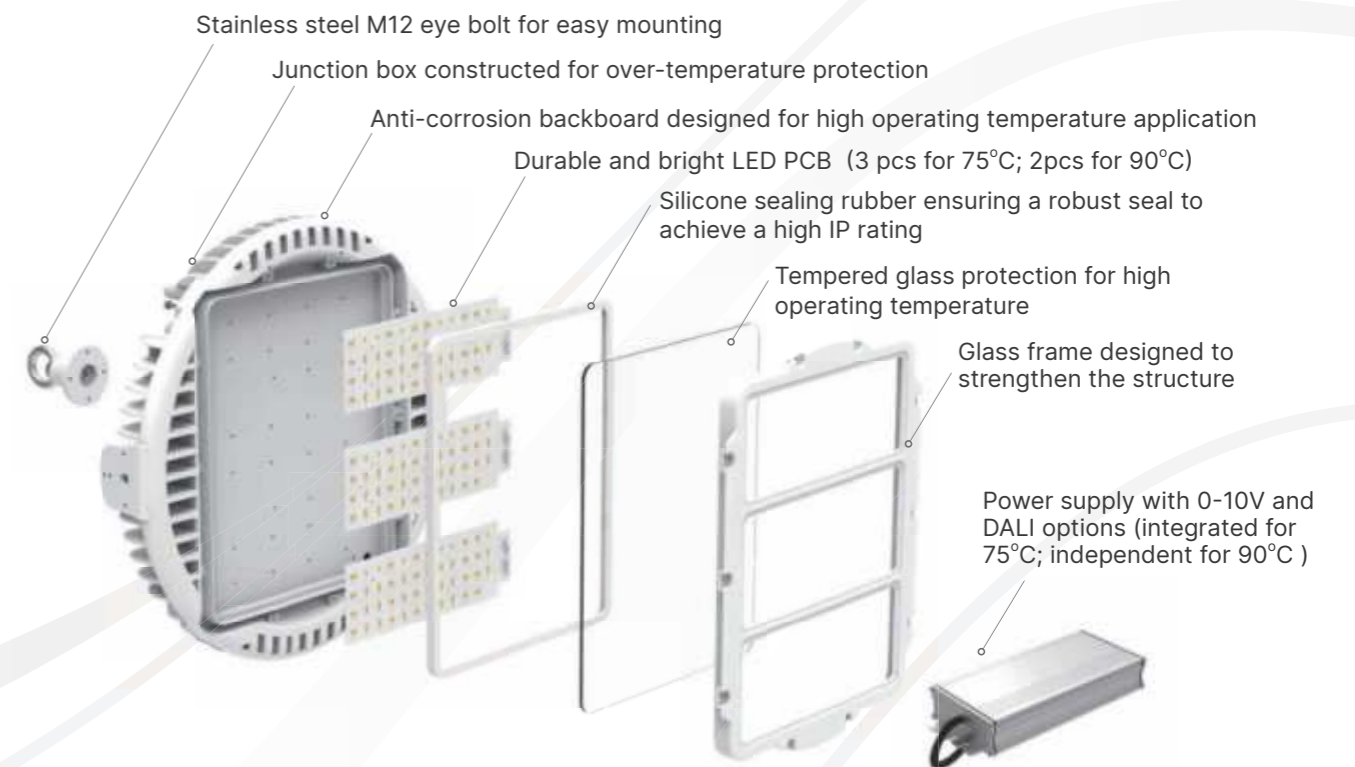


Product Components

Lens version 65°C



Glass version 75°C / 90°C





65°C



75°C & 90°C

Technical Data



Electrical Data

Nominal wattage	125 – 310 W
Nominal voltage	220 – 240 V
Power factor	>0.95
Total harmonic distortion	<20%
Surge protection	10kV
Protection class	Class I
Driver efficiency and mounting	>90%
Operating mode	0-10 V DALI

Photometric Data

Luminous flux	19 200 to 51 200 lm
Luminous efficacy	138 – 175 lm/W
Color temperature	4000K 5000K
Color rendering index	>80 (65°C & 75°C) / >70 (90°C)
Standard deviation of color matching	3 SDCM
Beam angle	60°; 100°; 65° x 100°; 110°; 115° x 105°
UGR	<27

Materials & Colors

Product color	White color
Housing color	Anti-corrosion white paint coating RAL9003
Body material	Die casting aluminum
Optics material	Polycarbonate with F1 rating
Seal material	Silicone rubber

Application & Mounting

Ambient temperature range	-40 to +65°C (+65°C) -40 to +75°C (+75°C) -20 to +90°C (+90°C)
Ingress protection rating	IP66 (65°C) / IP65 (75°C & 90°C) IK10 (65°C) / IK07 (75°C & 90°C)

Lifespan

Lifespan L80B10 at Ta=25°C	100 000 h (65°C & 90°C) 60 000 h (75°C)
----------------------------	--



Order Guide

Staccato 65°C - 100° - 4000K

Material number	HBEC4H0AE	HBEBF4H0AE	HBEBK4H0AE	HBEBR4H0AE	HBEBW4H01E
Lumen output (lm)	20 000	26 200	33 100	42 600	50 200
Power (W)	125	150	200	260	310
Efficacy (lm/W)	160	175	166	164	162
Dimensions (mm)	440 x 160				
CCT	4000K				
Operating temp.	-40 to +65°C				-40 to +50°C
Beam angle	100°				
Control interface	DALI				0-10V
Lifetime	L80B10 >100 000h at Ta=25°C				

Staccato 65°C - 60° - 4000K

Material number	HBEC460AE	HBEBF460AE	HBEBK460AE	HBEBR460AE	HBEBW4601E
Lumen output (lm)	19 200	25 200	31 500	40 500	48 200
Power (W)	125	150	200	260	310
Efficacy (lm/W)	154	168	158	156	155
Dimensions (mm)	440 x 160				
CCT	4000K				
Operating temp.	-40 to +65°C				-40 to +50°C
Beam angle	60°				
Control interface	DALI				0-10V
Lifetime	L80B10 >100 000h at Ta=25°C				

Staccato 65°C - 65° x 100° - 4000K

Material number	HBEC4A3AE	HBEBF4A3AE	HBEBK4A3AE	HBEBR4A3AE	HBEBW4A31E
Lumen output (lm)	20 200	265 200	33 100	42 600	50 200
Power (W)	125	150	200	260	310
Efficacy (lm/W)	160	175	166	164	162
Dimensions (mm)	440 x 160				
CCT	4000K				
Operating temp.	-40 to +65°C				-40 to +50°C
Beam angle	65° x 100°				
Control interface	DALI				0-10V
Lifetime	L80B10 >100 000h at Ta=25°C				

Staccato 65°C - 100° - 5000K

Material number	HBEC5H0AE	HBEBF5H0AE	HBEBK5H0AE	HBEBR5H0AE	HBEBW5H01E
Lumen output (lm)	20 400	26 700	33 700	43 400	51 200
Power (W)	125	150	200	260	310
Efficacy (lm/W)	163	178	169	167	165
Dimensions (mm)	440 x 160				
CCT	5000K				
Operating temp.	-40 to +65°C				-40 to +50°C
Beam angle	100°				
Control interface	DALI				0-10V
Lifetime	L80B10 >100 000h at Ta=25°C				

Staccato 65°C - 60° - 5000K

Material number	HBEC560AE	HBEBF560AE	HBEBK560AE	HBEBW5600E	HBEBW5600E
Lumen output (lm)	19 500	25 500	32 500	41 500	49 200
Power (W)	125	150	200	260	310
Efficacy (lm/W)	156	170	163	160	159
Dimensions (mm)	440 x 160				
CCT	5000K				
Operating temp.	-40 to +65°C				-40 to +50°C
Beam angle	60°				
Control interface	DALI				0-10V
Lifetime	L80B10 >100 000h at Ta=25°C				

Order Guide

Staccato 65°C - 65° x 100° - 5000K

Material number	HBEB5H0AE	HBEBF5H0AE	HBEBK5H0AE	HBEBR5H0A	HBEBW5H01E
Lumen output (lm)	20 400	26 700	33 700	43 400	51 200
Power (W)	125	150	200	260	310
Efficacy (lm/W)	163	178	169	167	165
Dimensions (mm)	440 x 160				
CCT	5000K				
Operating temp.	-40 to +65°C				-40 to +50°C
Beam angle	65° x 100°				
Control interface	DALI				0-10V
Lifetime	L80B10 >100 000h at Ta=25°C				

Staccato 75°C - 110° - 4000K

Material number	HBEBD4G11E	HBEBF4G11E	HBEBK4G11E
Lumen output (lm)	19 500	22 500	28 500
Power (W)	130	150	200
Efficacy (lm/W)	150	150	143
Dimensions (mm)	440 x 160		
CCT	4000K		
Operating temp.	-40 to +75°C		
Beam angle	110° / Tempered-Glass		
Control interface	0-10V		
Lifetime	L80B10 >60 000h at Ta=25°C		

Staccato 75°C - 110° - 5000K

Material number	HBEBD5G11E	HBEBF5G11E	HBEBK4G11E
Lumen output (lm)	19 800	22 900	29 000
Power (W)	130	150	200
Efficacy (lm/W)	152	153	145
Dimensions (mm)	440 x 160		
CCT	5000K		
Operating temp.	-40 to +75°C		
Beam angle	110° / Tempered-Glass		
Control interface	0-10V		
Lifetime	L80B10 >60 000h at Ta=25°C		

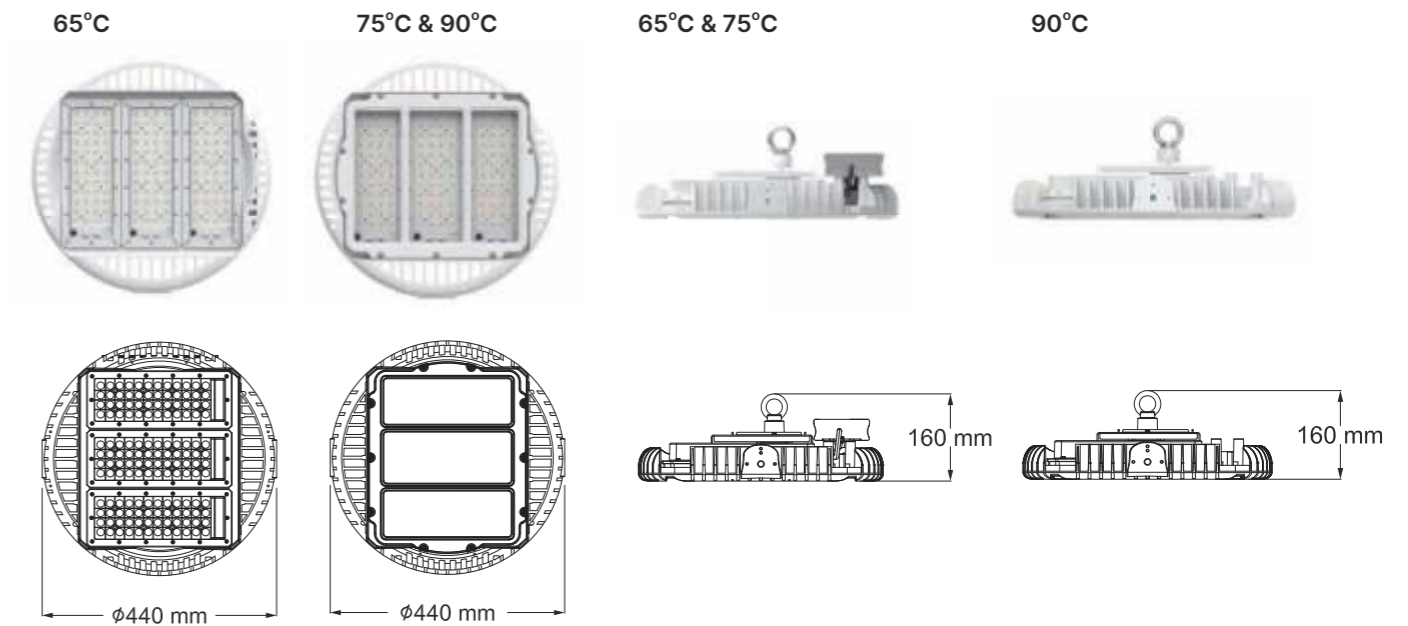
Staccato 90°C - 115° x 105° - 4000K

Material number	HBEB4G1NE-T	HBEBF4G1NE-T	HBEBK4G1NE-T	HBEBR4G1NE-T
Lumen output (lm)	20 000	23 000	29 000	36 000
Power (W)	125	150	200	260
Efficacy (lm/W)	160	153	145	138
Dimensions (mm)	440 x 160			
CCT	4000K			
Operating temp.	-20 to +90°C			
Beam angle	115° x 105° / Tempered-Glass			
Control interface	0-10V (DALI optional)			
Lifetime	L80B10 >100 000h at Ta=25°C			

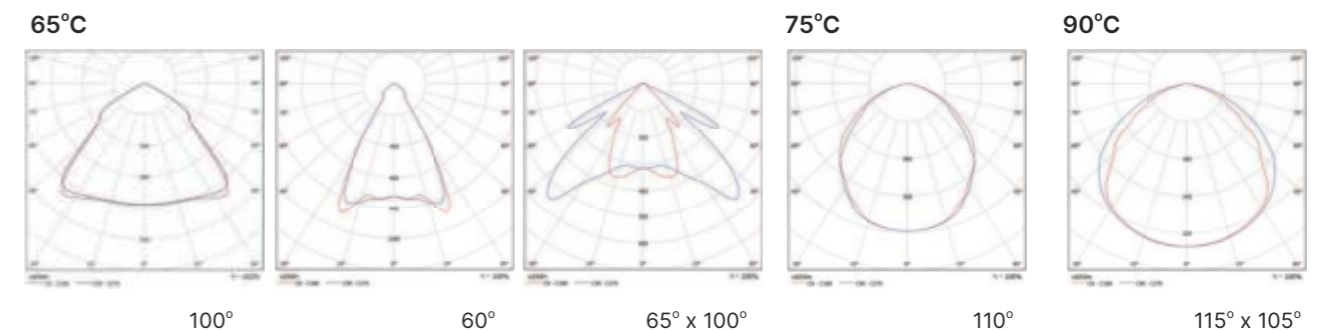
Staccato 90°C - 115° x 105° - 5000K

Material number	HBEB4G1NE-T	HBEBF5G1NE-T	HBEBK5G1NE-T	HBEBR5G1NE-T
Lumen output (lm)	20 000	23 000	29 000	36 000
Power (W)	125	150	200	260
Efficacy (lm/W)	160	153	145	138
Dimensions (mm)	440 x 160			
CCT	5000K			
Operating temp.	-20 to +90°C			
Beam angle	115° x 105° / Tempered-Glass			
Control interface	0-10V (DALI optional)			
Lifetime	L80B10 >100 000h at Ta=25°C			

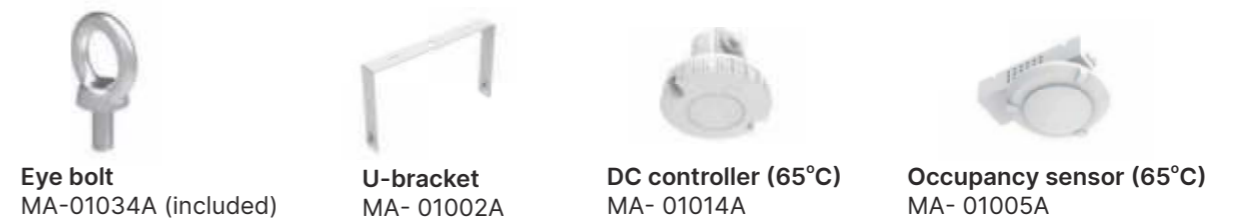
Product Orientation & Dimensions



Photometry



Accessories



Eye bolt
MA-01034A (included)

U-bracket
MA-01002A

DC controller (65°C)
MA-01014A

Occupancy sensor (65°C)
MA-01005A

Naming Rules

Code	Product code							
HBE	Staccato							
	Code	Mounting type						
	B	Eye bolt						
	Code	Power consumption						
	C	125W						
	F	150W						
	K	200W						
	R	260W						
	W	310W						
	D	130W						
	Code	CCT						
	4	4000K						
	5	5000K						
	Code	Optics						
	60	Symmetric 60°						
	H0	Symmetric 100°						
	A3	Asymmetric 65° x 110° for Aisle						
	G1	Glass version						
	Code	Dimming option						
	1	0-10V dimming						
	A	DALI						
	N	External driver						
	Code	Region						
	E	EMEA						
	Code	Prefix						
	-T	High Temperature						
	-V	347-480 V						
Example	HBE	F	8	4	60	1	E	-T

LED High-Bay Lighting

LED High-Bay Lighting

LEGATTO RADIANT

Efficient with integrated sensor



LEGATTO RADIANT 70 | 90 | 120 | 150 | 180 | 210 W

LEGATTO RADIANT designed with exceptional energy efficiency and best-in class optics, delivers outstanding illumination while minimizing energy consumption. The sleek black color of the enclosure adds a touch of modern elegance to your space, making it a perfect choice for variant applications from production lines to exhibition centers. To provide a reliable, easy to use and powerful connected lighting experience, Legatto Radiant is available in DALI and can be equipped with an occupancy sensor.

Key Features

- Ultimate Reliability
- Excellent Energy Savings
- Integrated Occupancy Sensor
- Thermal Control Function
- Convenient Installation Options
- With up to 188 lm/W Efficacy



Warehouse



Logistic Centers



Transport

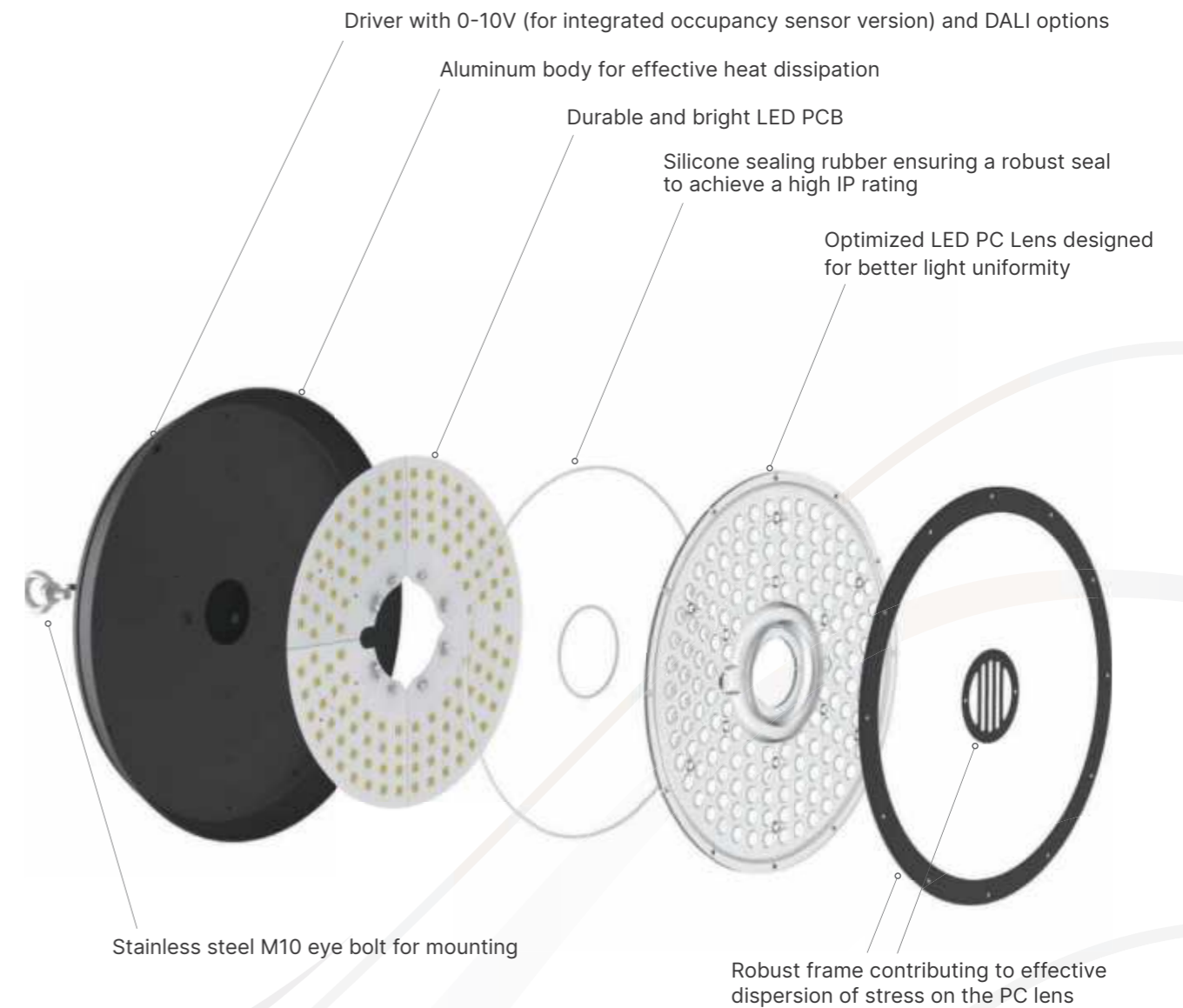


Exhibition Halls



General Manufacturing

Product Components





Technical Data

Electrical Data

Nominal wattage	70 – 210 W
Nominal voltage	220 – 240 V
Power factor	>0.95
Total harmonic distortion	<20%
Surge protection	4kV
Protection class	Class I
Driver efficiency and mounting	>90%
Operating mode	0-10 V DALI

Photometric Data

Luminous flux	12 000 to 36 500 lm
Luminous efficacy	157 – 188 lm/W
Color temperature	4000K 5000K 6500K (optional)
Color rendering index	>80
Standard deviation of color matching	3 SDCM
Beam angle	100°; 60°; 40° x 90°
UGR	<26

Materials & Colors

Product color	Black
Housing color	Black
Body material	Die casting aluminum
Optics material	Polycarbonate with F1 rating
Seal material	Silicone rubber

Application & Mounting

Ambient temperature range	-40 to +60°C
Ingress protection rating	IP65
Impact protection rating	IK10

Lifespan

Lifespan L80B10 at Ta=25°C	100 000 h
----------------------------	-----------



Order Guide

Legatto Radiant 100° - 4000K

Material number	SBDB74H0ME-2	SBDB94H0ME-2	SBDBC4H0ME-2	SBDBF4H0ME-2	SBDBM4H0ME-2	SBDBN4H0ME-2
Lumen output (lm)	13 000	16 500	22 500	27 500	33 000	36 500
Power (W)	70	90	120	150	180	210
Efficacy (lm/W)	186	183	188	183	183	174
Dimensions (mm)	410 x 170					
CCT	4000K					
Operating temp.	-40 to +60°C					
Beam angle	100°					
Control interface	Occupancy sensor (0-10V)					
Lifetime	L80B10 >100 000h at Ta=25°C					

Legatto Radiant 100° - 4000K - DALI

Material number	SBDB74H0DE-2	SBDB94H0DE-2	SBDBC4H0DE-2	SBDBF4H0DE-2	SBDBM4H0DE-2	SBDBN4H0DE-2
Lumen output (lm)	13 000	16 500	22 500	27 500	33 000	36 500
Power (W)	70	90	120	150	180	210
Efficacy (lm/W)	186	183	188	183	183	174
Dimensions (mm)	410 x 170					
CCT	4000K					
Operating temp.	-40 to +60°C					
Beam angle	100°					
Control interface	DALI					
Lifetime	L80B10 >100 000h at Ta=25°C					

Legatto Radiant 60° - 4000K

Material number	SBDB7460ME-2	SBDB9460ME-2	SBDBC460ME-2	SBDBF460ME-2	SBDB-M460ME-2	SBDBN460ME-2
Lumen output (lm)	12 000	15 500	20 500	25 500	30 500	33 500
Power (W)	70	90	120	150	180	210
Efficacy (lm/W)	171	172	171	170	169	160
Dimensions (mm)	410 x 170					
CCT	4000K					
Operating temp.	-40 to +60°C					
Beam angle	60°					
Control interface	Occupancy sensor (0-10V)					
Lifetime	L80B10 >100 000h at Ta=25°C					

Legatto Radiant 60° - 4000K - DALI

Material number	SBDB7460DE-2	SBDB9460DE-2	SBDBC460DE-2	SBDBF460DE-2	SBDBM460DE-2	SBDBN460DE-2
Lumen output (lm)	12 000	15 500	20 500	25 500	30 500	33 500
Power (W)	70	90	120	150	180	210
Efficacy (lm/W)	171	172	171	170	169	160
Dimensions (mm)	410 x 170					
CCT	4000K (5000K) same lumen					
Operating temp.	-40 to +60°C					
Beam angle	60°					
Control interface	DALI					
Lifetime	L80B10 >100 000h at Ta=25°C					

Order Guide

Legatto Radiant 40° x 90° - 4000K

Material number	SBDB74A4ME-2	SBDB94A4ME-2	SBDBC4A4ME-2	SBDBF4A4ME-2	SBDBM4A4ME-2	SBDBN4A4ME-2
Lumen output (lm)	13 000	16 500	20 500	25 500	30 000	33 000
Power (W)	70	90	120	150	180	210
Efficacy (lm/W)	186	183	171	170	167	157
Dimensions (mm)	410 x 170					
CCT	4000K					
Operating temp.	-40 to +60°C					
Beam angle	40° x 90°					
Control interface	Occupancy sensor (0-10V)					
Lifetime	L80B10 >100 000h at Ta=25°C					

Legatto Radiant 40° x 90° - 4000K - DALI

Material number	SBDB74A4DE-2	SBDB94A4DE-2	SBDBC4A4DE-2	SBDBF4A4DE-2	SBDBM4A4DE-2	SBDBN4A4DE-2
Lumen output (lm)	13 000	16 500	20 500	25 500	30 000	33 000
Power (W)	70	90	120	150	180	210
Efficacy (lm/W)	186	183	171	170	167	157
Dimensions (mm)	410 x 170					
CCT	4000K					
Operating temp.	-40 to +60°C					
Beam angle	40° x 90°					
Control interface	DALI					
Lifetime	L80B10 >100 000h at Ta=25°C					

Legatto Radiant 100° - 5000K

Material number	SBDB75H0ME-2	SBDB95H0ME-2	SBDBC5H0ME-2	SBDBF5H0ME-2	SBDBM5H0ME-2	SBDBN5H0ME-2
Lumen output (lm)	13 000	16 500	22 500	27 500	33 000	36 500
Power (W)	70	90	120	150	180	210
Efficacy (lm/W)	186	183	188	183	183	174
Dimensions (mm)	414 x 125					
CCT	5000K					
Operating temp.	-40 to +60°C					
Beam angle	100°					
Control interface	Occupancy sensor (0-10V)					
Lifetime	L80B10 >100 000h at Ta=25°C					

Legatto Radiant 100° - 5000K - DALI

Material number	SBDB75H0DE-2	SBDB95H0DE-2	SBDBC5H0DE-2	SBDBF5H0DE-2	SBDBM5H0DE-2	SBDBN5H0DE-2
Lumen output (lm)	13 000	16 500	22 500	27 500	33 000	36 500
Power (W)	70	90	120	150	180	210
Efficacy (lm/W)	186	183	188	183	183	174
Dimensions (mm)	410 x 170					
CCT	5000K					
Operating temp.	-40 to +60°C					
Beam angle	100°					
Control interface	DALI					
Lifetime	L80B10 >100 000h at Ta=25°C					

Order Guide

Legatto Radiant 60° - 5000K

Material number	SBDB7560ME-2	SBDB9560ME-2	SBDBC560ME-2	SBDBF560ME-2	SBDBM560ME-2	SBDBN560ME-2
Lumen output (lm)	12 000	15 500	20 500	25 500	30 500	33 500
Power (W)	70	90	120	150	180	210
Efficacy (lm/W)	171	172	171	170	169	160
Dimensions (mm)	410 x 170					
CCT	5000K					
Operating temp.	-40 to +60°C					
Beam angle	60°					
Control interface	Occupancy sensor (0-10V)					
Lifetime	L80B10 >100 000h at Ta=25°C					

Legatto Radiant 60° - 5000K - DALI

Material number	SBDB7560DE-2	SBDB9560DE-2	SBDBC560DE-2	SBDBF560DE-2	SBDBM560DE-2	SBDBN560DE-2
Lumen output (lm)	12 000	15 500	20 500	25 500	30 500	33 500
Power (W)	70	90	120	150	180	210
Efficacy (lm/W)	171	172	171	170	169	160
Dimensions (mm)	410 x 170					
CCT	5000K					
Operating temp.	-40 to +60°C					
Beam angle	60°					
Control interface	DALI					
Lifetime	L80B10 >100 000h at Ta=25°C					

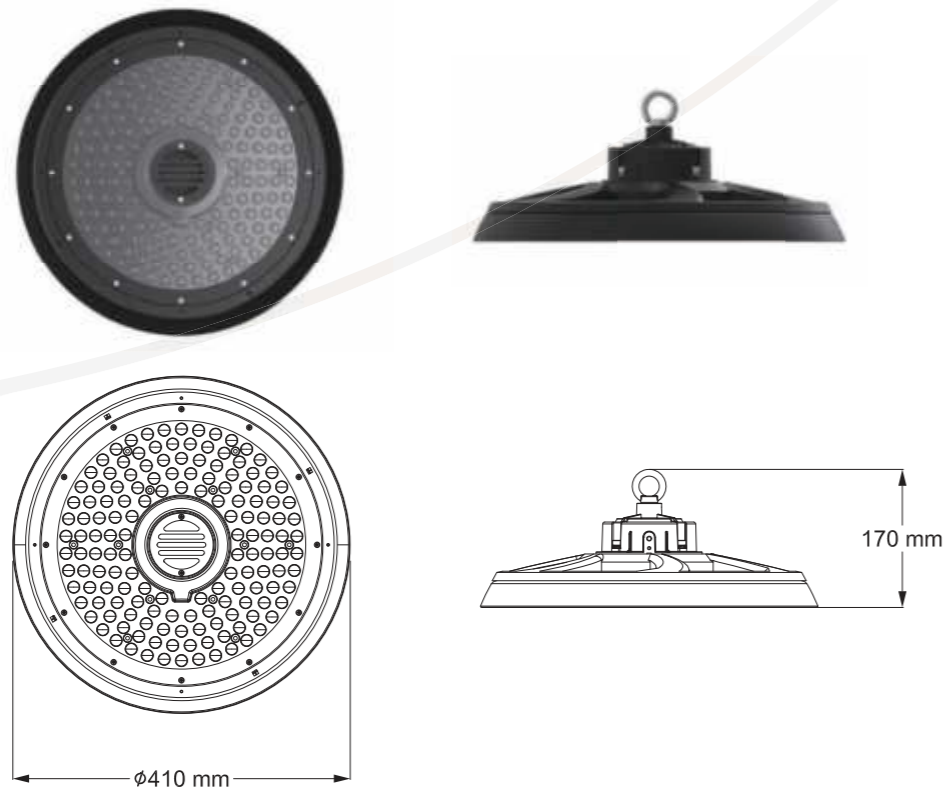
Legatto Radiant 40° x 90° - 5000K

Material number	SBDB75A4ME-2	SBDB95A4ME-2	SBDBC5A4ME-2	SBDBF5A4ME-2	SBDBM5A4ME-2	SBDBN5A4ME-2
Lumen output (lm)	13 000	16 500	20 500	25 500	30 000	33 000
Power (W)	70	90	120	150	180	210
Efficacy (lm/W)	186	183	171	170	167	157
Dimensions (mm)	410 x 170					
CCT	5000K					
Operating temp.	-40 to +60°C					
Beam angle	40° x 90°					
Control interface	Occupancy sensor (0-10V)					
Lifetime	L80B10 >100 000h at Ta=25°C					

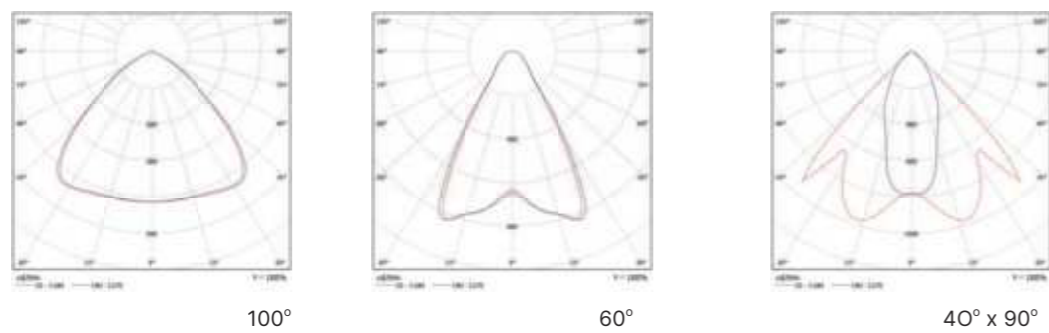
Legatto Radiant 40° x 90° - 5000K - DALI

Material number	SBDB75A4DE-2	SBDB95A4DE-2	SBDBC5A4DE-2	SBDBF5A4DE-2	SBDBM5A4DE-2	SBDBN5A4DE-2
Lumen output (lm)	13 000	16 500	20 500	25 500	30 000	33 000
Power (W)	70	90	120	150	180	210
Efficacy (lm/W)	186	183	171	170	167	157
Dimensions (mm)	410 x 170					
CCT	5000K					
Operating temp.	-40 to +60°C					
Beam angle	40° x 90°					
Control interface	DALI					
Lifetime	L80B10 >100 000h at Ta=25°C					

Product Orientation & Dimensions



Photometry



Accessories



U-bracket
MA-01433A



Eye bolt
MA-01036A (included)



DC controller
MA-01014A



Motion sensor remote control
MA-01035A

Naming Rules

Code	Product code														
SBD	Legatto														
	<table border="1"> <thead> <tr> <th>Code</th> <th>Mounting type</th> </tr> </thead> <tbody> <tr> <td>B</td> <td>Eye bolt</td> </tr> </tbody> </table>	Code	Mounting type	B	Eye bolt										
Code	Mounting type														
B	Eye bolt														
	<table border="1"> <thead> <tr> <th>Code</th> <th>Power consumption</th> </tr> </thead> <tbody> <tr> <td>7</td> <td>70W</td> </tr> <tr> <td>9</td> <td>90W</td> </tr> <tr> <td>C</td> <td>120W</td> </tr> <tr> <td>F</td> <td>150W</td> </tr> <tr> <td>M</td> <td>180W</td> </tr> <tr> <td>N</td> <td>210W</td> </tr> </tbody> </table>	Code	Power consumption	7	70W	9	90W	C	120W	F	150W	M	180W	N	210W
Code	Power consumption														
7	70W														
9	90W														
C	120W														
F	150W														
M	180W														
N	210W														
	<table border="1"> <thead> <tr> <th>Code</th> <th>CCT</th> </tr> </thead> <tbody> <tr> <td>4</td> <td>4000K</td> </tr> <tr> <td>5</td> <td>5000K</td> </tr> </tbody> </table>	Code	CCT	4	4000K	5	5000K								
Code	CCT														
4	4000K														
5	5000K														
	<table border="1"> <thead> <tr> <th>Code</th> <th>Optics</th> </tr> </thead> <tbody> <tr> <td>60</td> <td>Symmetric 60°</td> </tr> <tr> <td>H0</td> <td>Symmetric 100°</td> </tr> <tr> <td>A4</td> <td>Asymmetric 40° x 90° for Aisle</td> </tr> </tbody> </table>	Code	Optics	60	Symmetric 60°	H0	Symmetric 100°	A4	Asymmetric 40° x 90° for Aisle						
Code	Optics														
60	Symmetric 60°														
H0	Symmetric 100°														
A4	Asymmetric 40° x 90° for Aisle														
	<table border="1"> <thead> <tr> <th>Code</th> <th>Dimming option</th> </tr> </thead> <tbody> <tr> <td>0</td> <td>0-10V dimming</td> </tr> <tr> <td>M</td> <td>with Motion sensor</td> </tr> <tr> <td>D</td> <td>DALI</td> </tr> </tbody> </table>	Code	Dimming option	0	0-10V dimming	M	with Motion sensor	D	DALI						
Code	Dimming option														
0	0-10V dimming														
M	with Motion sensor														
D	DALI														
	<table border="1"> <thead> <tr> <th>Code</th> <th>Region</th> </tr> </thead> <tbody> <tr> <td>E</td> <td>EMEA</td> </tr> </tbody> </table>	Code	Region	E	EMEA										
Code	Region														
E	EMEA														
	<table border="1"> <thead> <tr> <th>Code</th> <th>Prefix</th> </tr> </thead> <tbody> <tr> <td>-2</td> <td>Radiant</td> </tr> </tbody> </table>	Code	Prefix	-2	Radiant										
Code	Prefix														
-2	Radiant														
Example	<table border="1"> <tbody> <tr> <td>SBD</td> <td>B</td> <td>M</td> <td>4</td> <td>60</td> <td>D</td> <td>E</td> <td>-2</td> </tr> </tbody> </table>	SBD	B	M	4	60	D	E	-2						
SBD	B	M	4	60	D	E	-2								

LED High-Bay Lighting



LED High-Bay Lighting

HIGHBAY EKO

Energy-efficient & power adjustable



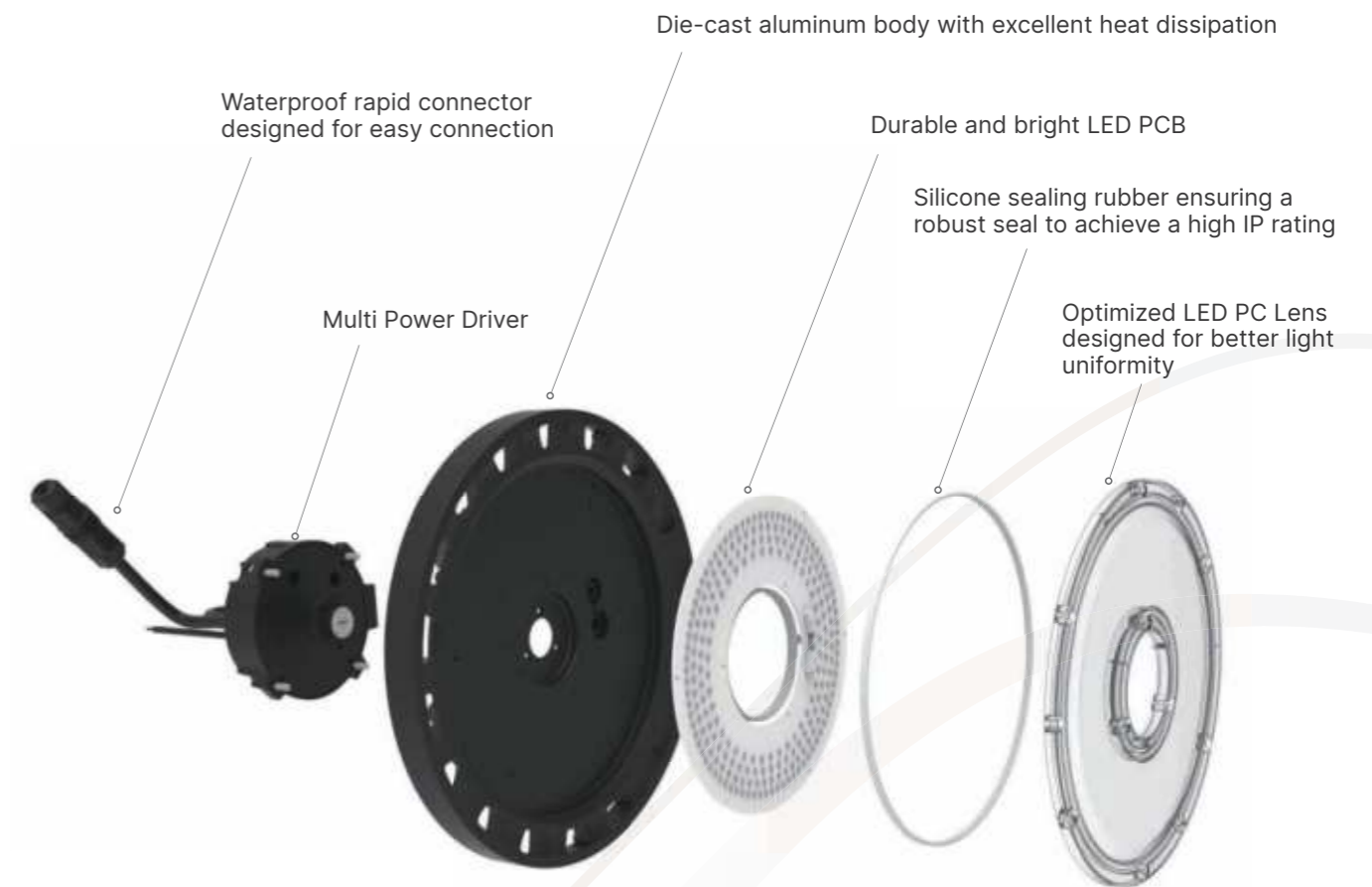
- | | |
|-------------------------|-------------------------|
| HIGHBAY EKO MULTI-LUMEN | 70 / 100 / 120 / 150 W |
| | 120 / 150 / 180 / 200 W |
| HIGHBAY EKO DALI | 150 200 W |

HIGHBAY EKO is designed for energy efficiency, optimal performance and flicker-free illumination. Its passive cooling structure reduces noise, while the graphene housing ensures excellent heat dissipation. You can effortlessly choose your preferred lighting levels with the 4-step multi-lumen switch.

Key Features

- Excellent Heat Dissipation Housing
- Passive Cooling Structure
- Multi-lumen & Power Switchable
- Easy Installation with Hook Mounting
- Integrated Motion & Daylight Sensor (optional)
- With 180 lm/W Efficacy

Product Components



Warehouse



Logistic Centers



Transport



Exhibition Halls



General Manufacturing



Technical Data

Electrical Data

Nominal wattage	70 – 200 W
Nominal voltage	220 – 240 V
Power factor	>0.95
Total harmonic distortion	<15%
Surge protection	6kV
Protection class	Class I
Driver efficiency and mounting	>93%
Operating mode	1-10 V DALI 2

Photometric Data

Luminous flux	12 600 to 36 000 lm
Luminous efficacy	180 lm/W
Color temperature	4000K 5000K
Color rendering index	>80
Standard deviation of color matching	<6 SDCM
Beam angle	100°

Materials & Colors

Product color	Black
Housing color	Black
Body material	Aluminum
Optics material	Polycarbonate
Seal material	Silicon ring

Application & Mounting

Ambient temperature range	-30 to +50°C
Ingress protection rating	IP65
Impact protection rating	IK08

Lifespan

Lifespan L80B10 at Ta=25°C	50 000 h
----------------------------	----------



Order Guide

Highbay EKO - Multi Lumen - 4000K

Material number	LSHD05HBEF4RH0-ML	LSHD05HBEK4RH0-ML
Lumen output (lm)	12 600 / 18 000 / 21 600 / 27 000	21 600 / 27 000 / 32 400 / 36 000
Power (W)	70 / 100 / 120 / 150 (switchable)	120 / 150 / 180 / 200 (switchable)
Efficacy (lm/W)	180	
Dimensions (mm)	300 x 160	360 x 160
CCT	4000K	
Operating temp.	-30 to +50°C	
Beam angle	100°	
Control interface	1-10V	
Lifetime	L80B10 >50 000h at Ta=25°C	

Highbay EKO - 4000K - DALI

Material number	LSHD05HBEF4RH0-D	LSHD05HBEK4RH0-D
Lumen output (lm)	27 000	36 000
Power (W)	150	200
Efficacy (lm/W)	180	
Dimensions (mm)	300 x 160	360 x 160
CCT	4000K	
Operating temp.	-30 to +50°C	
Beam angle	100°	
Control interface	DALI 2	
Lifetime	L80B10 >50 000h at Ta=25°C	

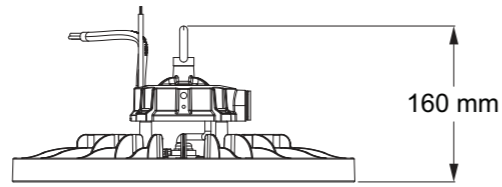
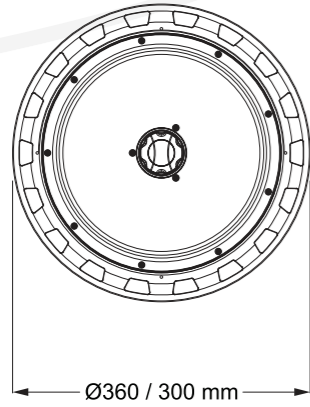
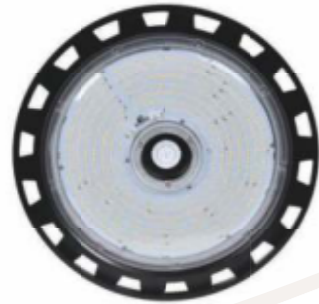
Highbay EKO - Multi Lumen - 5000K

Material number	LSHD05HBEF5RH0-ML	LSHD05HBEK5RH0-ML
Lumen output (lm)	12 600 / 18 000 / 21 600 / 27 000	21 600 / 27 000 / 32 400 / 36 000
Power (W)	70 / 100 / 120 / 150 (switchable)	120 / 150 / 180 / 200 (switchable)
Efficacy (lm/W)	180	
Dimensions (mm)	300 x 160	360 x 160
CCT	5000K	
Operating temp.	-30 to +50°C	
Beam angle	100°	
Control interface	1-10V	
Lifetime	L80B10 >50 000h at Ta=25°C	

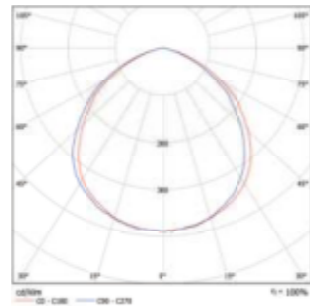
Highbay EKO - 5000K - DALI

Material number	LSHD05HBEF5RH0-D	LSHD05HBEK5RH0-D
Lumen output (lm)	27 000	36 000
Power (W)	150	200
Efficacy (lm/W)	180	
Dimensions (mm)	300 x 160	360 x 160
CCT	5000K	
Operating temp.	-30 to +50°C	
Beam angle	100°	
Control interface	DALI 2	
Lifetime	L80B10 >50 000h at Ta=25°C	

Product Orientation & Dimensions



Photometry



Accessories



U-bracket
LSHD05HBE0017



Pole bracket
LSHD05HBE0031



Motion & daylight sensor
LSHD05HBE0018



Motion sensor remote control
LSHD05HBE0019



70° PC refractor
LSHD05HBE0020

LED Panel Lighting

LED Panel Lighting

ALBEDOECO BACK-LIT (BL)

Energy-efficient & power adjustable

ALBEDOECO BL STANDARD 24 / 28 / 32 / 35 W

ALBEDOECO BL RADIANT 24 / 28 / 32 / 36 W

ALBEDOECO BL RADIANT IP54 24 / 28 / 32 / 36 W

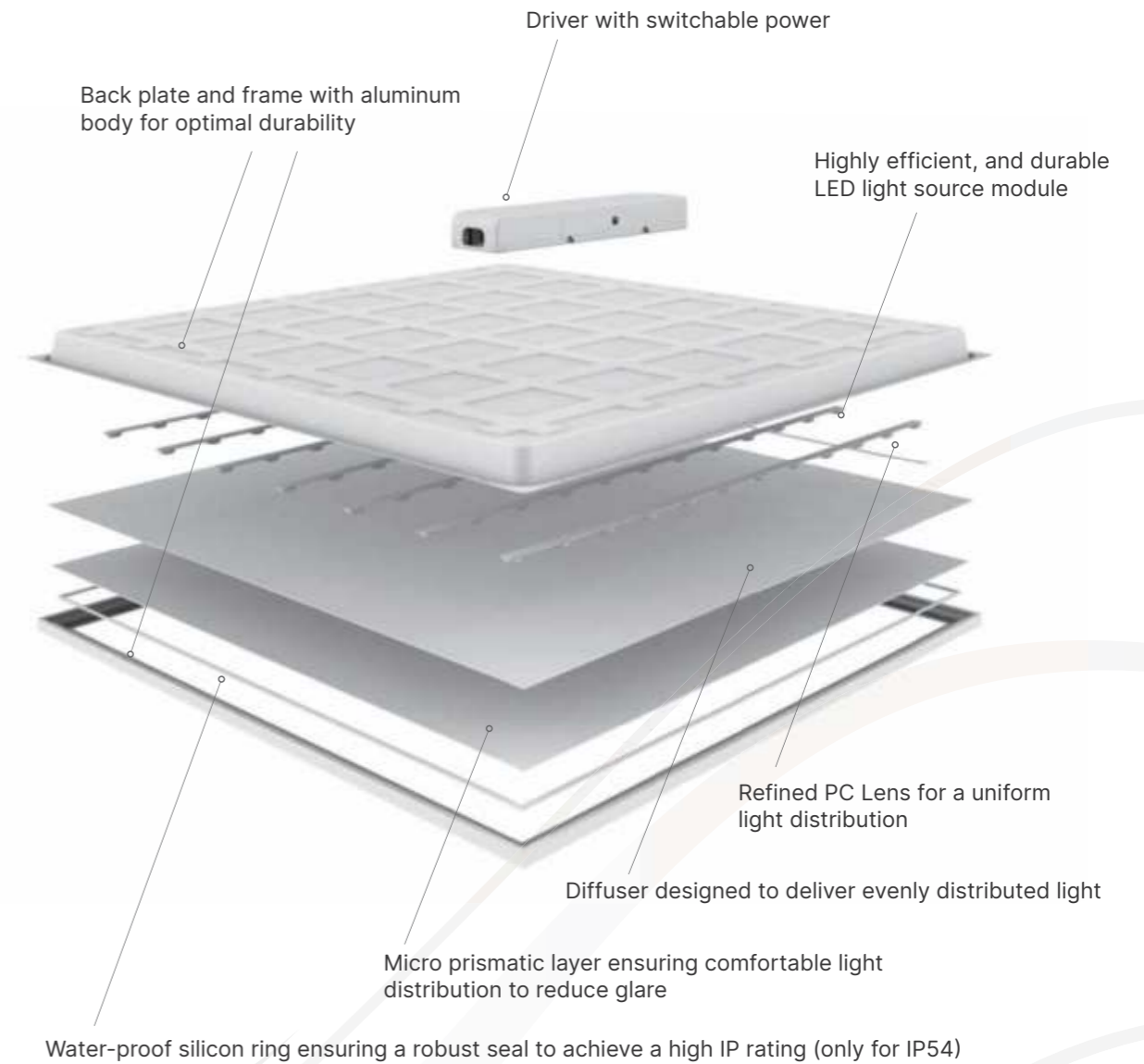
ALBEDOECO BACK-LIT panel delivers optimal visual comfort with a UGR19 rating and micro-prismatic diffuser, ensuring a glare-free environment. It offers adjustable power switch to effortlessly tailor lighting levels to your preference and you can simply change it if required. Its plug & play connector provides convenient installation and maintenance.

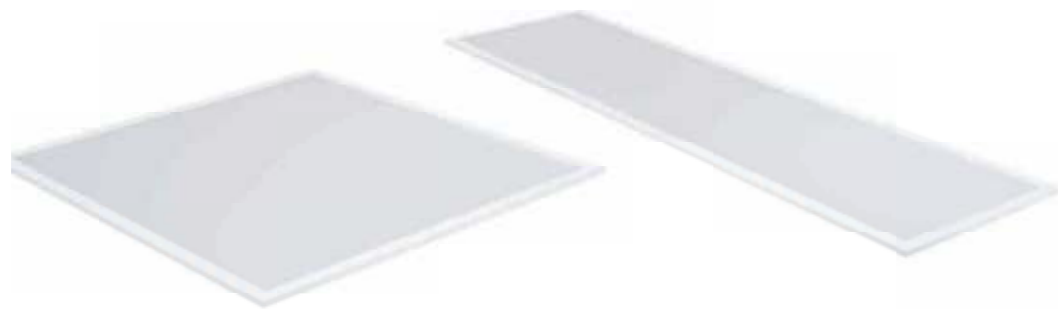
Key Features

- Slim & Lightweight for Easy Installation
- UGR19 with Micro-prismatic Diffuser
- Multi-lumen & Power Switchable
- Best Flicker-free Lighting
- Simple Plug & Play Connector
- With IP40 & IP54 ratings
- Up to 140 lm/W Efficacy



Product Components





Technical Data

Electrical Data

Nominal wattage	24 – 36 W (power adjustable)
Nominal voltage	220 – 240 V
Power factor	>0.9
Total harmonic distortion	<20%
Surge protection	1kV
Protection class	Class II
Driver efficiency and mounting	86%
Operating mode	ON/OFF – DALI 2

Photometric Data

Luminous flux	2 650 to 5 000 lm
Luminous efficacy	120 – 140 lm/W
Color temperature	4000K 3000K/4000K (CCT adjustable)
Color rendering index	>80
Standard deviation of color matching	<4 SDCM
Beam angle	90°
UGR	19

Materials & Colors

Product color	White
Housing color	White
Body material	Aluminum
Optics material	PS/PMMA
Seal material	NA

Application & Mounting

Ambient temperature range	-20 to +40°C
Ingress protection rating	IP20 (back side) / IP40 (room side) IP20 (back side) / IP54 (room side)
Impact protection rating	IK02

Lifespan

Lifespan L80B10 at Ta=25°C	50 000 h
----------------------------	----------



Order Guide

AlbedoEco Back-lit Standard

Material number	LSHD05PACS6340-ML	LSHD05PACSG340-ML	LSHD05PACSR343
Lumen output (lm)	2 880 / 3360 / 3840 / 4200		2 880 / 3360 / 3840 / 4200 @4000K 2650 / 3100 / 3550 / 3900 @3000K
Power (W)	24 / 28 / 32 / 35 (switchable)		
Efficacy (lm/W)	Up to 120		
Dimensions (mm)	595 x 595 x 33	620 x 620 x 33	295 x 1195 x 33
CCT	4000K		
Operating temp.	-20 to +40°C		
Beam angle	90°		
Control interface	ON/OFF		
Lifetime	L80B10 >50 000h at Ta=25°C		

AlbedoEco Back-lit Standard DALI

Material number	LSHD05PACS6340-DML	LSHD05PACSG340-DML	LSHD05PACSG343-DML
Lumen output (lm)	2 880 / 3360 / 3840 / 4200		2 880 / 3360 / 3840 / 4200 @4000K 2650 / 3100 / 3550 / 3900 @3000K
Power (W)	24 / 28 / 32 / 35 (switchable)		
Efficacy (lm/W)	Up to 120		
Dimensions (mm)	596 x 595 x 33	620 x 620 x 33	295 x 1195 x 33
CCT	4000K		3000K / 4000K
Operating temp.	-20 to +40°C		
Beam angle	90°		
Control interface	DALI 2		
Lifetime	L80B10 >50 000h at Ta=25°C		

AlbedoEco Back-lit Radiant

Material number	LSHD05PACR6340-ML	LSHD05PACRG340-ML
Lumen output (lm)	3300 / 3900 / 4500 / 5000	
Power (W)	24 / 28 / 32 / 36 (switchable)	
Efficacy (lm/W)	Up to 140	
Dimensions (mm)	595 x 595 x 31	620 x 620 x 31
CCT	4000K	
Operating temp.	-20 to +40°C	
Beam angle	90°	
Control interface	ON/OFF	
Lifetime	L80B10 >50 000h at Ta=25°C	

AlbedoEco Back-lit Radiant DALI

Material number	LSHD05PACR6340-DML	LSHD05PACRG340-DML
Lumen output (lm)	3300 / 3900 / 4500 / 5000	
Power (W)	24 / 28 / 32 / 36 (switchable)	
Efficacy (lm/W)	Up to 140	
Dimensions (mm)	595 x 595 x 31	620 x 620 x 31
CCT	4000K	
Operating temp.	-20 to +40°C	
Beam angle	90°	
Control interface	DALI 2	
Lifetime	L80B10 >50 000h at Ta=25°C	

Order Guide

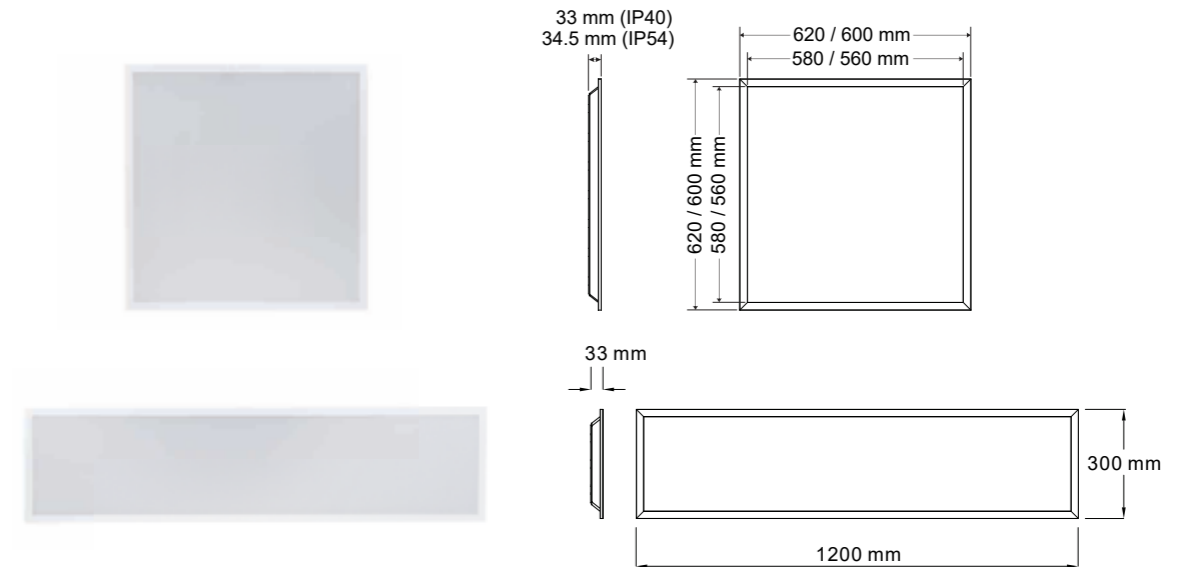
AlbedoEco Back-lit Radiant IP54

Material number	LSHD05P54R6340-ML	LSHD05P54RG340-ML
Lumen output (lm)	3300 / 3900 / 4500 / 5000	
Power (W)	24 / 28 / 32 / 36 (switchable)	
Efficacy (lm/W)	Up to 140	
Dimensions (mm)	595 x 595 x 34.5	620 x 620 x 34.5
CCT	4000K	
Operating temp.	-20 to +40°C	
Beam angle	90°	
Control interface	ON/OFF	
Lifetime	L80B10 >50 000h at Ta=25°C	

AlbedoEco Back-lit Radiant IP54 DALI

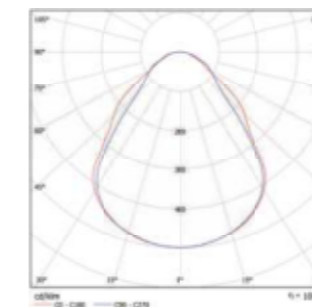
Material number	LSHD05P54R6340-DML	LSHD05P54RG340-DML
Lumen output (lm)	3300 / 3900 / 4500 / 5000	
Power (W)	24 / 28 / 32 / 36 (switchable)	
Efficacy (lm/W)	Up to 140	
Dimensions (mm)	595 x 595 x 34.5	620 x 620 x 34.5
CCT	4000K	
Operating temp.	-20 to +40°C	
Beam angle	90°	
Control interface	DALI 2	
Lifetime	L80B10 >50 000h at Ta=25°C	

Product Orientation & Dimensions



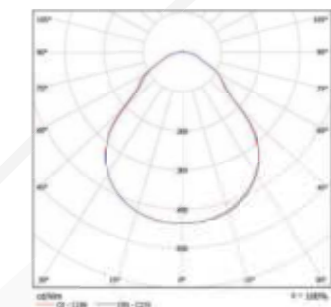
Photometry

IP40



90°

IP54



90°

Accessories



LED Panel Lighting



LED Panel Lighting

ALBEDOECO SIDE-LIT (SL)

Excellent light quality

ALBEDOECO SL RADIANT 29 W

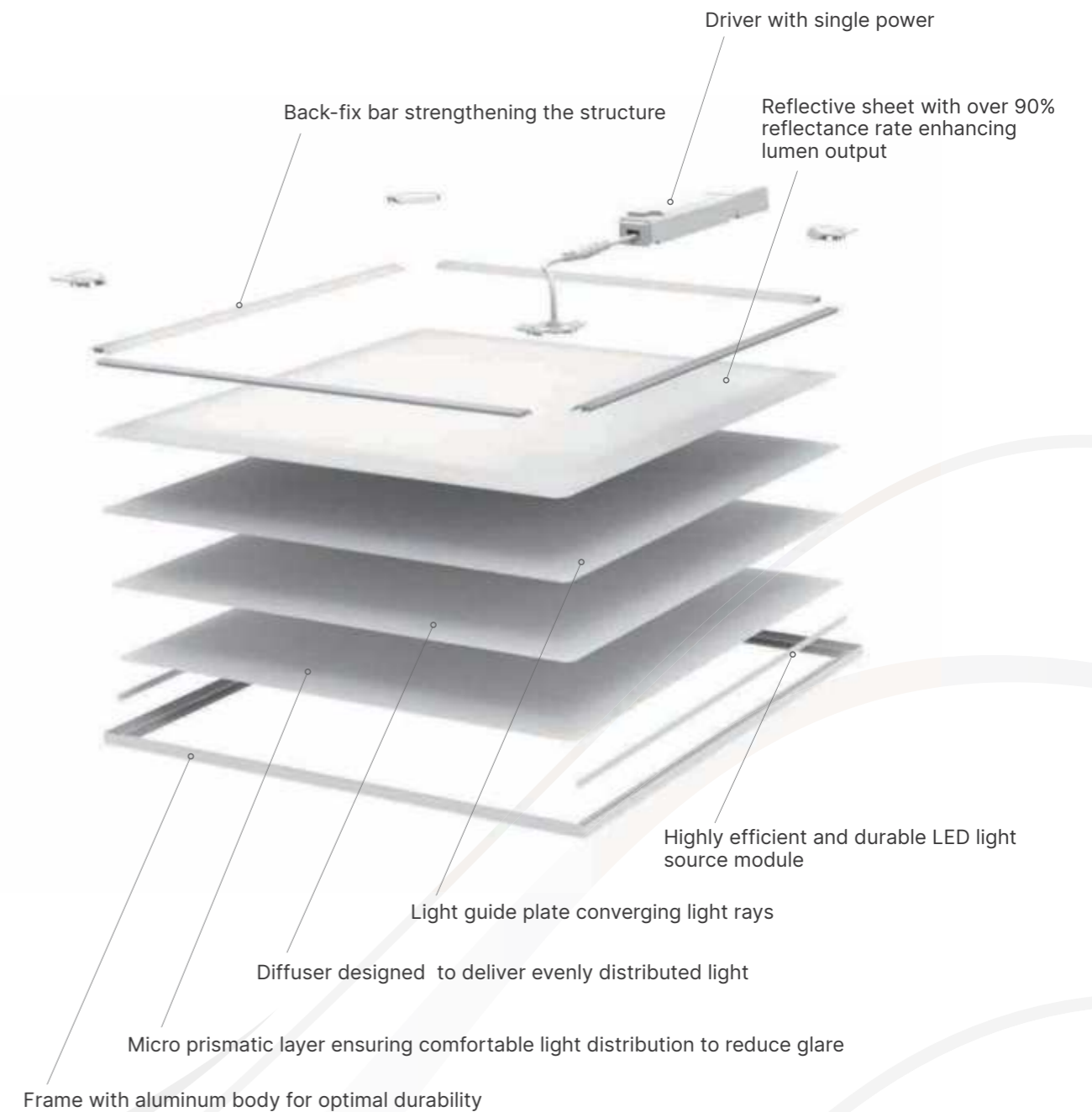
ALBEDOECO SIDE-LIT panel delivers uniform and smooth light distribution with a UGR19 rating by utilizing a micro-prismatic diffuser for ultimate glare control and visual comfort. Its ultra-thin and lightweight profile seamlessly integrates into any installation. The plug & play connector facilitates easy installation and maintenance for seamless operation.

Key Features

- Slim and lightweight for Easy Installation
- UGR19 with Micro-prismatic Diffuser
- Simple Plug & Play Connector
- With 140 lm/W Efficacy



Product Components





Technical Data

Electrical Data

Nominal wattage	29 W
Nominal voltage	220 – 240 V
Power factor	>0.9
Total harmonic distortion	<20%
Surge protection	1kV
Protection class	Class II
Driver efficiency and mounting	93%
Operating mode	ON/OFF – DALI 2 (optional)

Photometric Data

Luminous flux	4 050 lm
Luminous efficacy	140 lm/W
Color temperature	4000K
Color rendering index	>80
Standard deviation of color matching	<4 SDCM
Beam angle	90°
UGR	19

Materials & Colors

Product color	White
Housing color	White
Body material	Aluminum
Optics material	PS/PMMA
Seal material	NA

Application & Mounting

Ambient temperature range	-20 to +40°C
Ingress protection rating	IP20 (back side) / IP40 (room side)
Impact protection rating	IK02

Lifespan

Lifespan L80B10 at Ta=25°C	50 000 h
----------------------------	----------



Order Guide

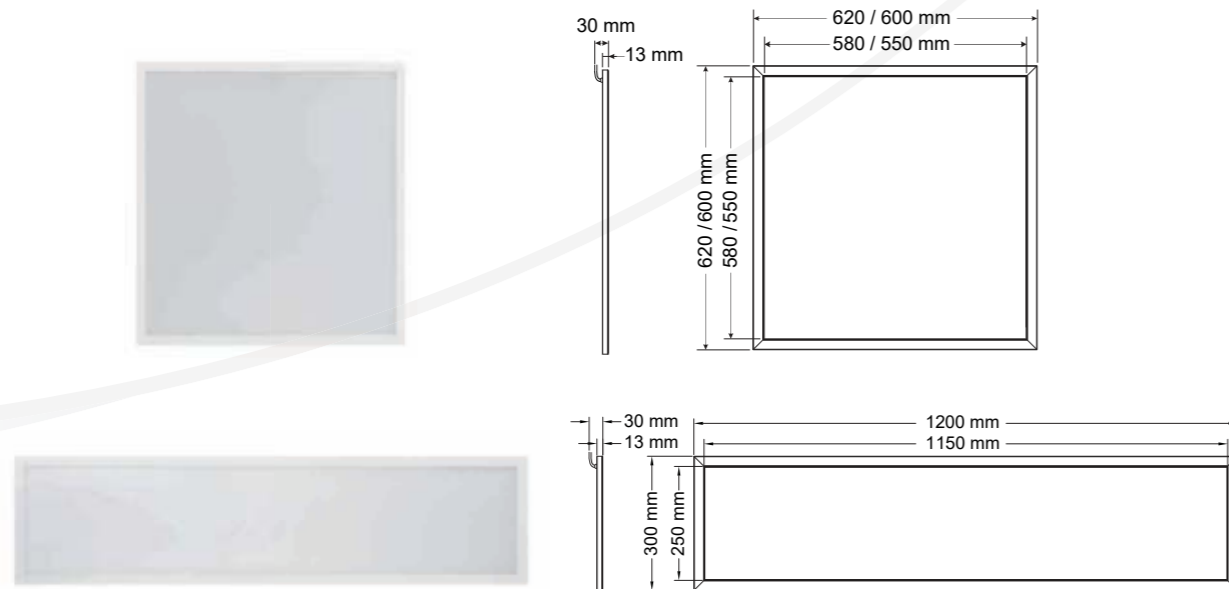
AlbedoEco Side-lit Radiant

Material number	LSHD05PSLR6240	LSHD05PSLRG240	LSHD05PSLRR240
Lumen output (lm)	4 100		
Power (W)	29		
Efficacy (lm/W)	140		
Dimensions (mm)	595 x 595 x 13	620 x 20 x 13	295 x 1195 x 13
CCT	4000K		
Operating temp.	-20 to +40°C		
Beam angle	90°		
Control interface	ON/OFF		
Lifetime	L80B10 >50 000h at Ta=25°C		

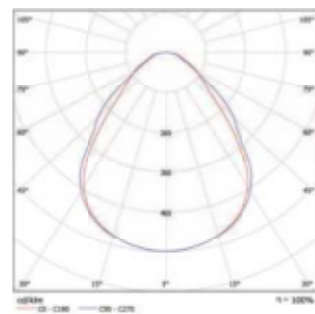
AlbedoEco Side-lit Radiant DALI

Material number	LSHD05PSLR6240-D	LSHD05PSLRG240-D	LSHD05PSLRR240-D
Lumen output (lm)	4 050		
Power (W)	29		
Efficacy (lm/W)	140		
Dimensions (mm)	595 x 595 x 13	620 x 620 x 13	295 x 1195 x 13
CCT	4000K		
Operating temp.	-20 to +40°C		
Beam angle	90°		
Control interface	DALI 2		
Lifetime	L80B10 >50 000h at Ta=25°C		

Product Orientation & Dimensions

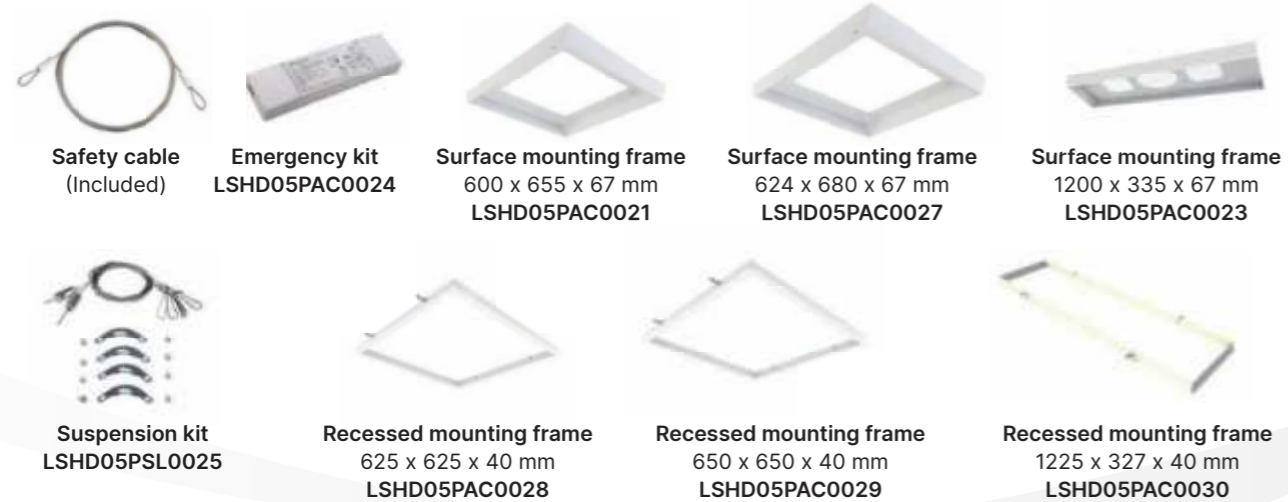


Photometry



90°

Accessories





Delta Electronics EMEA

Zandsteen 15

2132 MZ Hoofddorp, The Netherlands

TEL: +31-20-655-0900

FAX: +31-20-655-0999

For more product information and sales inquiries, please contact:

sleu@deltaww.com

www.delta-emea.com/ledlighting