

Electrical Pump



About Delta

To provide innovative, clean, and energy-efficient solutions for a better tomorrow.

Delta, founded in 1971, is a global provider of power and thermal management solutions. Its mission statement, "To provide innovative, clean and energy-efficient solutions for a better tomorrow," focuses on addressing key environmental issues such as global climate change. As an energy-saving solutions provider with core competencies in power electronics and automation, Delta's business categories include Power Electronics, Mobility, Automation, and Infrastructure.

Headquartered in Taiwan, we regularly invest over 8% of our annual sales revenues in R&D and have worldwide R&D facilities in China, Europe, Japan, Singapore, Thailand, and the U.S.

In response to the challenge of climate change, Delta will remain committed to the research and development of innovative, energy-saving products, solutions and services that contributing substantially to the sustainable development of mankind.



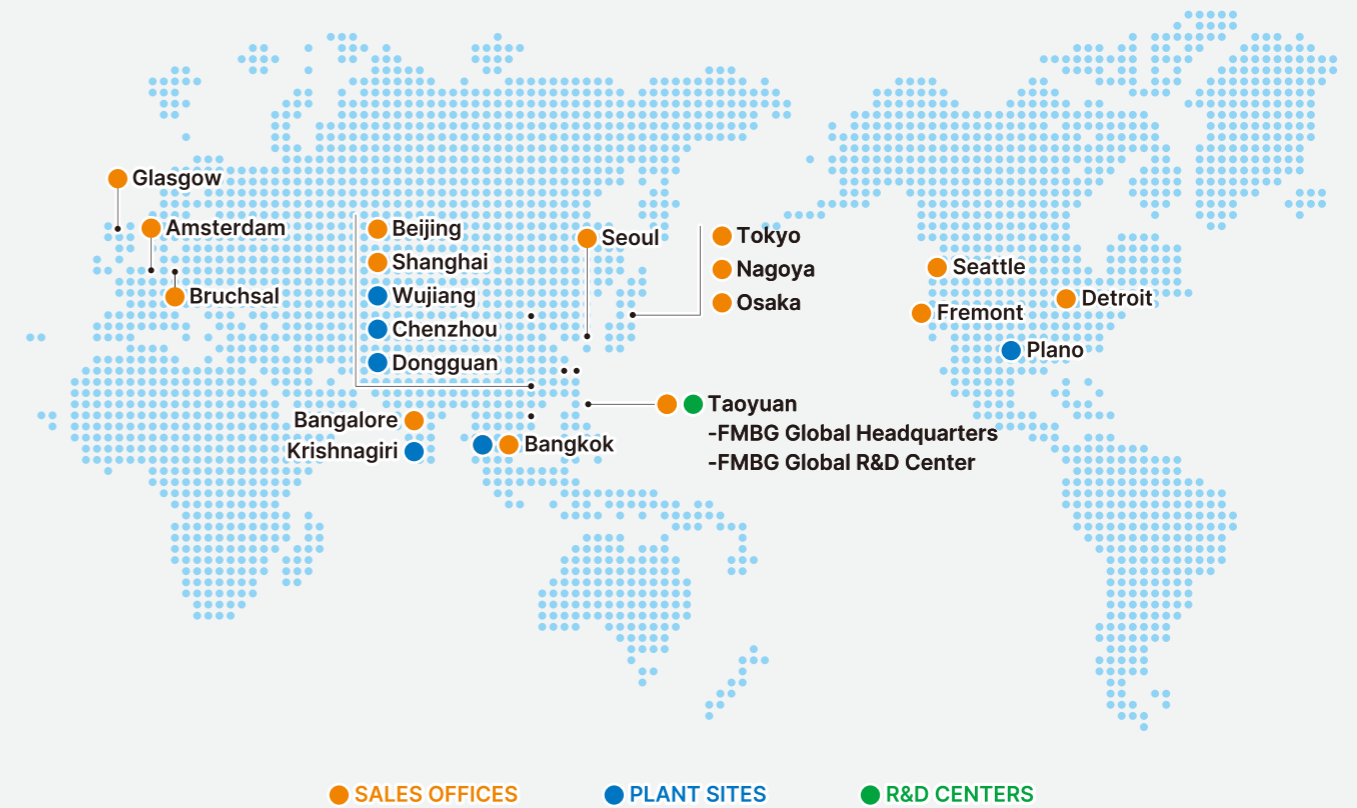
About FMBG of Delta

Temperature is a crucial variable in mechanical and industrial processes. Appropriate thermal management is critical to maximizing performance and preventing system disruptions. You can eliminate potential failure points in your systems with targeted precision cooling.

But what is thermal management, and how can it protect your business?

In addition to maintaining your system's temperature within its operating range through our air and liquid cooling technology, Delta's cutting-edge thermal electronics solutions allow your business to unlock amazing efficiency gains, reduce energy costs, and maximize performance.

The fan and thermal products have developed high-efficiency and highly reliable solutions, covering air-cooling fans, thermal devices and modules, liquid cooling solutions, and automotive thermal management. Applications include desktop computers, servers, laptops, data centers, cloud devices, communication systems, game consoles, consumer electronics, industrial inverters/motor drivers, vehicle-mounted air-conditioning HVAC, head lamp and seat fans, as well as energy-saving smart ventilation fans, heaters, and ceiling fans for residential use.



Electrical Pump

In the thermal management market, Delta is well known for fluid-machinery design. By employing advanced computational fluid dynamics (CFD) technology, optimized pumps are successfully engineered and built for our Liquid Cooling Solution. Compared with other companies, Delta's pump outperforms on all fronts with better running performance under a fixed dimension. It is also more compact with close performance.

In 2016, Delta launched our Liquid Cooling Solution line of products for the industrial and consumer industries. We have successfully provided thermal solutions on home battery charging for solar energy products, as well as high-end laser projectors with high-power-density needs. Based on these experiences, Delta developed Liquid Cooling Solution products for the ICT field beginning in 2018, and the cumulative sales of pump already achieved 120,000pcs.

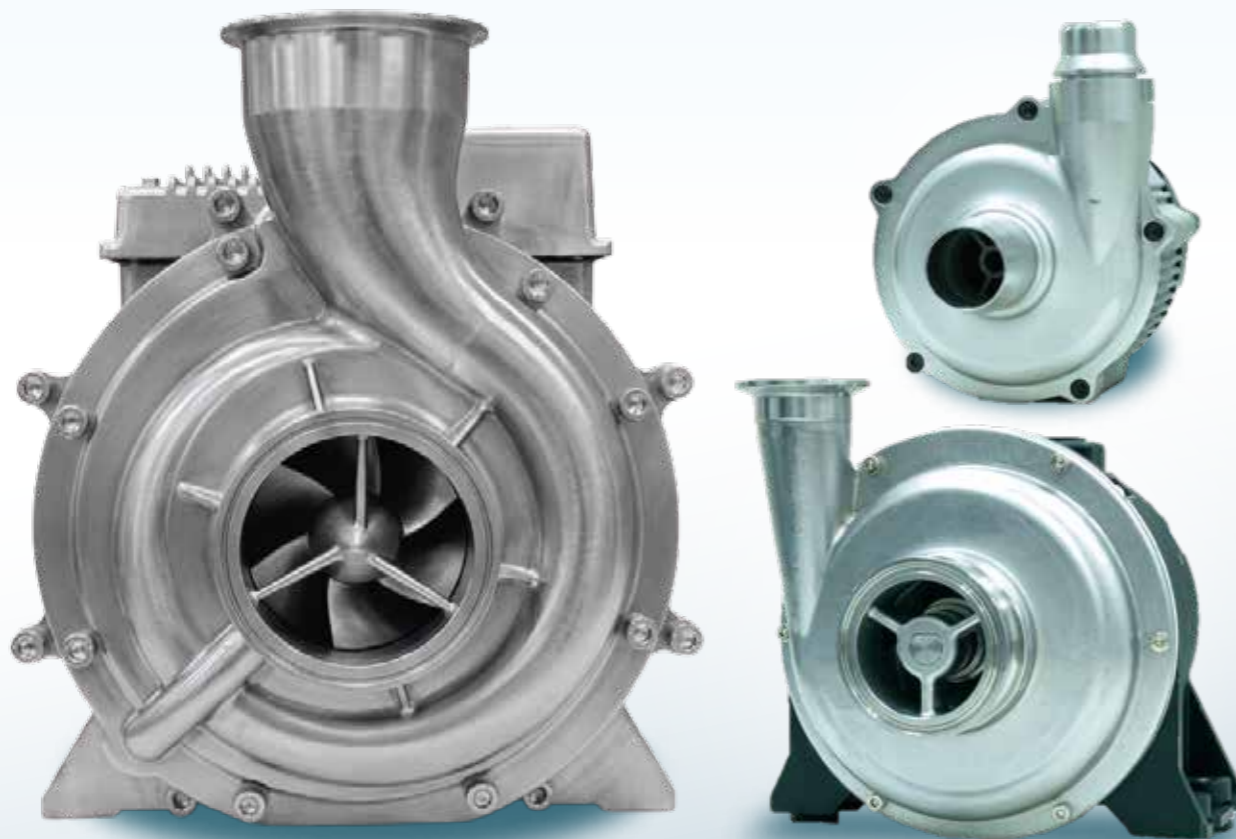
Features & Benefits

- High performance BLDC pump: BLDC motor can reach over 85% efficiency
- Low noise
- Low vibration
- Light weight: 30% lighter than other market offerings
- Compact size: Easy to fit into the limited space
- High Reliability
- IPX6
- Communication: PWM, RS-485 & UART
- CE/ TUV/ UL certified

Applications

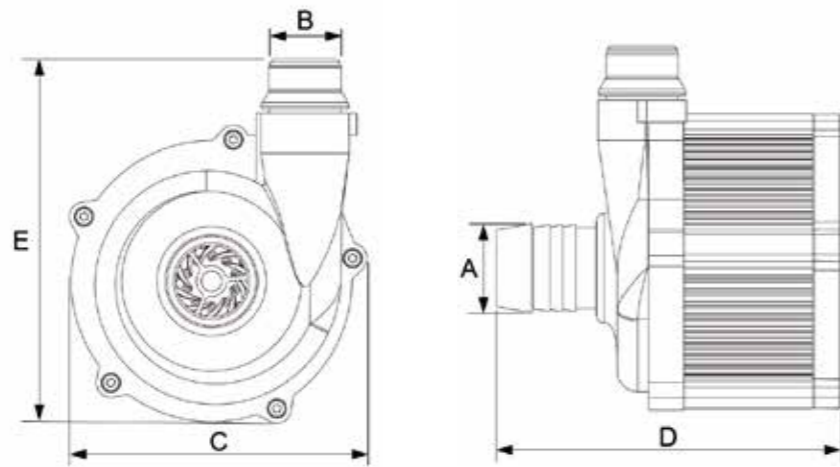
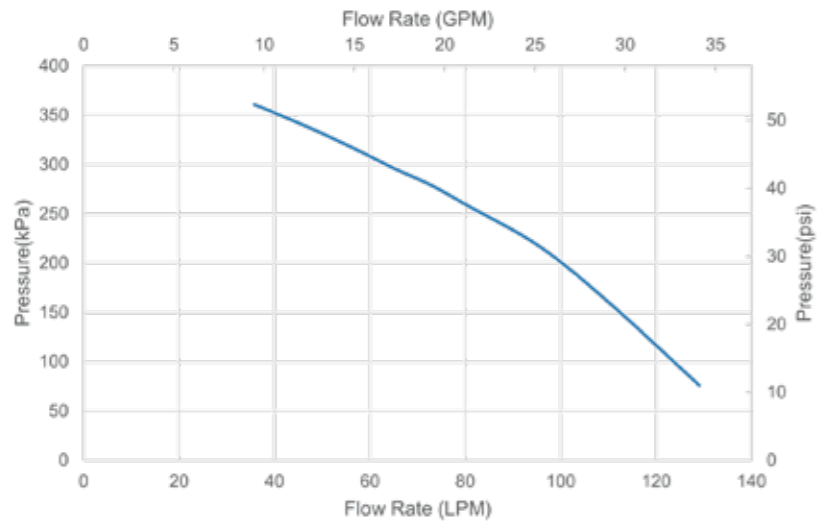
Delta pumps are designed for various applications such as:

- Data Center / AI Server
- Telecom
- Energy Storage
- Industrial



DC 48VDC Pump

- 800W

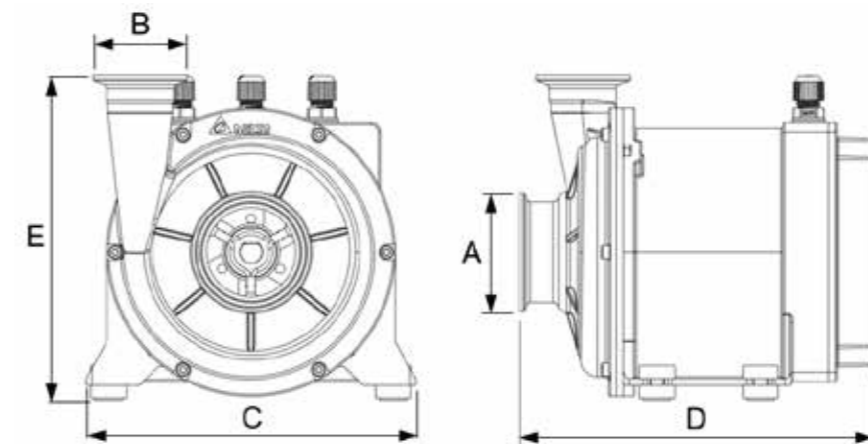
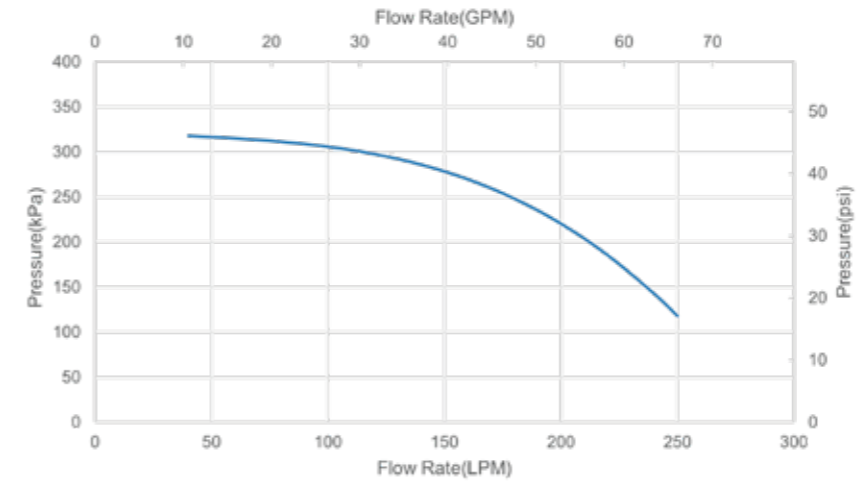


Model Name	Performance						Dimensions (mm)				
	Rated Voltage (V)	Rated Current (Amp)	Rate Power (W)	Max. Working Flow Rate (LPM / GPM)	Max. Working Pressure (kpa / psi)	Weight (kg)	A	B	C	D	E
AEP07UC15	48.0	19.2	800	129 / 34.1	355 / 51.5	2.5	Ø34.9	Ø28.3	116.0	134.8	142.4

- The max. flow rate and pressure are measured at zero flow pressure
- All reading are typical values at rated voltage
- Specifications are subject to change without notice
- Tested by PG25 coolant

DC 48VDC Pump

- 2000W

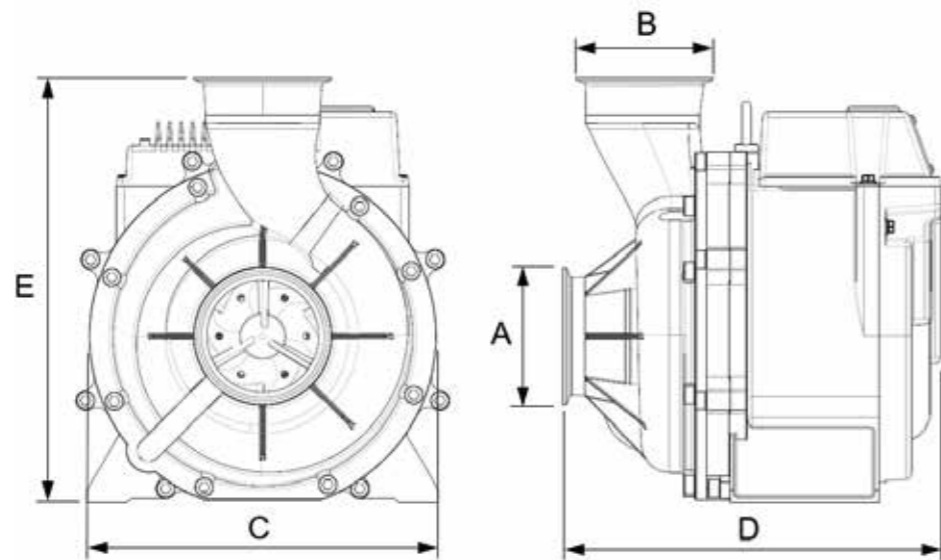
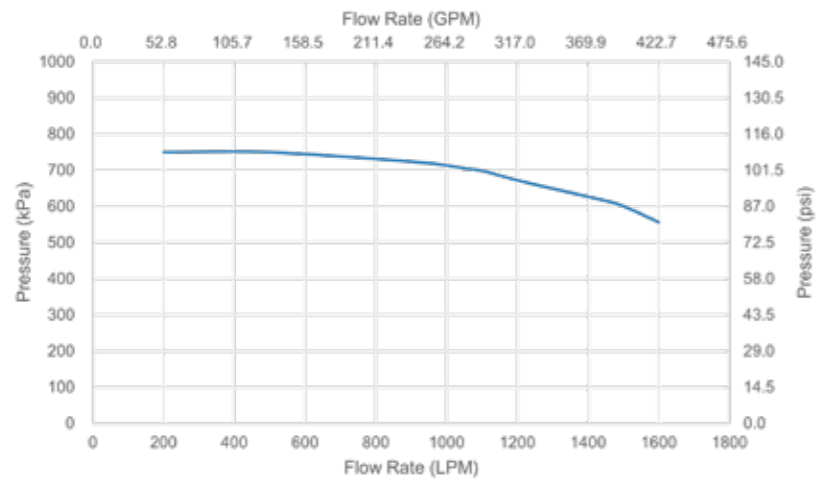


Model Name	Performance						Dimensions (mm)				
	Rated Voltage (V)	Rated Current (Amp)	Rate Power (W)	Max. Working Flow Rate (LPM / GPM)	Max. Working Pressure (kpa / psi)	Weight (kg)	A	B	C	D	E
AEP11UC15	48.0	41.6	2000	250 / 66.1	310 / 45.0	8.0	Ø64.0 (DN50)	Ø50.3 (DN32)	177.0	190.8	174.5

- The max. flow rate and pressure are measured at zero flow pressure
- All reading are typical values at rated voltage
- Specifications are subject to change without notice
- Tested by PG25 coolant

HVDC Pump

- 25KW



Model Name	Performance					Dimensions (mm)				
	Rated Voltage (V)	Rated Power (W)	Max. Working Flow Rate (LPM)	Max. Working Pressure (kpa / psi)	Weight (kg)	A	B	C	D	E
AEP15ZF31	800VDC	25K	1600	750	~ 90	Ø119 (DN100)	Ø119 (DN100)	Ø302	328.5	369

- The max. flow rate and pressure are measured at zero flow pressure
- All reading are typical values at rated voltage
- Specifications are subject to change without notice
- Tested by PG25 coolant
- Control board is outside of the pump

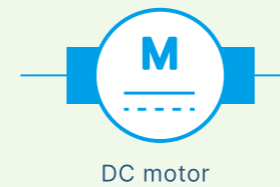
EC Pump

- Delta EC Pump vs. AC Pump

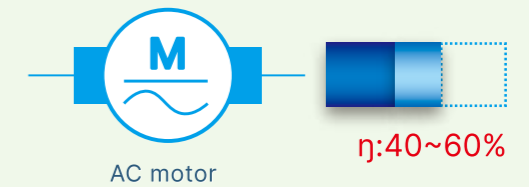
Electronically Commutated (EC) Pump

Traditional AC Pump

- Motor with higher performance

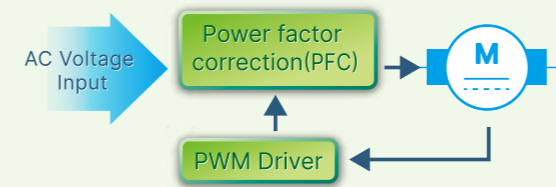


$\eta:90\%$

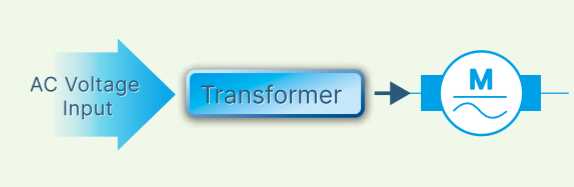


$\eta:40\sim60\%$

- Higher efficiency of speed Controller

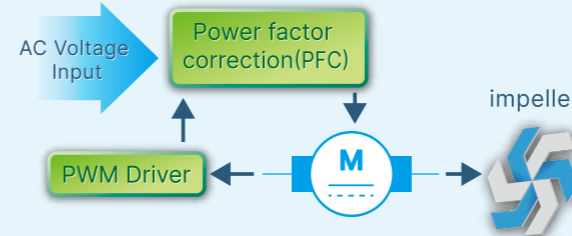


$\eta:85\%$

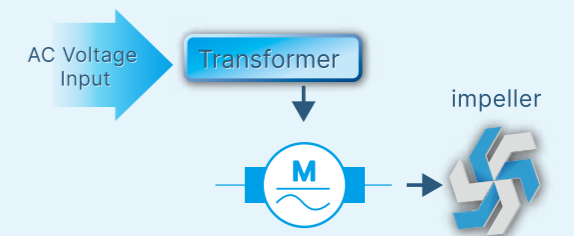


$\eta:36\sim54\%$

- Higher efficiency of impeller



$\eta:50\%$



$\eta:22\sim32\%$



Delta Electronics Inc.
252 Shangying Road, Guishan Industrial Zone, Taoyuan
County, 33341, Taiwan
TEL: +886-3-359-1968
FAX: +886-3-359-1991
www.deltaww.com

Dealer