

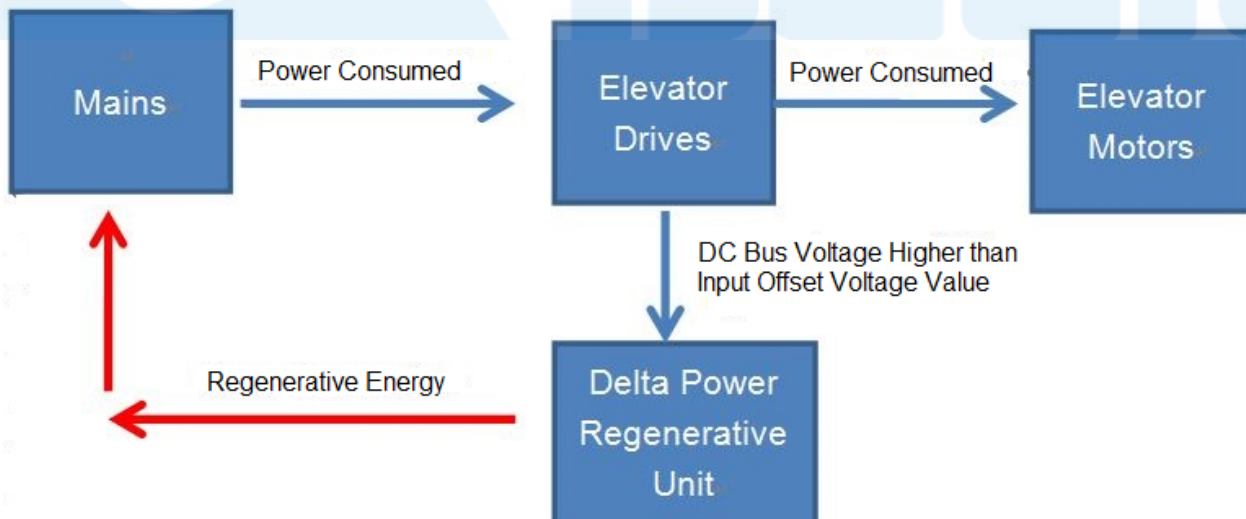
Case	Delta Industrial Automation Products for Energy- Saving Elevator Control				
Issued by	Solution Center	Date	March, 2016	Pages	3
Applicable to	Delta Multi-functional Power Meter DPM-C530A Series, Delta Power Regenerative Unit REG2000 Series				
Key words	Energy-Saving Elevators, Power, Regenerative Energy, Electricity Bill				

Delta's Power Regenerative Unit REG2000 Series regenerates energy, while the DPM-C530A Series provides precise measurement of electrical energy values and power quality parameters for optimum energy savings in elevator applications.

[About Elevators]

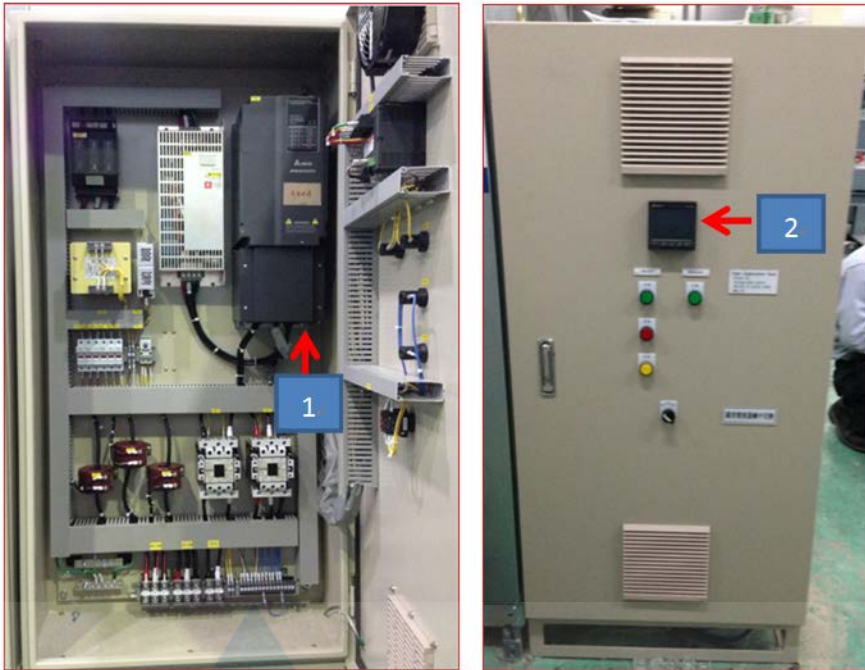
Elevators are an essential part of our lives especially for residential and office buildings. Energy-efficient elevators are important for their energy savings as well as their convenience and efficiency in moving people. Delta's Power Regenerative Unit REG2000 Series replaces traditional brake resistors. It captures the heat generated by elevators during use and converts it into usable power. The REG2000 Series resolves the overheating problem of traditional brake resistors, reducing the heat to ensure a cool elevator control room and ensuring a long lifespan for elevator facilities.

[Energy-Efficient Elevator Solution Control Flow Chart]



With solid experience and advanced technology, Delta Industrial Automation offers efficient and reliable solutions and service – we are your most trustworthy partner.

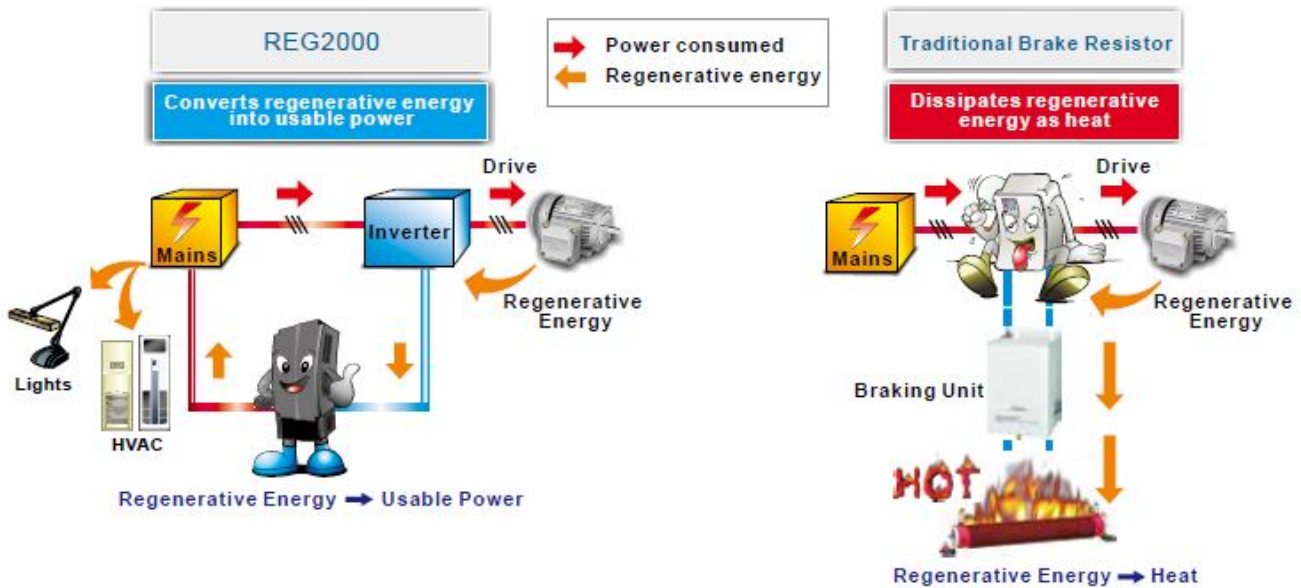
[Energy-Saving Elevator Control Cabinet]



[Delta Industrial Automation Products for Elevator Solutions]

1. Delta Power Regenerative Unit REG2000 Series

Use of Regenerative Energy: Delta REG2000 Series replaces traditional brake resistors to convert regenerative energy into usable power. In addition, the REG2000 reduces heat which lowers control room temperature and prevents overheating of electrical equipment.



With solid experience and advanced technology, Delta Industrial Automation offers efficient and reliable solutions and service – we are your most trustworthy partner.

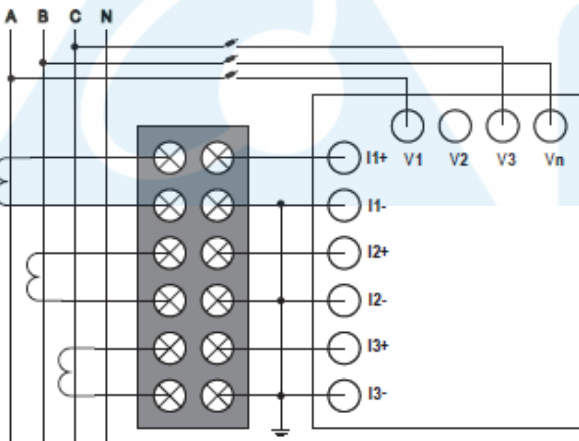
2. Multi-functional Power Meter DPM-C530A

A) DPM-C530A: Offers precise measurement of various electrical energy values, including power factor, harmonics and regenerative energy. With a history logs function and I/O expansion modules, the DPM-C530A provides exceptional communication quality and monitoring capabilities.



B) Multi-functional Power Meter DPM-C530A wiring method for elevator systems:

Three-phase three wire, Δ Delta-connection, 3 CT, No PT



[Conclusion]

Delta's Power Regenerative Unit for elevators achieves energy savings of 20%~45%, based on the actual environment, speed and function of elevators.

For more information on Delta's industrial automation products, please visit our website at:

<http://www.deltaww.com/Products/CategoryListT1.aspx?CID=06&hl=en-US>

With solid experience and advanced technology, Delta Industrial Automation offers efficient and reliable solutions and service – we are your most trustworthy partner.