



## 720 W Onboard Charger MOOV<sup>on</sup>

Compact, rugged, and easy to design into vehicles operating in harsh industrial environments.

- Supports all leading battery types
- High efficiency up to 94%
- Compact design
- Convection cooled



Industrial



Logistics

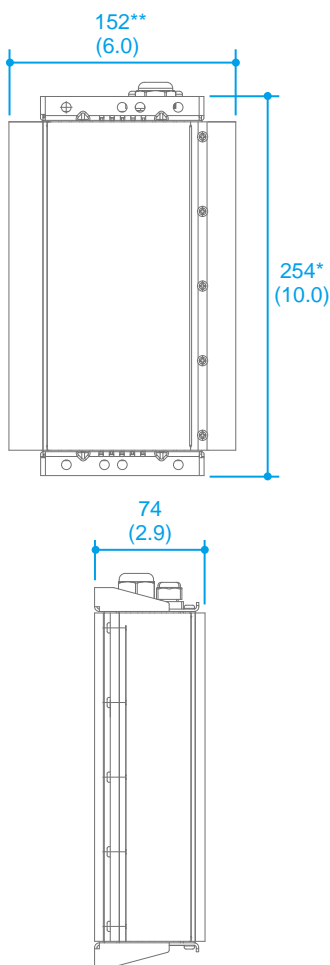


Utility  
Vehicles



## Features

- Compact design suitable for applications where space is limited
- The full 720 W is available over a wide range of operating conditions
- CAN bus control for integration into smart vehicle systems
- Verified profiles for all types lead acid and lithium batteries
- Battery temperature sensing to fine tune charging
- Designed to withstand the harsh shock and vibration requirements of industrial vehicles
- Sealed housing can be used in wet or polluted environments



Dimensions in mm (inches)  
 \* 48 V model is 274 mm (10.8)  
 \*\* Short fin model is 126 mm (5.0)

© Copyright – Delta Energy Systems (Germany) GmbH – All rights reserved. All information and specifications can be modified without prior notice.

## Specifications

Part Number	720 W	
<b>AC Input</b>		
AC Input Rated Voltage	110 to 240 V <sub>AC</sub> 1 PH	
AC Input Voltage Range	85 to 265 V <sub>AC</sub>	
AC Input Frequency	50 / 60 Hz (45 to 65 Hz)	
Maximum AC Input Current	8.0 A	
Power Factor (100% Load)	0.99	
Efficiency (100% Load)	≥ 90%	
<b>DC Output</b>		
	24 V model	36 V / 48 V model
DC Output Voltage Range	5 to 35 V <sub>DC</sub>	8 to 70 V <sub>DC</sub>
DC Output Voltage Accuracy	± 1%	
Maximum Charge Current	30 A	15 A
Load Current Accuracy	± 2%	
Maximum Output Power	720 W	
Battery Type	Lead acid (Wet / AGM / GEL), Lithium Ion	
<b>Environmental Conditions</b>		
Operating Temperature	-10 °C to +55 °C (+14 °F to 131 °F) <sup>1)</sup>	
Storage Temperature	-40 °C to +85 °C (-40 °F to +185 °F)	
Relative Humidity	15% to 95%, non-condensing	
Maximum Operating Altitude	2,000 m (6,651 ft)	
Protection Degree	IP65	
<b>Mechanical Design</b>		
	24 V model	36 V / 48 V model
Dimensions (L x W x H)	254 x 152 <sup>2)</sup> x 74 mm (10.0 x 6.0 x 2.9 in)	274 x 152 <sup>2)</sup> x 74 mm (10.8 x 6.0 x 2.9 in)
Weight	3.4 kg (7.5 lbs)	3.5 kg (7.7 lbs)
Cooling	Natural convection, no fan	
LED Indicators	Yes <sup>3)</sup>	
Communication Connector	Molex MX150 for CAN bus	
AC Input Connector	IEC 60320 / C16	
DC Output Connector	1.3 m 12 AWG cable, M10 ring terminals	
Remote Temperature Sensor	Yes	
<b>DC Output Protection and Reliability</b>		
Over Voltage Protection	Yes	
Over Current Protection	Yes	
Short Circuit Protection	Yes	
Over Temperature Protection	Yes	
Reverse Protection	Yes	
Output Fuse	Yes	
Interlock	5A continuous, protected	
<b>Approvals</b>		
Safety	UL1564 / CSA C22.2 107.2-01, IEC 60950-1, IEC 62368-1	
Safety Marks	UL / cCSAus / CE / RCM	
Protection Class	1	
EMC Emissions	FCC Part 15 Subpart B, EN 61000-6-4 (EN 55011/32)	
EMC Immunity	EN 61000-6-2	
Harmonic Currents	EN 61000-3-2	
RoHS	Yes	
CEC	Yes	

1) Derating above 40 °C (104 °F), 30 °C (86 °F) for short fin version

2) Short fin model is 126 mm (5.0)

3) Via optional accessory



More information

### Delta Energy Systems (Germany) GmbH

Tscheulinstrasse 21, 79331 Teningen

E-mail: IEV.sales@deltawww.com

[www.deltawww.com](http://www.deltawww.com)

2021 / 6 Version 2.1

